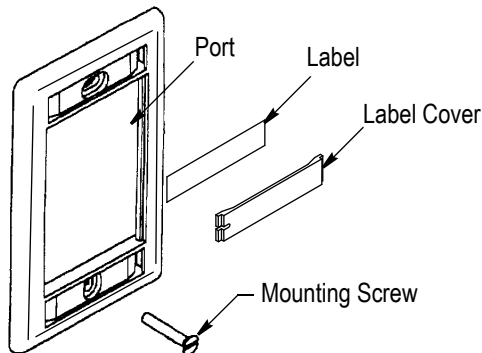


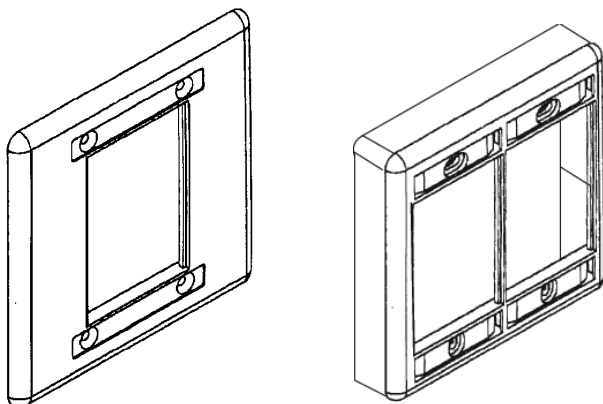


Single-Gang Faceplate Kit
1339118-[]



Double-Gang Faceplate Kit
1339119-[]

Double-Gang Faceplate Kit
149486-[]



Note: Dash number indicates color of faceplate.

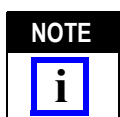
- 1 Light Almond -4 Gray
- 2 Black 1--1 Electrical Ivory
- 3 White

Figure 1

1. INTRODUCTION

This instruction sheet provides installation and removal procedures for the SL Series faceplate kits shown in Figure 1.

Each faceplate accepts SL Series jacks, MT-RJ optical fiber jacks, an assortment of SL Series jacks and inserts, 110Connect modular jacks and inserts, and blank modules (1.5 and 1 unit high).



The 3-port angled module accepts all unshielded SL Series jacks and SL Series inserts. The 2-port straight and angled modules accept all SL Series jacks and inserts plus all 110Connect modular jacks and inserts.

Reasons for reissue of this instruction sheet are provided in Section 5, REVISION SUMMARY.

2. DESCRIPTION

Each kit consists of a faceplate, mounting screws (one per mounting hole), label, and label cover. Refer to Figure 1. Each port of the faceplate accepts two (1.5 units high) or three (1 unit high) front-loaded modules.

3. INSTALLATION

3.1. Faceplate

1. Route the wires through the port of the faceplate.
2. Align the faceplate mounting holes with the screw holes of electrical box. Install and hand tighten the mounting screws to secure the faceplate to the box.

3.2. Jack

1. Terminate the jack according to instructions packaged with the jack.
2. Align the terminated jack with the back of the selected module. Insert the jack at a slight angle with the stationary latch on the rail of the module. Gently pivot the jack until the movable latch engages onto the opposed rail and snaps into place. See Figure 2.

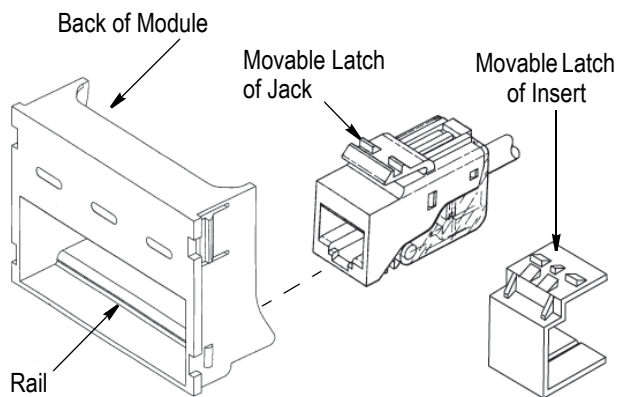


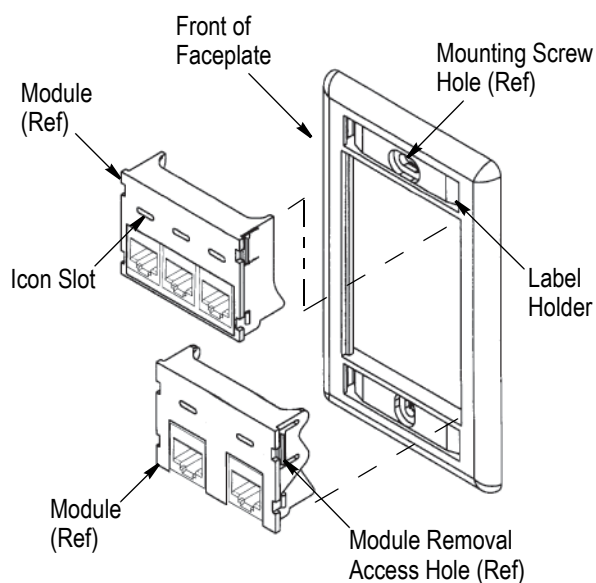
Figure 2

3.3. Insert (See Figure 2)

1. Install the proper connection to the rear of the insert.
2. Align the insert with the back of the selected module.
3. Install the insert at a slight angle with the stationary latch on the rail of the module. Gently pivot the insert until the movable latch engages onto the opposed rail and snaps into place.
4. Install blank inserts into the ports that are not used.

3.4. Module (See Figure 3)

1. From the front of the faceplate, position the loaded module in the port and snap it into place. Repeat this step as needed.
2. Install blank modules (1.5 or 1 unit high) into the faceplate where loaded modules are not used.
3. Secure the faceplate to the box by installing and tightening the mounting screws.
4. Install the label and label cover into the label holder. If applicable, install standard icons into the flashed-over icon slots (not included).



Note: For clarity, cables are not shown.

Figure 3

4. REMOVAL

4.1. Module

To remove a module from the faceplate:

1. Insert a screwdriver tip into the module removal access hole (upper latch on 1.5 unit high and lower latch on 1 unit high, refer to Figure 3) and gently release the latch.
2. Using the screwdriver tip in the remaining access holes, gently remove the module from the faceplate.

4.2. Jack and Insert

To remove a jack or insert from the module:

1. Insert a screwdriver tip over the moveable latch and pry down slightly to release the latch.
2. Pull the jack or insert out of the module.

5. REVISION SUMMARY

Revisions to this instruction sheet include:

- Changed company logo
- Updated instruction sheet to corporate requirements
- Added AMP NETCONNECT logo and website
- Rebranded to CommScope