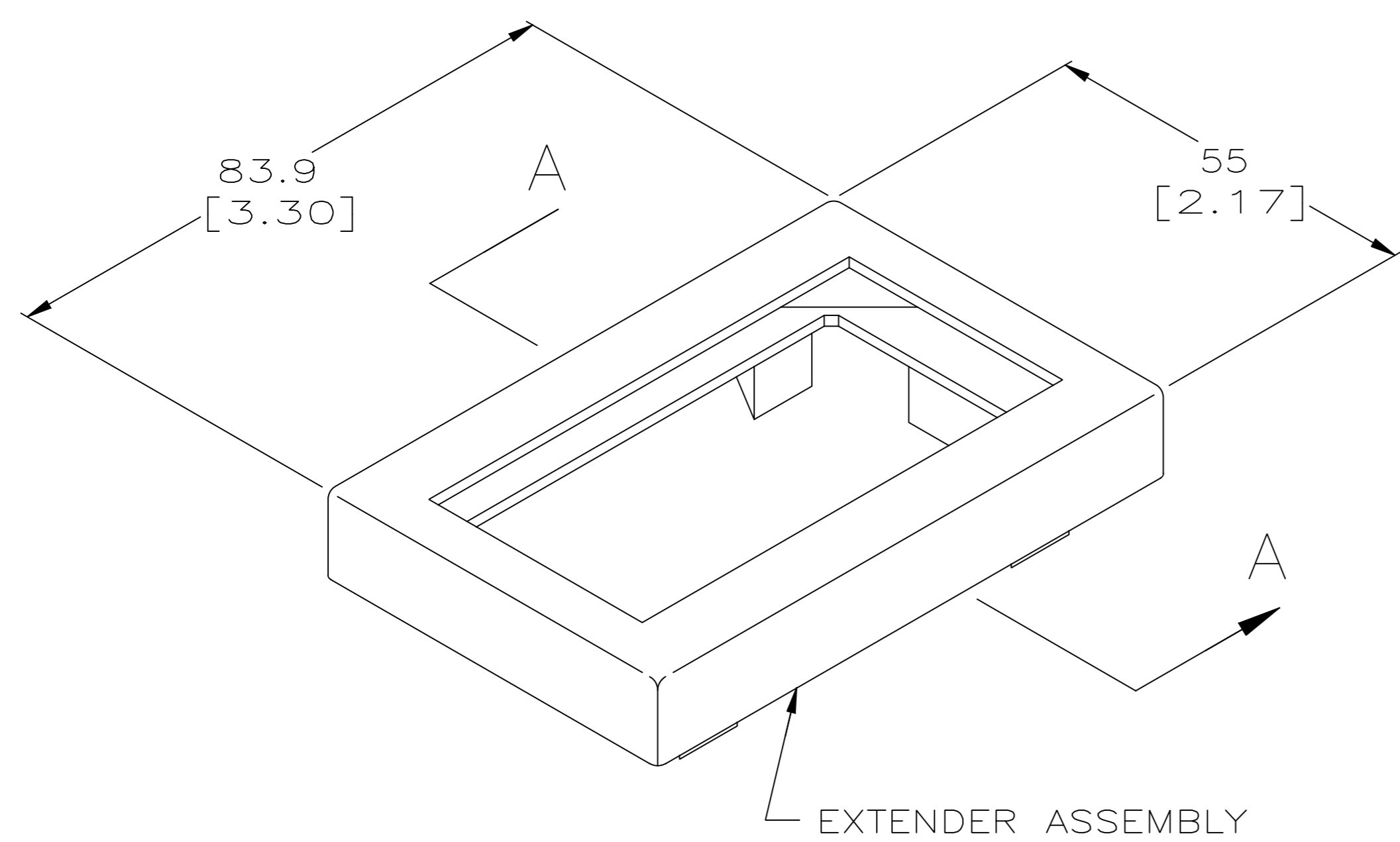


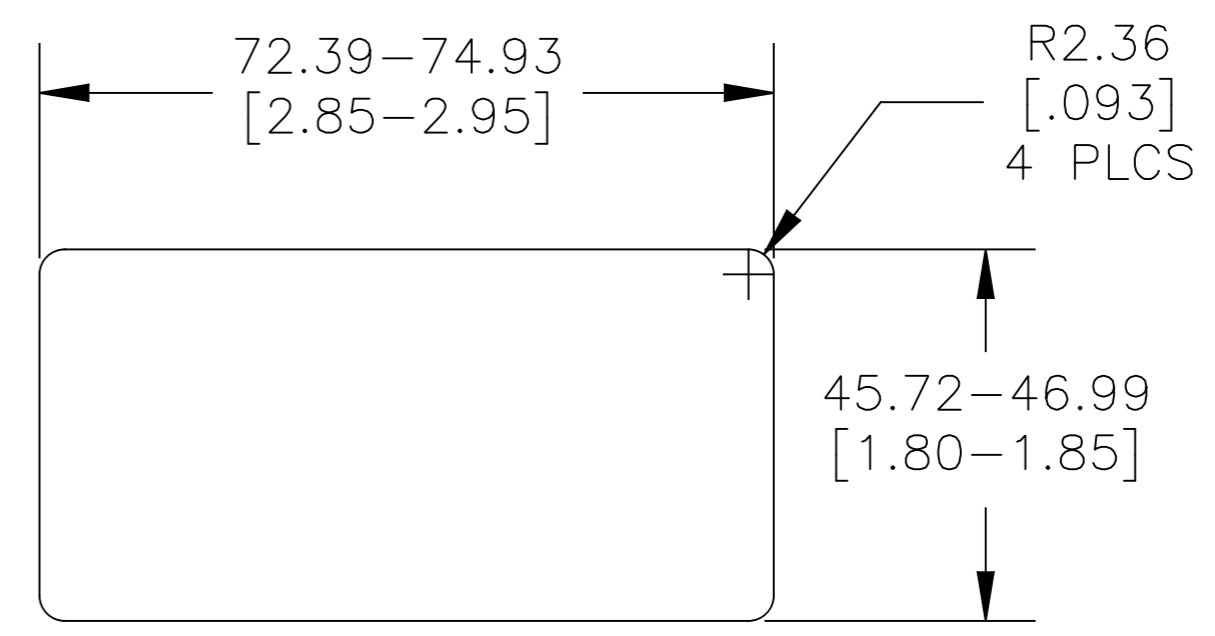
THIS DRAWING IS UNPUBLISHED. RELEASED FOR PUBLICATION - , - .

© 2016 Commscope, INC. Confidential NOTICE: These drawings and specifications are the proprietary property of COMMSCOPE, INC. and may be used only for the specific purpose authorized in writing by COMMSCOPE, INC.

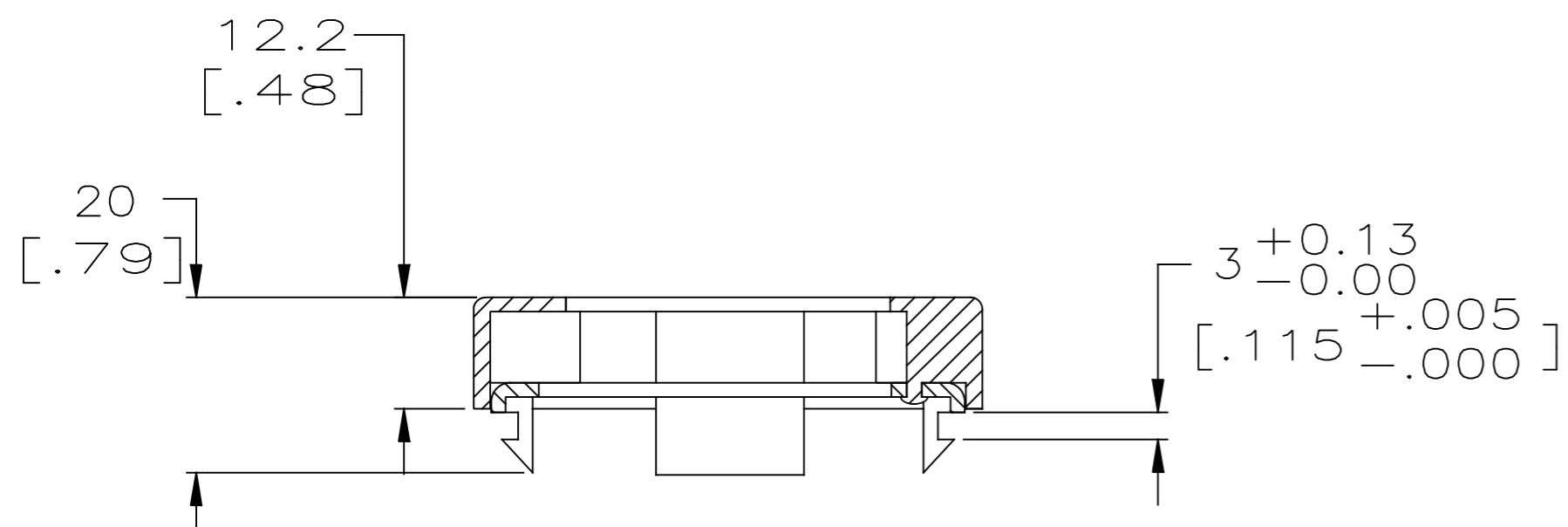
LOC	DIST	REVISIONS					
		P	LTR	DESCRIPTION	DATE	DWN	APVD
HM	00		C	REV ECO-15-002162	11FEB2015	GG	RA
			D	REV PER BNS_CD_BRAND	16JAN2017	GG	DC



- 1. DIMENSIONS ARE MAXIMUM UNLESS OTHERWISE SPECIFIED.
- 2. MATERIAL: EXTENDER ASSEMBLY— POLYCARBONATE MOLDING COMPOUND, 94V-0 RATED, SEE TABLE FOR COLOR. TUBING— BLACK POLYOLEFIN.
- 3. KIT SHIPPED NOT ASSEMBLED EXCEPT AS SHOWN.
- 4. KIT INCLUDES TUBING — NOT SHOWN.



RECOMMENDED PANEL CUTOUT
SCALE: 1:1



SECTION A—A
ROTATED 30° CCW

NEMA GRAY	558488-4
LIGHT ALMOND	558488-2
BLACK	558488-1
COLOR	PART NO.

THIS DRAWING IS A CONTROLLED DOCUMENT.		DWN K. TILLMAN/UTA 3-28-94	COMMSCOPE, INC.		
		CHK D. HUSSEY 3-28-94			
DIMENSIONS: INCHES	TOLERANCES UNLESS OTHERWISE SPECIFIED:	APVD — 3-28-94 J.KILPATRICK	NAME EXTENDER KIT, HERMAN MILLER, FLEXMODE		
	0 PLC ± - 1 PLC ± - 2 PLC ± - 3 PLC ± - 4 PLC ± - ANGLES ± -	PRODUCT SPEC — 3-28-94 D. MARGO	SIZE A3	CAGE CODE —	DRAWING NO C=558488
MATERIAL 	FINISH —	APPLICATION SPEC —	RESTRICTED TO —		
CUSTOMER DRAWING			SCALE 1:1	SHEET 1 OF 1	REV D