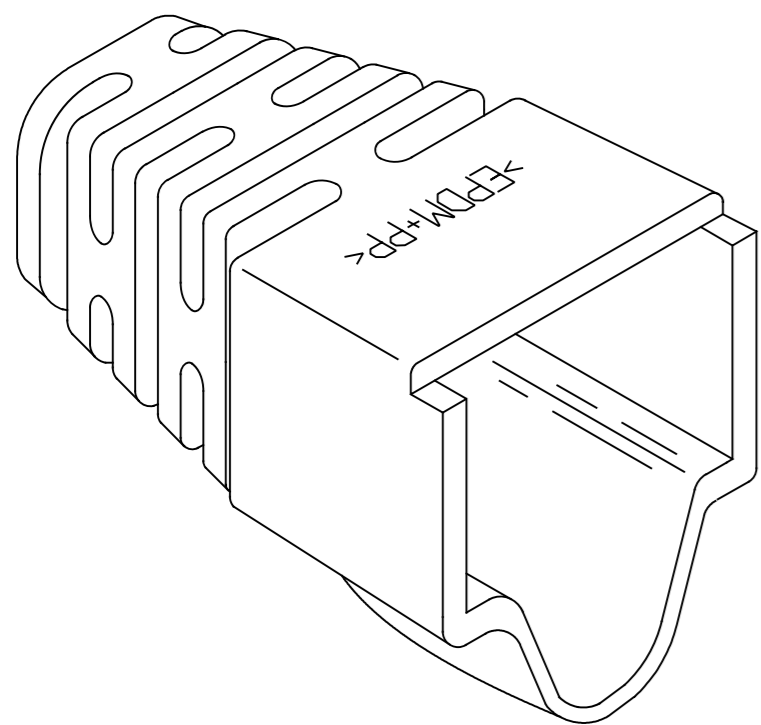
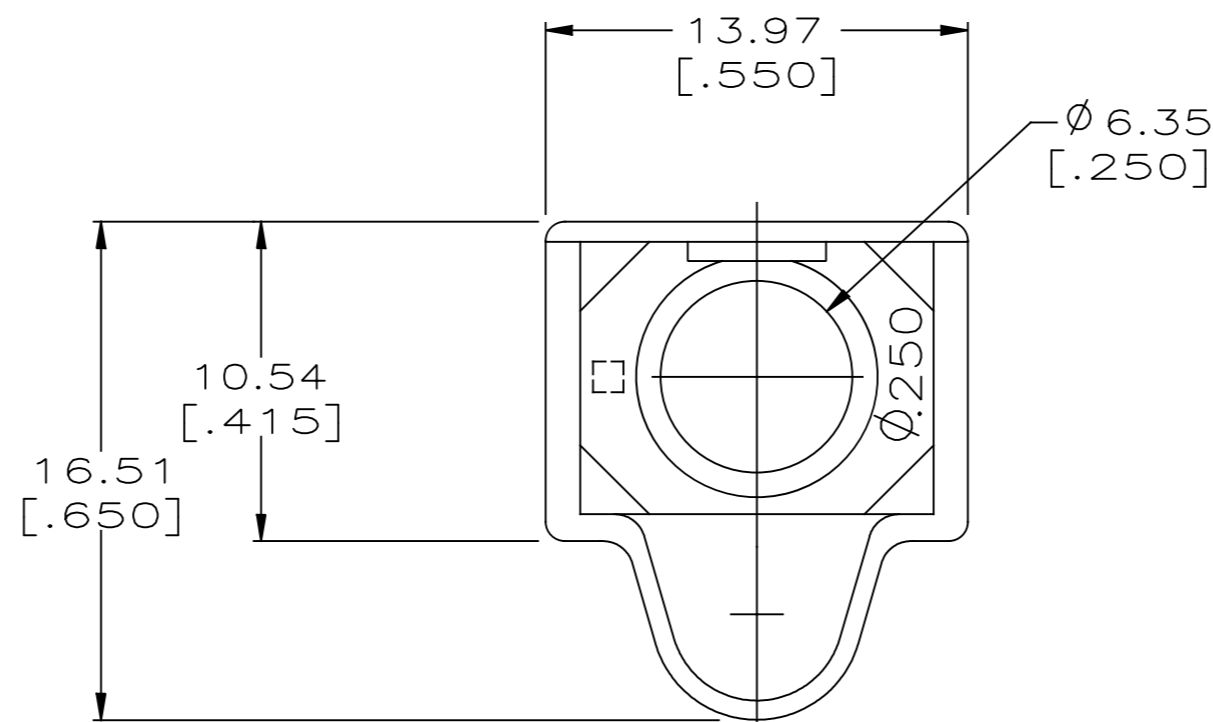
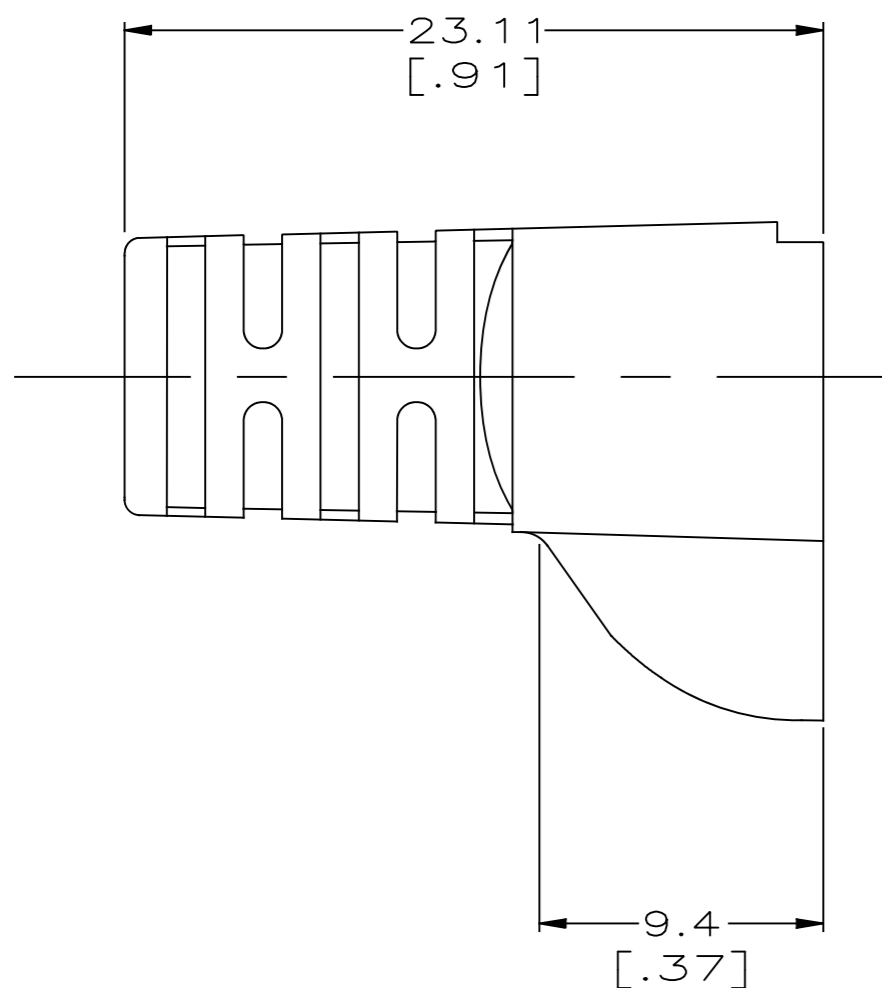


THIS DRAWING IS UNPUBLISHED. RELEASED FOR PUBLICATION  
 © 2016 Commscope, INC. Confidential  
 NOTICE: These drawings and specifications are the proprietary property of COMMSCOPE, INC. and may be used only for the specific purpose authorized in writing by COMMSCOPE, INC.

REVISIONS					
P	LTR	DESCRIPTION	DATE	DWN	APVD
	A2	ECO-13-012375	01AUG2013	JM	JG
	B	REV PER BNS_CD_BRAND	20JAN2017	GG	DC



- 1 MATERIAL: ELASTOMER POLYOLEFIN, SEE TABLE FOR COLOR.
- 2 DIMENSIONS ARE NOMINAL UNLESS OTHERWISE SPECIFIED.
- 3. BOOT DESIGNED TO FIT CABLE DIAMETER OF .250 NOMINAL, AMP SHIELDED MODULAR PLUGS AND EXTERNAL STRAIN RELIEF 558527-3.



NEMA GY	1-569877-0
VIOLET	569877-9
WHITE	569877-8
ORANGE	569877-7
YELLOW	569877-6
BLUE	569877-5
GREEN	569877-4
RED	569877-3
LT ALMOND	569877-2
BLACK	569877-1
COLOR	PART NUMBER

THIS DRAWING IS A CONTROLLED DOCUMENT.

DWN DL DRUMMOND 22 FEB 96	<b>COMMSCOPE, INC.</b> NAME BOOT, HOODED, $\phi$ .250 - SIZE CAGE CODE DRAWING NO RESTRICTED TO A2 - C=569877 - SCALE 4:1 SHEET 1 of 1 REV B
CHK D. AHERON 07 MAR 96	
APVD B. ANTHONY 07 MAR 96	
PRODUCT SPEC APPLICATION SPEC	
DIMENSIONS: mm[INCHES] 	TOLERANCES UNLESS OTHERWISE SPECIFIED: 0 PLC ± - 1 PLC ± - 2 PLC ± - 3 PLC ± - 4 PLC ± - ANGLES ± - FINISH -
MATERIAL 	WEIGHT - CUSTOMER DRAWING