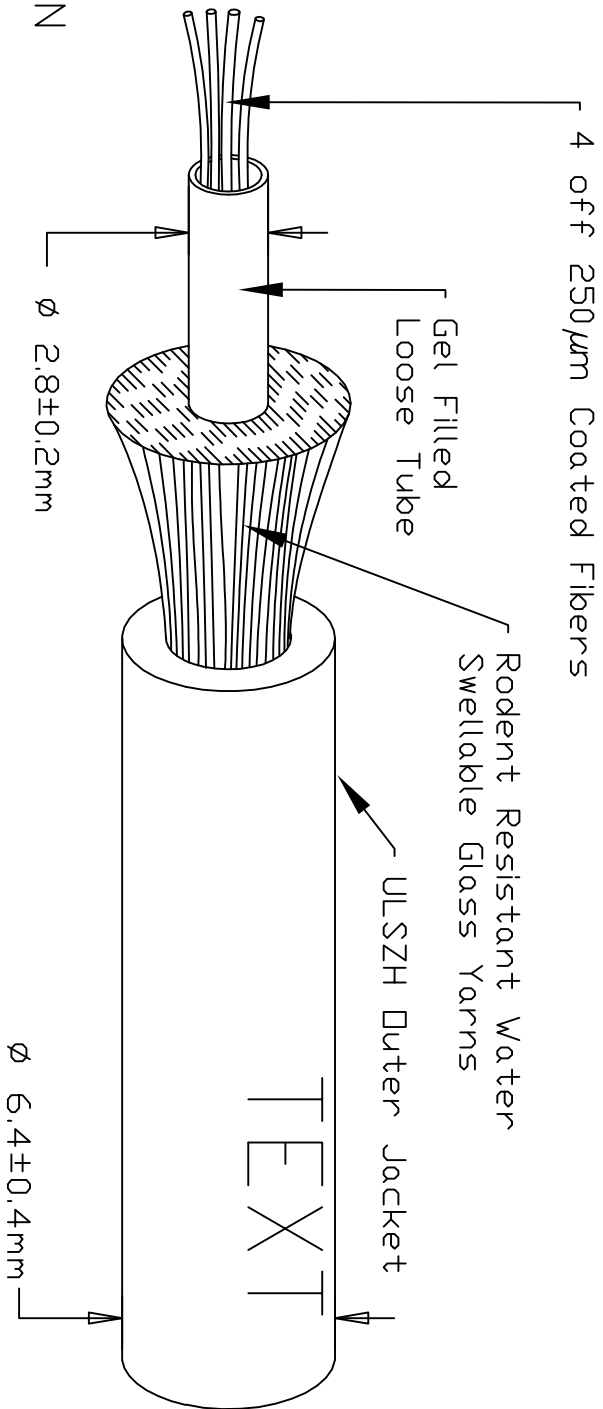


CABLE SPECIFICATION



LTR	REVISION RECORD	DATE	DWN	APVD
A	EH00-1940-98	20NOV98	MWH	MWH
B	JZ00-0002-02	29JUL02	LT	AG
C	JZ00-0007-03	30APR03	LT	AG
D	JZ00-0012-05	22MAR05	PS	AG
E	ECR-09-000108	07JAN09	JD	AG
F	ECR-10-008865	27APR10	LST	AG
G	ECR-12-019033	27MAY14	LST	AG
H	MCD 40033817	08NOV16	NM	DJW

- 4 off 250µm Primary coated fibers
Colours: Blue, Orange, Green & Brown
All four fibers contained inside one loose tube (OD=2.8±0.2mm)
Gel filled tube, Colour as per table
- Tight jacket construction with loose tube inside Rodent Resistant water swellable Glass yarns, evenly spaced & helically wound
Low Smoke Zero Halogen outer jacket (OD=6.4±0.4mm)
Jacket colour as per table
- Outer Jacket Text to be indelibly marked in contrasting colour every meter
Text Height: 2.0mm to 4.0mm high. Acc. 101-131550 method C.
Example (excluding Reel No. & Meter Mark)
'COMMSCOPE GB OPTDBEND SYSTEM F.D. CABLE X-599622-3 INT/EXT RODDENT RESIST GLT 4x50/125 DM3'
- Mechanical properties of cable
Tested ACC: IEC 60794-1
Nominal weight: 48Kg/km
Minimum installation bend radius: 130mm
Minimum service bend radius: 80mm
Maximum installation tension: 1250N
Maximum operating tension: 650N
Maximum crush resistance: 1000N/10cm
Operating temperature range: -20 to +70°C
Internal / External Grade
LDW SMOKE ZERO HALOGEN material to be compliant with:
Water Absorption: IEC 60811-1 (2mg/cm² 10Days @ 70°C)
Smoke Emission: IEC 61034
Acid Gas Emission: IEC 60754-1
Toxicity: NES 60713
Fire Propagation: IEC 60332-1 & 60332-3

5. To meet the requirements of COMMSCOPE environmental specification 138-702

OPTDBEND SYSTEM IN THE PRINT ONLY APPLIES TO FIBRE TYPES MARKED WITH AN ASTERIX *

Part Number Prefix	No:	Length
	1-	1Km
	2-	2Km
	3-	3Km
	4-	4Km

Dimensions: MM	TOLERANCES UNLESS OTHERWISE SPECIFIED:	Drawn: J. DYER 07 Jan 09	Checked: D. WALKER	Approved: A. GIBBONS	
Orange	Grey	2.90/0.70	250/600	62.5/125 DM1+	X-599622-9
Yellow	Blue	0.37/0.25	Singlemode	G657A2 BI *	X-599622-8
Orange	Orange	2.50/0.70	500/500	50/125 DM2 BI *	X-599622-7
Orange	Orange	2.50/0.70	600/1200	50/125 DM2+	X-599622-6
Orange	Grey	2.90/0.70	200/600	62.5/125 DM1	X-599622-5
Yellow	Blue	0.37/0.25	Singlemode	9/125 DS2	X-599622-4
Aqua	Orange	2.50/0.70	1500/500	50/125 DM3 BI *	X-599622-3
Aqua	Orange	2.50/0.70	3500/500	50/125 DM4 BI *	X-599622-2
Yellow	Blue	0.37/0.25	Singlemode	G657A1 BI *	X-599622-1
Outer Jacket Colour	Loose Tube Colour	Max cable fibre attr. loss dB/Km @ 850/1300nm for multimode and @ 1310/1550nm for singlemode	Minimum bandwidth @ 850/1300nm for multimode	Fibre Type	Part number

COMMSCOPE
Commscope Connectivity UK Ltd
Kimmel Park, Bodelwyddan, Denbighshire, LL18 5TZ

FD CAB I/E RR GLT X4
Fiber Optic Cable Int/Ext
Rodent resist GLT X4
Scale: N/A
Drawing No: C-599622
Sheet: 1 of 1
Rev: H