

# Installation Instructions

## Mounting Kit For Attaching UMW/UMWD/HBX 65° Antennas to DB800TREE Universal Tree Stand UMWD-TREEKIT

*Andrew Institute offers installation training.*

### GENERAL INFORMATION

The UMWD-TREEKIT is used to attach up to three antennas to a DB800TREE mounting stand. Figure 1 shows an example of the type of antennas that are compatible for use with this kit.

Refer to the parts list shown in Table 1 to verify that all parts are in the kit before installation. Refer to Table 2 for recommended tools to install and use this kit.

Item	Qty.	P/N	Description
1	6	622284	Bracket
2	18	204000-102	M8x1.25x20mm SST Hex Bolt
3	18	204003-6	M8 Helical Lock Washer, SST Passivate
4	1	622292	UMWD Tree Spacer Ring
5	1	100622-47	M5x12mm SCR SHCS Hexsock SST
6	1	100521-19	M5 Flat Washer SST
7	1	100522-19	M5 Split Lock Washer SST
*8	1	601584	Molybdenum Disulfide Grease-5cc Tube

\*Not shown in figures.

*Table 1. UMWD-TREEKIT Parts.*

Qty.	Description
1	13mm Open End Wrench (for M8 hardware)
1	13mm Socket Ratchet Wrench and Extension (for M8 hardware)
1	Tape Measure
1	M5 Hex Key
1	Level

*Table 2. Recommended Tools.*

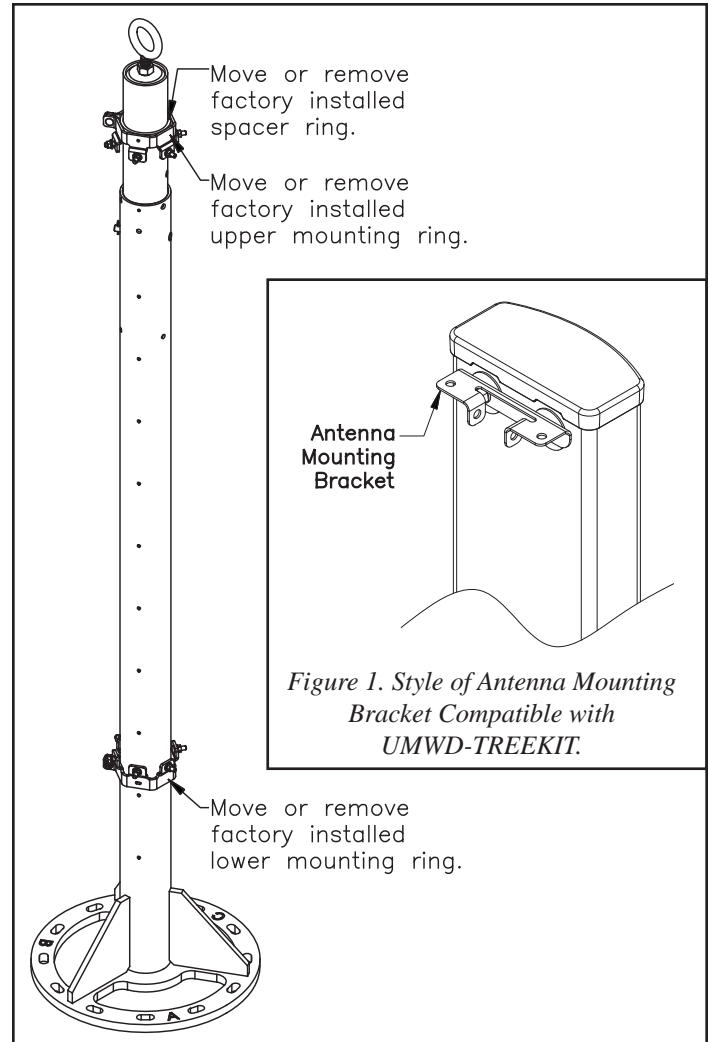
### NOTICE

The installation, maintenance, or removal of an antenna requires qualified, experienced personnel. Andrew installation instructions are written for such installation personnel. Antenna systems should be inspected once a year by qualified personnel to verify proper installation, maintenance, and condition of equipment.

Andrew disclaims any liability or responsibility for the results of improper or unsafe installation practices.

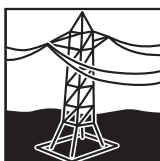
### KIT ASSEMBLY AND INSTALLATION INSTRUCTIONS

1. Move the factory installed mounting rings and spacer ring on the DB800TREE stand out of the way of where the antennas will be mounted (or remove them, if desired) (Figure 2).



*Figure 2. Moving or Removing Mounting Rings.*

*(continued on page 2)*



Do not install near power lines. Power lines, telephone lines, and guy wires look the same. Assume any wire or line can electrocute you.



Do not install on a wet or windy day or when lightning or thunder is in the area. Do not use metal ladder.



Wear shoes with rubber soles and heels. Wear protective clothing including a long-sleeved shirt and rubber gloves.

(Continued from page 1)

2. Slide the UMWD spacer ring (Item 4, Table 1) onto the DB800TREE stand. Position the spacer ring in the location where the top UMWD-TREEKIT bracket assembly will be mounted on the stand.
3. Attach one of the brackets (Item 1, Table 1) to the spacer ring using the M5 hardware provided (Items 5, 6, and 7 in Figure 3 and Table 1).
4. Using the M8 hardware provided, loosely connect two brackets to the bracket that is fixed to the spacer ring. (Figure 4 and Table 1).
5. Fold the brackets around the spacer ring facing downward (Items 1 and 4, Figure 4 and Table 1). Secure the bracket with the M8 hardware provided.
6. Position the bracket assembly at the desired location on the top level of the stand with appropriate azimuth alignment. Tighten M8 Hardware to secure the location of the mount on the pipe.
7. Tighten all hardware after bracket components are assembled. Recommended torque for M8 Hardware is 16 N-m (12 lb-ft).
8. Invert the remaining three brackets to face upward, and loosely connect two of the brackets to the third bracket using the M8 hardware provided (Items 1, 2, and 3 in Table 1).
9. Fold the inverted brackets around the lower portion of the stand so that the assembly faces upward and secure with the M8 hardware provided (Figure 5).
10. Loosely position the bottom bracket assembly below the top bracket assembly at a distance that allows space for the antenna (Figures 5 and 7). Leave the bottom bracket assembly loose enough to slide down the pipe at a later stage. Align the bottom bracket assembly as nearly as possible to the same azimuth as the top bracket assembly. Use a level along the side of the antenna to ensure the antenna is truly vertical.

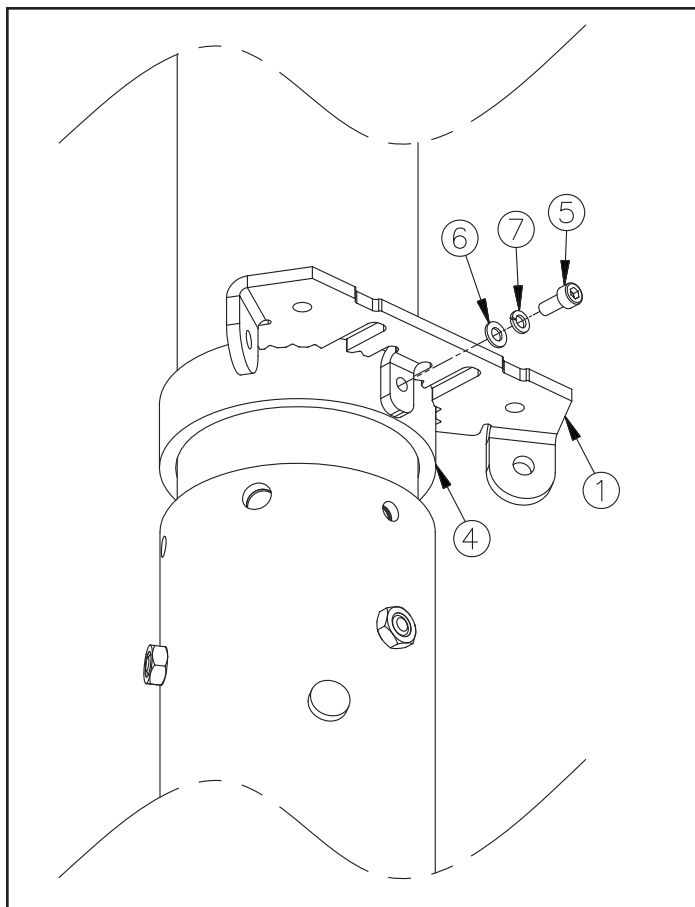
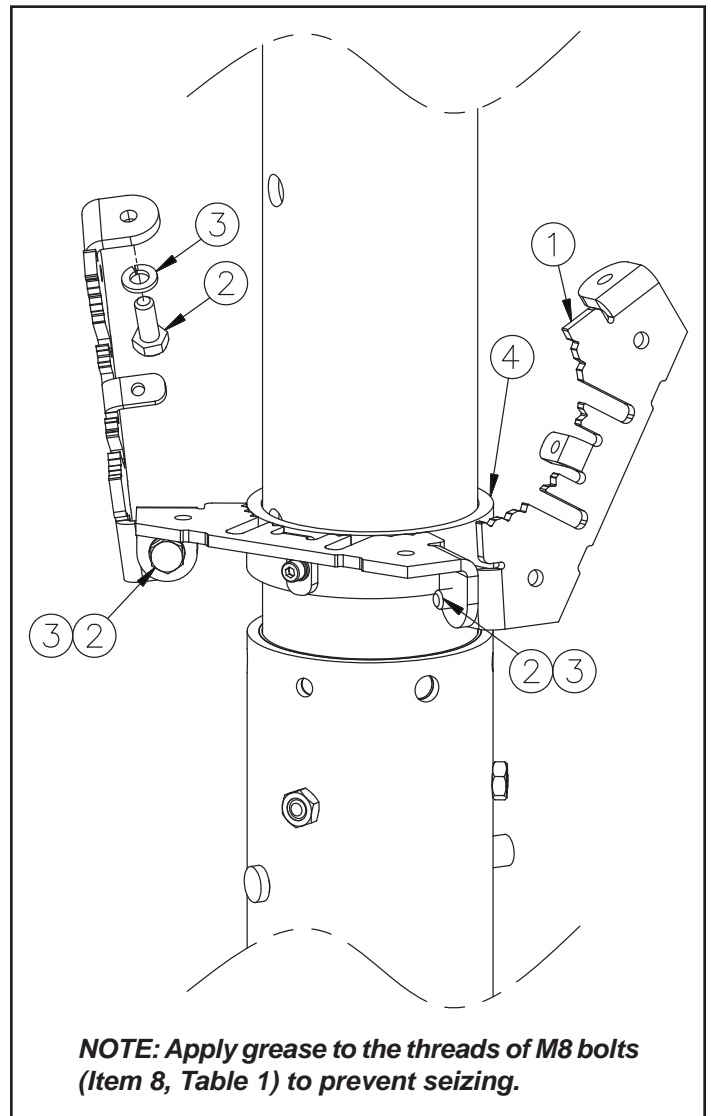


Figure 3. Attaching UMWD-TREEKIT Bracket to UMWD Spacer Ring..



**NOTE: Apply grease to the threads of M8 bolts (Item 8, Table 1) to prevent seizing.**

Figure 4. Assembling Top UMWD-TREEKIT Bracket Assembly.

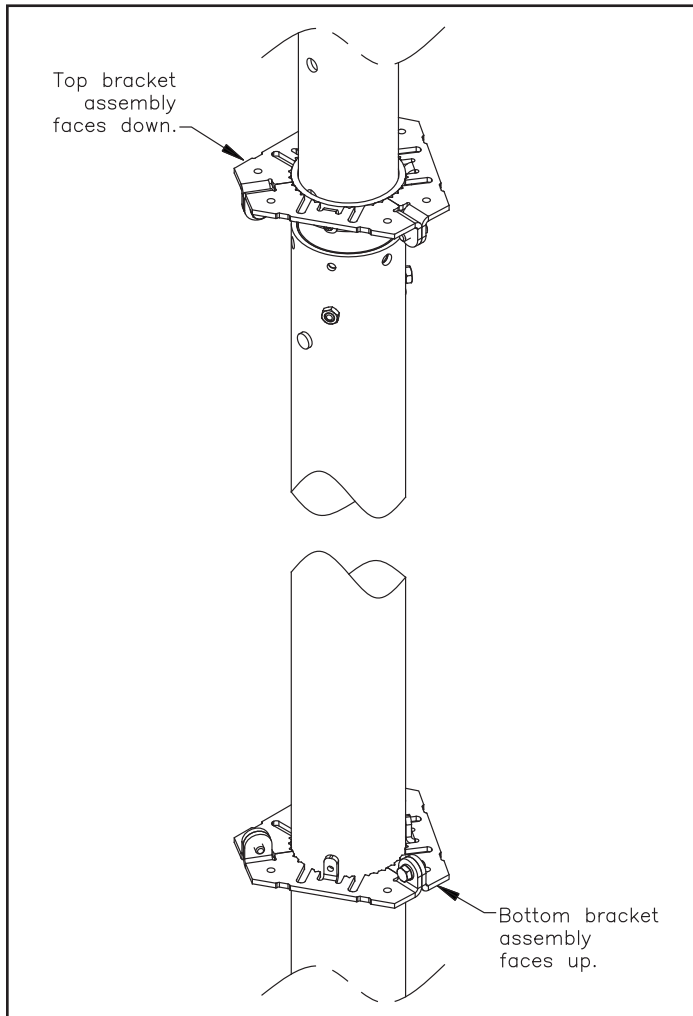


Figure 5. Top and Bottom UMWD-TREEKIT Bracket Assemblies Mounted to Universal Tree Stand.

**ATTACHING THE ANTENNAS TO THE UNIVERSAL TREE STAND**

1. Insert the tabs from the antenna bracket into the slots on the top UMWD-TREEKIT bracket assembly. Secure the top antenna bracket in place using M8 hardware provided (Figure 6 and Table 1).
2. Repeat Step 1 for the remaining two antennas.
3. Reposition the bottom UMWD-TREEKIT bracket assembly to engage the tabs of the lower antenna mounting brackets of all three antennas with the slots (Figure 7). Note that the bottom bracket assembly will be facing upward.
4. Tighten the hardware for the bottom UMWD-TREEKIT bracket assembly to the pipe.
5. Secure the antennas to the bottom UMWD-TREEKIT bracket assembly using the M8 hardware provided (Figure 6 and Table 1)

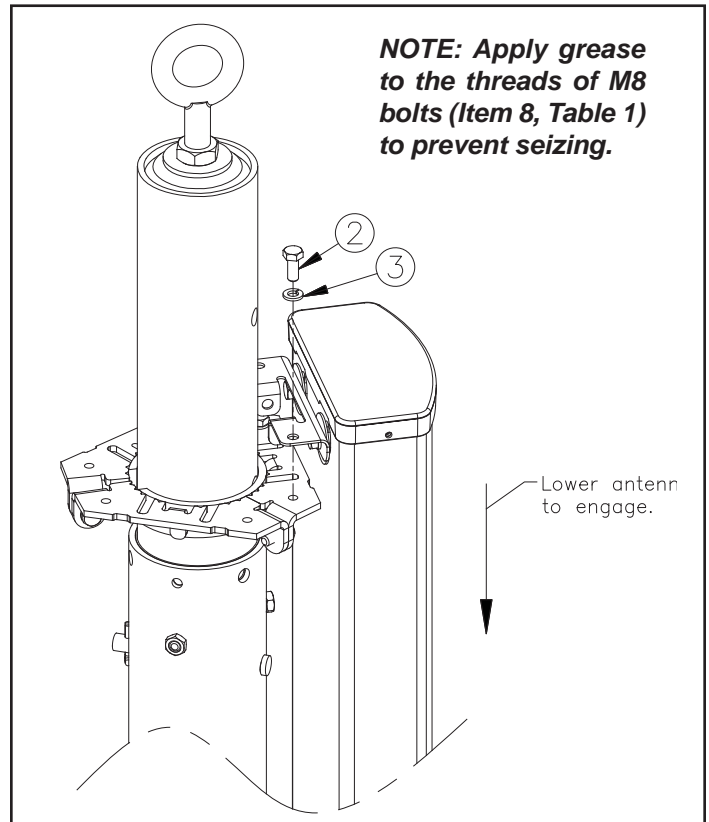


Figure 6. Attaching Antenna to Top Bracket Assembly.

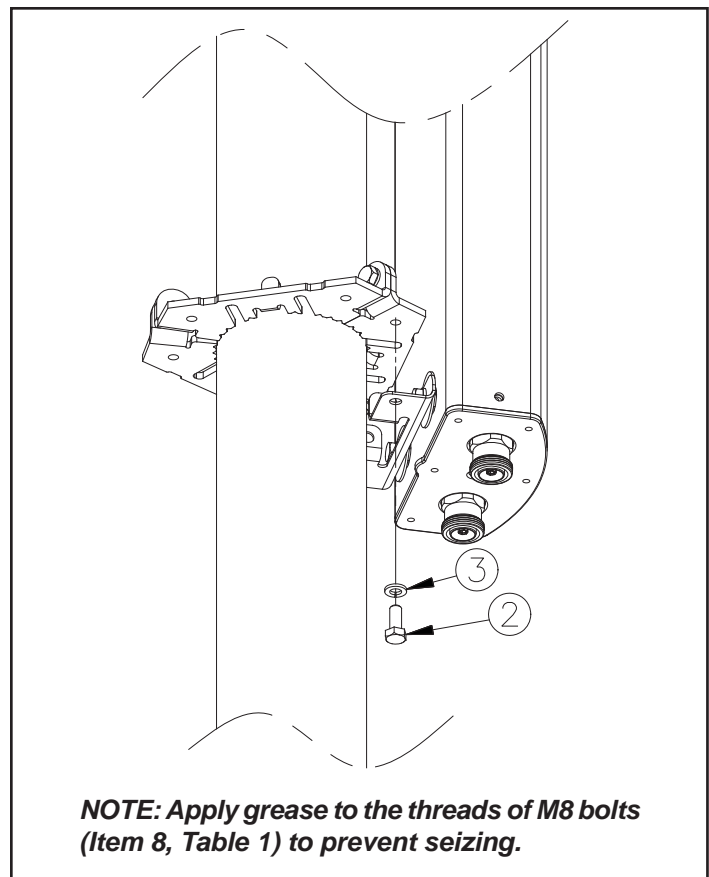
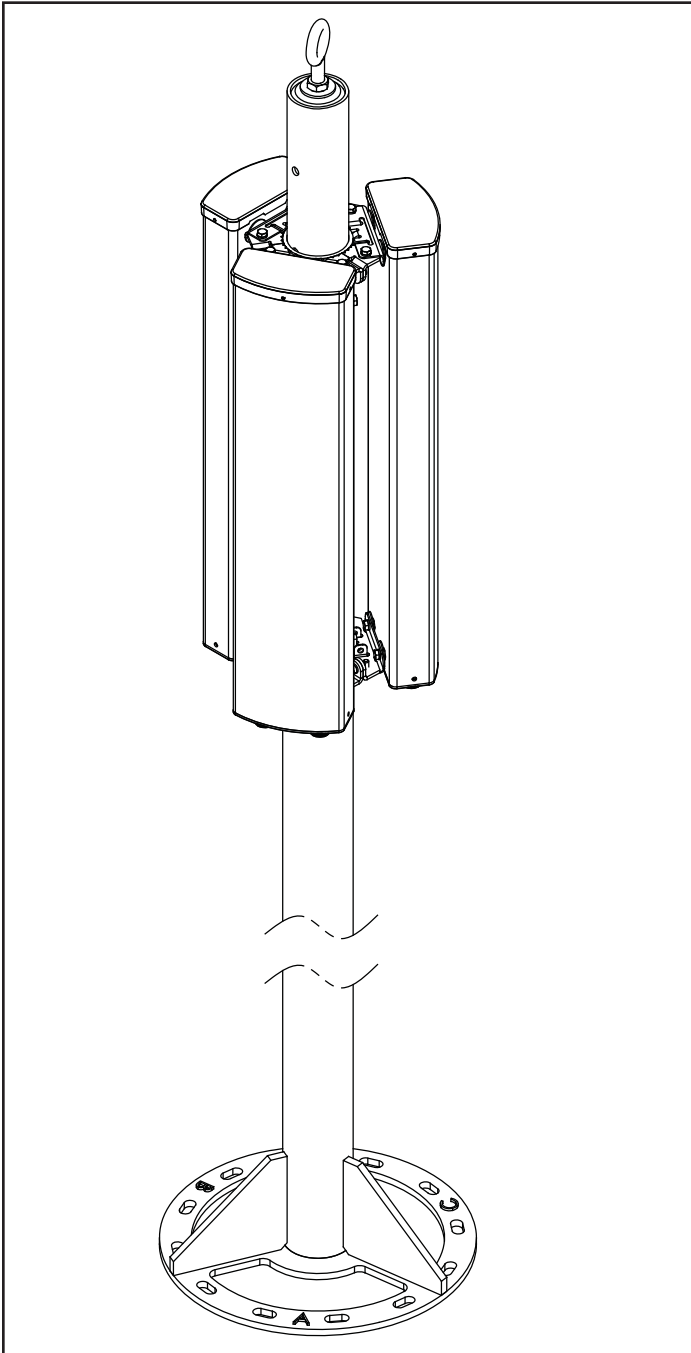


Figure 7. Attaching Antenna to Bottom Bracket Assembly.

(Continued from page 3)

Figure 8 shows the UMWD-TREEKIT fully installed, supporting three antennas mounted to the universal tree stand.



*Figure 8. UMWD Style Antennas Installed on DB800TREE Universal Tree Stand Using the UMWD-TREEKIT.*