

# VHLP3-11W-3WH/A

---



0.9m | 3 ft ValuLine® High Performance Low Profile Antenna, single-polarized, 10.125–11.700 GHz, UBR100 flange, white antenna, composite broadband grey radome without flash, standard pack—one-piece reflector

## Product Classification

<b>Product Type</b>	Microwave antenna
<b>Product Brand</b>	ValuLine®

## General Specifications

<b>Antenna Type</b>	VHLP - ValuLine® High Performance Low Profile Antenna, single-polarized
<b>Polarization</b>	Single
<b>Antenna Input</b>	UBR100
<b>Antenna Color</b>	White
<b>Reflector Construction</b>	One-piece reflector
<b>Radome Color</b>	Gray
<b>Radome Material</b>	Composite Broadband
<b>Flash Included</b>	No
<b>Side Struts, Included</b>	0
<b>Side Struts, Optional</b>	1 inboard

## Dimensions

<b>Diameter, nominal</b>	0.9 m   3 ft
--------------------------	--------------

## Electrical Specifications

<b>Operating Frequency Band</b>	10.125 – 11.700 GHz
<b>Gain, Low Band</b>	37.8 dBi
<b>Gain, Mid Band</b>	38.4 dBi
<b>Gain, Top Band</b>	39 dBi
<b>Boresite Cross Polarization Discrimination (XPD)</b>	30 dB
<b>Front-to-Back Ratio</b>	64 dB
<b>Beamwidth, Horizontal</b>	2 °

# VHLP3-11W-3WH/A

---

<b>Beamwidth, Vertical</b>	2 °
<b>Return Loss</b>	17.7 dB
<b>VSWR</b>	1.3
<b>Radiation Pattern Envelope Reference (RPE)</b>	7164A   7166A
<b>Electrical Compliance</b>	Brazil Anatel Class 2   Canada SRSP 310.5   ETSI 302 217 Class 3   US FCC Part 101A @ 10.55–10.7 GHz   US FCC Part 101A @ 10.7–11.7 GHz   US FCC Part 101B @ 10.125–11.7 GHz

## Mechanical Specifications

<b>Compatible Mounting Pipe Diameter</b>	90 mm–120 mm   3.5 in–4.7 in
<b>Fine Azimuth Adjustment Range</b>	±15°
<b>Fine Elevation Adjustment Range</b>	±15°
<b>Wind Speed, operational</b>	201 km/h   124.896 mph
<b>Wind Speed, survival</b>	250 km/h   155.343 mph

# VHLP3-11W-3WH/A

## Antenna Dimensions and Mounting Information



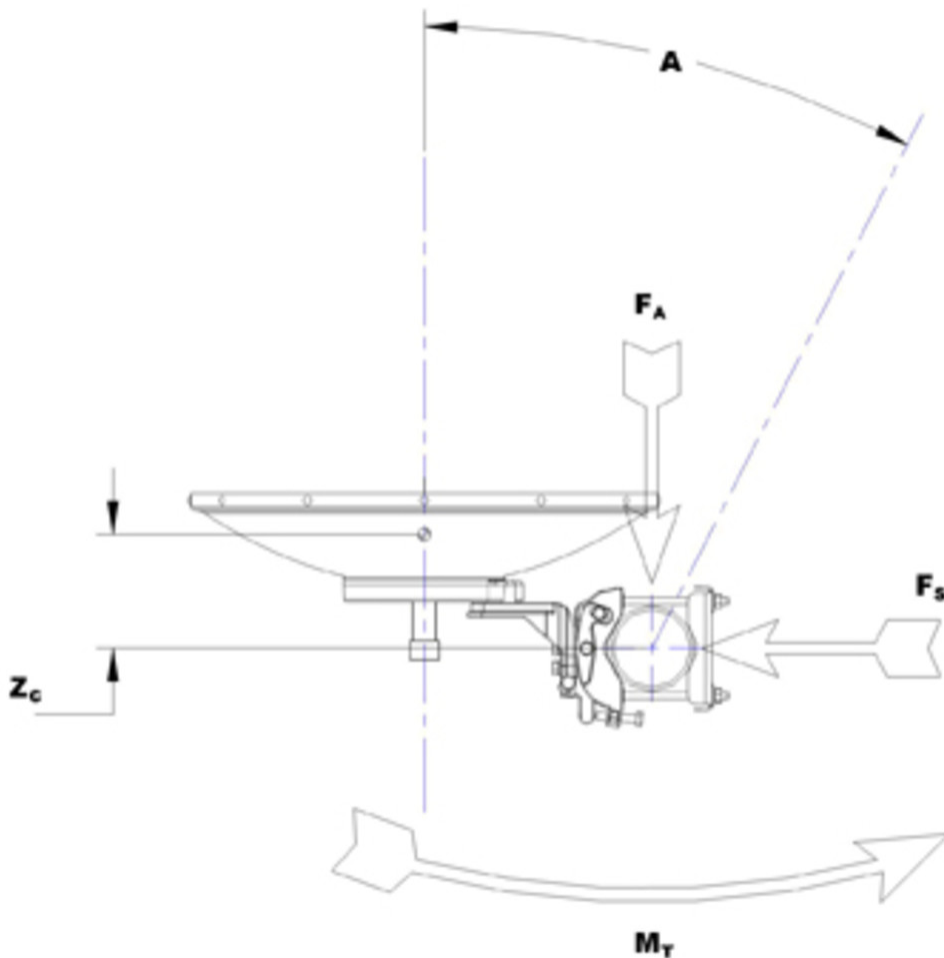
Dimension in Inches (mm)					
Antenna size, ft (m)	A	B	C	D	E
3 (1.0)	39.3 (999)	16 (407)	15.2 (387)	2.4 (60)	17.2 (437)

## Wind Forces at Wind Velocity Survival Rating

<b>Axial Force (FA)</b>	2903 N   652.621 lbf
<b>Angle <math>\alpha</math> for MT Max</b>	0°
<b>Side Force (FS)</b>	1439 N   323.5 lbf
<b>Twisting Moment (MT)</b>	1179 N-m   10,435.029 in lb
<b>Zcg without Ice</b>	135 mm   5.315 in
<b>Zcg with 1/2 in (12 mm) Radial Ice</b>	84 mm   3.307 in
<b>Weight with 1/2 in (12 mm) Radial Ice</b>	46 kg   101.413 lb

# VHLP3-11W-3WH/A

## Wind Forces at Wind Velocity Survival Rating Image



## Packaging and Weights

<b>Height, packed</b>	1110 mm   43.701 in
<b>Width, packed</b>	400 mm   15.748 in
<b>Length, packed</b>	1200 mm   47.244 in
<b>Packaging Type</b>	Standard pack
<b>Volume</b>	0.5 m <sup>3</sup>   17.657 ft <sup>3</sup>
<b>Weight, gross</b>	29 kg   63.934 lb
<b>Weight, net</b>	17 kg   37.479 lb

## Regulatory Compliance/Certifications

# VHLP3-11W-3WH/A

Agency	Classification
CHINA-ROHS	Below maximum concentration value
ISO 9001:2015	Designed, manufactured and/or distributed under this quality management system
REACH-SVHC	Compliant as per SVHC revision on <a href="http://www.commscope.com/ProductCompliance">www.commscope.com/ProductCompliance</a>
ROHS	Compliant
UK-ROHS	Compliant



## \* Footnotes

<b>Operating Frequency Band</b>	Bands correspond with CCIR recommendations or common allocations used throughout the world. Other ranges can be accommodated on special order.
<b>Gain, Mid Band</b>	For a given frequency band, gain is primarily a function of antenna size. The gain of Andrew antennas is determined by either gain by comparison or by computer integration of the measured antenna patterns.
<b>Boresite Cross Polarization Discrimination (XPD)</b>	The difference between the peak of the co-polarized main beam and the maximum cross-polarized signal over an angle twice the 3 dB beamwidth of the co-polarized main beam.
<b>Front-to-Back Ratio</b>	Denotes highest radiation relative to the main beam, at $180^\circ \pm 40^\circ$ , across the band. Production antennas do not exceed rated values by more than 2 dB unless stated otherwise.
<b>Return Loss</b>	The figure that indicates the proportion of radio waves incident upon the antenna that are rejected as a ratio of those that are accepted.
<b>VSWR</b>	Maximum; is the guaranteed Peak Voltage-Standing-Wave-Ratio within the operating band.
<b>Radiation Pattern Envelope Reference (RPE)</b>	Radiation patterns define an antenna's ability to discriminate against unwanted signals. Under still dry conditions, production antennas will not have any peak exceeding the current RPE by more than 3dB, maintaining an angular accuracy of $\pm 1^\circ$ throughout
<b>Wind Speed, operational</b>	For VHLP(X), SHP(X), HX and USX antennas, the wind speed where the maximum antenna deflection is 0.3 x the 3 dB beam width of the antenna. For other antennas, it is defined as a deflection is equal to or less than 0.1 degrees.
<b>Wind Speed, survival</b>	The maximum wind speed the antenna, including mounts and radomes, where applicable, will withstand without permanent deformation. Realignment may be required. This wind speed is applicable to antenna with the specified amount of radial ice.

# VHLP3-11W-3WH/A

---

## **Axial Force (FA)**

Maximum forces exerted on a supporting structure as a result of wind from the most critical direction for this parameter. The individual maximums specified may not occur simultaneously. All forces are referenced to the mounting pipe.

## **Side Force (FS)**

Maximum side force exerted on the mounting pipe as a result of wind from the most critical direction for this parameter. The individual maximums specified may not occur simultaneously. All forces are referenced to the mounting pipe.

## **Twisting Moment (MT)**

Maximum forces exerted on a supporting structure as a result of wind from the most critical direction for this parameter. The individual maximums specified may not occur simultaneously. All forces are referenced to the mounting pipe.

## **Packaging Type**

Andrew standard packing is suitable for export. Antennas are shipped as standard in totally recyclable cardboard or wire-bound crates (dependent on product). For your convenience, Andrew offers heavy duty export packing options.