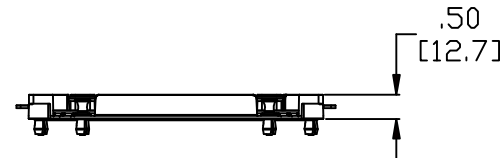
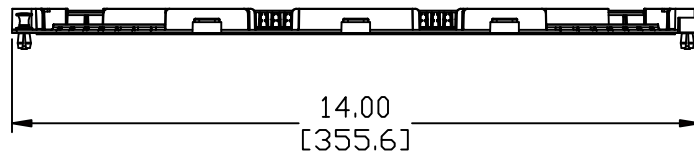
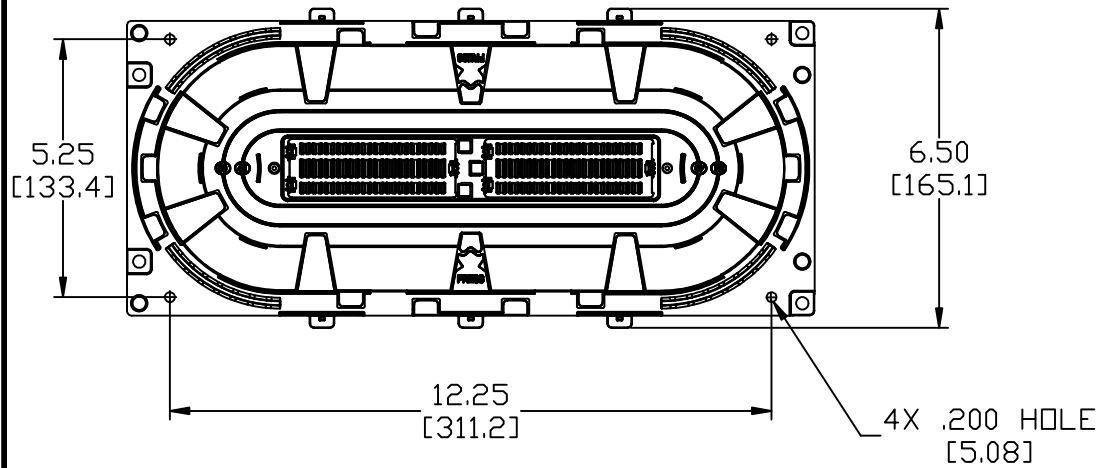


MATERIAL ID	DESCRIPTION
760148502	KIT, SPLICE TRAY - STACKABLE, LOW - PROFILE

NOTES:

1. SEE SYSTIMAX CATALOG FOR PART NUMBER SUFFIXES TO INDICATE COLOR/PKG.
2. SEE SYSTIMAX CATALOG FOR COMPLETE LIST OF PARTS RELATED TO THE USE OF THIS PRODUCT.
3. DIMENSIONS IN PARENTHESES ARE IN METRIC.
4. PART INCLUDES:
 (3) CABLE TIE
 (4) PLASTIC RIVET GROMMET
 (4) PLASTIC RIVET PLUNGER
 (2) MILLIE-TIE
 (2) SPLICE SLEEVE HOLDER
 (1) TOP COVER
 (1) SPLICE TRAY



360-LP-STACK-SPT

COMMSCOPE, INC OF NORTH CAROLINA

SYSTIMAX® SOLUTIONS

1	11/24/10		INITIAL ISSUE	WJW	DRAWN BY DJ	
REV	DATE	ECR	DESCRIPTION	APPROVED BY	DATE 11/24/2010	DWG NO 760148502