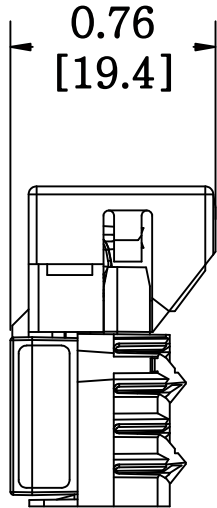
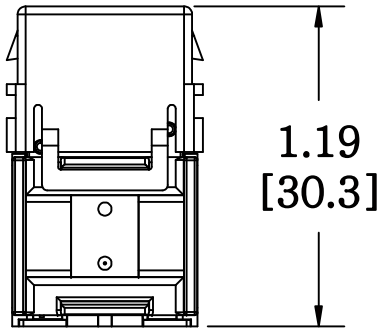
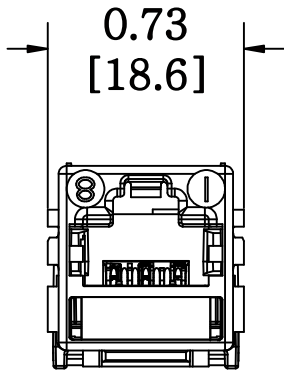


| MATERIAL ID | DESCRIPTION |
|-------------|-------------|
| 760149930   | UNJ10G-OR   |



**NOTES:**

1. SEE UNIPRISE CATALOG FOR PART NUMBER SUFFIXES TO INDICATE COLOR/PKG.
2. SEE UNIPRISE CATALOG FOR COMPLETE LIST OF PARTS RELATED TO THE USE OF THIS PRODUCT.
3. DIMENSIONS IN PARENTHESES ARE IN METRIC.
4. PART INCLUDES:

- (1) JACK FRAME,DUAL MOUNT (-112)
- (1) ICONS, (-112)
- (1) PWB, MODULE MGS500
- (1) SPRING GUIDE (AQUA)
- (1) SPRING BLOCK
- (1) COVER
- (1) JACK WIRE
- (8) IDC
- (1) HOUSING, REAR
- (1) CAP
- (1) LABEL, UNIVERSAL (LEFT)
- (1) LABEL, UNIVERSAL (RIGHT)

|   |                     |
|---|---------------------|
| MODULE (UNJ10G)                         |                     |
| <b>COMMSCOPE, INC</b> OF NORTH CAROLINA |                     |
| <b>Uniprise</b>                         |                     |
| DRAWN BY<br>AW                          |                     |
| DATE<br>11/1/2010                       | DWG NO<br>760149930 |

| REV | DATE    | ECR | DESCRIPTION   | APPROVED BY |
|-----|---------|-----|---------------|-------------|
| 1   | 11/1/10 |     | INITIAL ISSUE | MWC         |