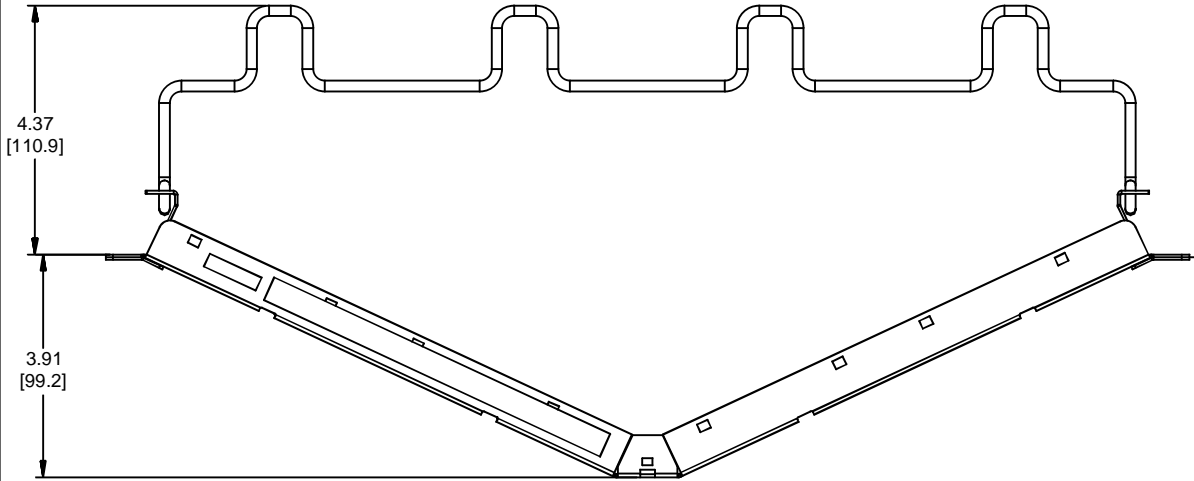
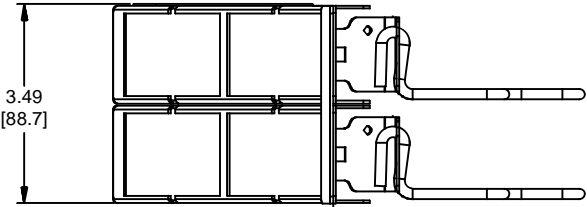
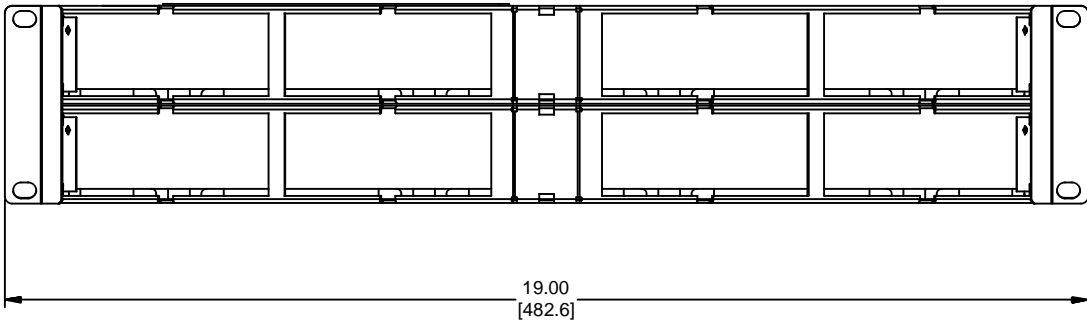


MATERIAL ID	DESCRIPTION
760206920	1100 ANGLED GS3 PANEL KIT - 2U



NOTES:

1. SEE SYSTIMAX CATALOG FOR PART NUMBER SUFFIXES TO INDICATE COLOR/PKG.
2. SEE SYSTIMAX CATALOG FOR COMPLETE LIST OF PARTS RELATED TO THE USE OF THIS PRODUCT.
3. DIMENSIONS IN PARENTHESES ARE IN INCHES[MM].
4. PART INCLUDES:  
 (1) 1100 ANGLED GS3 FRAME 2U  
 (2) RETENER B,360 REAR CABLE MANAGMENT  
 (8) CABLE TIE



1100A-GS3-KIT-2U	
COMMSCOPE, INC OF NORTH CAROLINA	
<b>SYSTIMAX</b>	
DRAWN BY DJ	DWG NO 760206920
DATE 01/27/2015	

REV	DATE	ECR	DESCRIPTION	APPROVED BY
1	01/27/15		INITIAL ISSUE	PL