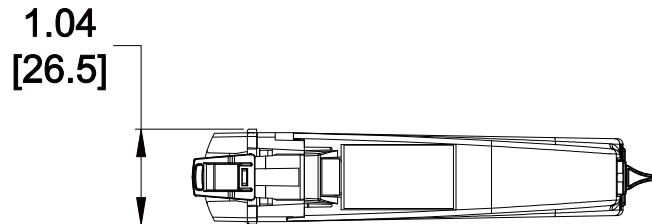
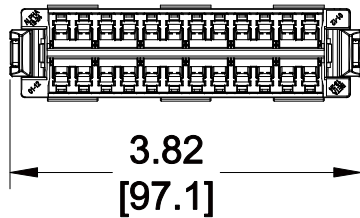
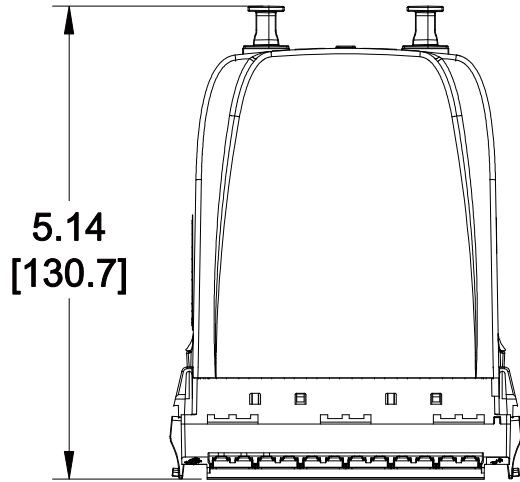


| MATERIAL ID | DESCRIPTION   |
|-------------|---|
| 760217950   | InstaPATCH® 360 LazrSPEED® WideBand MODULE, 24 LC PORTS |

NOTES:

- SEE SYSTIMAX CATALOG FOR PART NUMBER SUFFIXES TO INDICATE COLOR/PKG.
- SEE SYSTIMAX CATALOG FOR COMPLETE LIST OF PARTS RELATED TO THE USE OF THIS PRODUCT.
- DIMENSIONS ARE IN INCHES[MM].
- PART INCLUDES:  
(1) ASSEMBLY, 24LC, MODULE



360DMis-24LC-WB

**COMMScope, INC** OF NORTH CAROLINA

**SYSTIMAX® SOLUTIONS**

|     |          |     |               |             |                    |                     |
|-----|----------|-----|---------------|-------------|--------------------|---------------------|
| 1   | 10/26/15 |     | INITIAL ISSUE | GG          | DRAWN BY<br>TZ     |                     |
| REV | DATE     | ECR | DESCRIPTION   | APPROVED BY | DATE<br>10/26/2015 | DWG NO<br>760217950 |