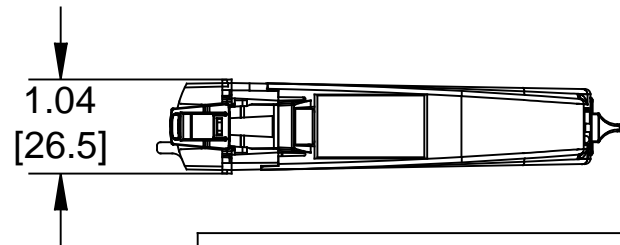
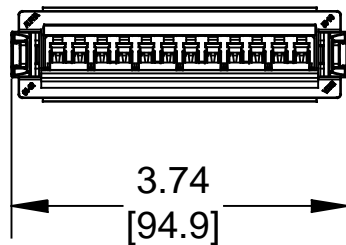
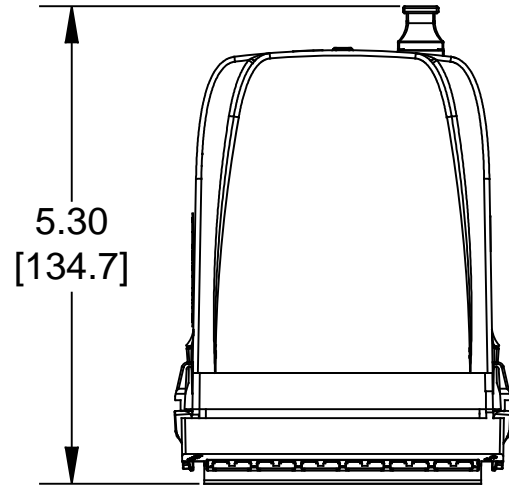


MATERIAL ID	DESCRIPTION
760224113	ASSEMBLY, MODULE, IP360 DMis



NOTES:

1. SEE SYSTIMAX CATALOG FOR PART NUMBER SUFFIXES TO INDICATE COLOR/PKG.
2. SEE SYSTIMAX CATALOG FOR COMPLETE LIST OF PARTS RELATED TO THE USE OF THIS PRODUCT.
3. DIMENSIONS ARE IN INCHES[MM].
4. PART INCLUDES:
 - (1) ASSEMBLY, BEZEL, LIME GREEN
 - (1) HOUSING, MODULE, 360 InstaPATCH, 12 FIBER, BLACK
 - (1) ADAPTER, MPO, ALIGN KEYES, NO FLANGE, NO CLIP
 - (1) FLOOR, FIBER MANAGEMENT, 360 InstaPATCH
 - (1) FOA: CABLE ASSEMBLIES, INTERNAL FANOUT, 12F
 - (1) ICON, BLANK, LIME GREEN

360 DMis-12LC-LS-WB	
COMMScope, INC OF NORTH CAROLINA	
SYSTIMAX® SOLUTIONS	
DRAWN BY TZ	
APPROVED BY	DATE 07-NOV-2016
	DWG NO 760224113

REV	DATE	ECR	DESCRIPTION	APPROVED BY
1	07-NOV-16		INITIAL ISSUE	PT