

IMPORTANT!

**INSTALLATION
INSTRUCTIONS**

**READ THIS
MANUAL FULLY
BEFORE STARTING
INSTALLATION**

SAFETY INSTRUCTIONS



NOTE: Reduce the risk of accidents by studying all the instructions carefully before starting working.

The safety information in this document presupposes that any person performing work on CommScope products or systems has the education, training and competence required to perform the task correctly.

SERVICE PERSONNEL

Installation and service must be carried out by authorized personnel having the appropriate technical training and experience necessary to be cognizant of hazards during installation and service, and of measures to minimize any danger to themselves or any other person.

SAFETY REQUIREMENTS & REGULATIONS

The safety requirements in the following sections must be followed to avoid personal injury and damage to tangible property.

Use local safety regulations where these are mandatory. The safety instructions in this document shall be used as a supplement to the local regulations.

In case of conflict between the safety instructions in this manual and the local safety regulations, the local safety regulations shall prevail if these are mandatory. If the local regulations are not mandatory the safety instructions in this manual shall prevail.

CommScope
1100 CommScope Place SE P.O. Box 339, Hickory, NC 28603-0339
(828) 324-2200 (800) 982-1708
www.commscope.com

Notice: CommScope disclaims any liability or responsibility for the results of improper or unsafe installation, inspection, maintenance, or removal practices.
Aviso: CommScope no acepta ninguna obligación ni responsabilidad como resultado de prácticas incorrectas o peligrosas de instalación, inspección, mantenimiento o retiro. Avis : CommScope décline toute responsabilité pour les conséquences de procédures d'installation, d'inspection, d'entretien ou de retrait incorrectes ou dangereuses. Hinweis: CommScope lehnt jede Haftung oder Verantwortung für Schäden ab, die aufgrund unsachgemäßer Installation, Überprüfung, Wartung oder Demontage auftreten.

Atenção: A CommScope abdica do direito de toda responsabilidade pelos resultados de práticas inadequadas e sem segurança de instalação, inspeção, manutenção ou remoção. Avvertenza: CommScope declina eventuali responsabilità derivanti dall'esecuzione di procedure di installazione, ispezione, manutenzione e smontaggio improprie o poco sicure.

注意: CommScope 公司申明對於不恰當或不安全的安裝、檢驗、維修或拆卸操作所導致的後果不負任何義務和責任
© June, 2018 CommScope

Customer Service 24 hours
North America: +1-800-255-1479 (toll free)
Any country: +1-779-435-6500
email: acicustomersupportcenter@commscope.com



SAFETY SYMBOLS & DEFINITIONS

HOISTING



WARNING!

Falling objects can cause accidents.

- Use only tested and approved hoisting equipment in accordance with the instructions supplied with the equipment. Appropriately trained personnel must operate the hoisting device.
- Always hoist from a suitable location.
- Never walk under hoisted loads.
- Follow local regulations for safety clothing and safety equipment for hoisting or moving goods.

WORKING AT HEIGHTS



WARNING!

Some working areas involve the risk of accidents caused by falling or by falling objects

INSTALLATION HARDWARE

Do not use any installation components (for example screws and nuts) other than those enclosed with the equipment or recommended by CommScope.



Use protective wear to avoid skin contact with conductive grease. Keep away from mouth. Wash thoroughly after use with liberal amounts of liquid soap and rinse with water. Do not store open near food or food substances.
Contents: Oil, clay & zinc dust.

INSTALLATION PROCEDURES & TOOLS

The installation procedures in this manual must be followed. Make sure that:

- Working instructions are followed.
- Recommended tools are used.
- Adequate safety devices are used.
- The risk of falling and falling objects is known.
- All hardware is tightened to the torques specified $\pm 5\%$. The integrity of the antenna depends on all fasteners being tightened correctly.

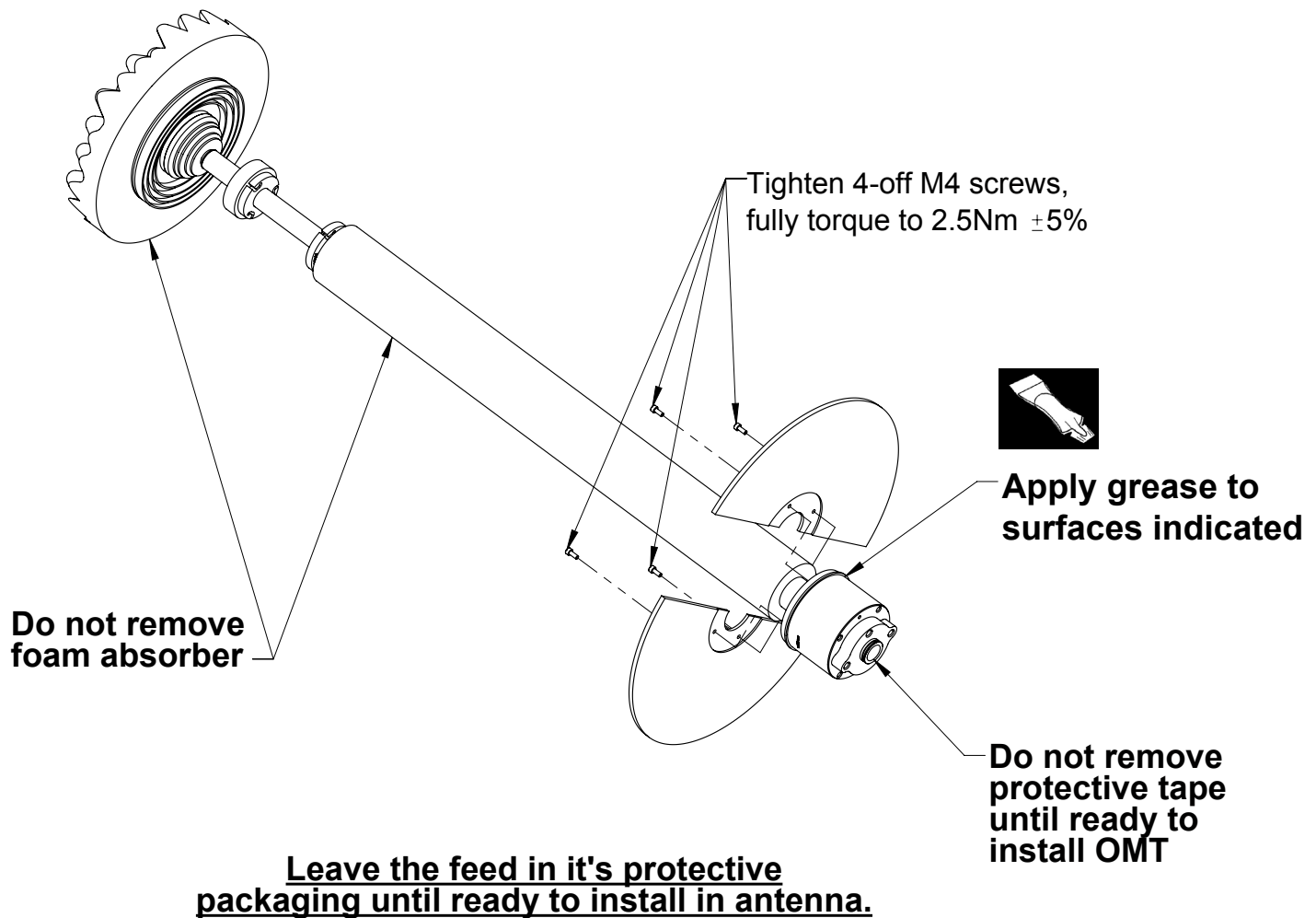
ANNUAL INSPECTION

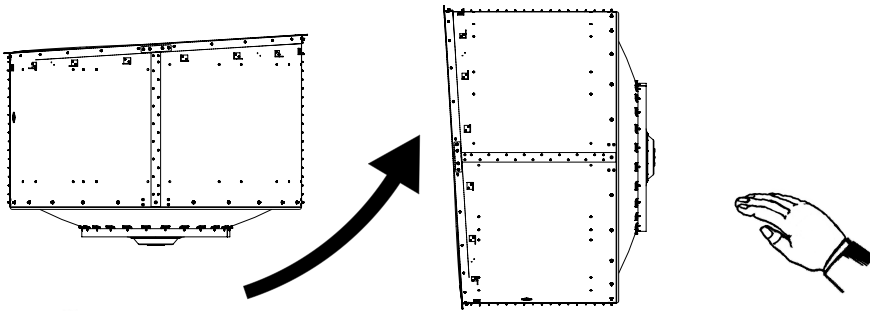
Antenna systems should be inspected once a year by qualified personnel to verify proper installation, maintenance and condition of equipment.

Tool Requirements

Tools Required	Bolt Diameter in MM		
	M4	M6	M8
Ring and Open spanner (A/F)			13mm
Torque Wrench	2.5 - 19.0 Nm		
Sockets (A/F)			13mm
Allen Sockets (A/F)			13mm
Allen Key (A/F)	3mm	5mm	
General Toolbox			

Vertex Plate Assembly



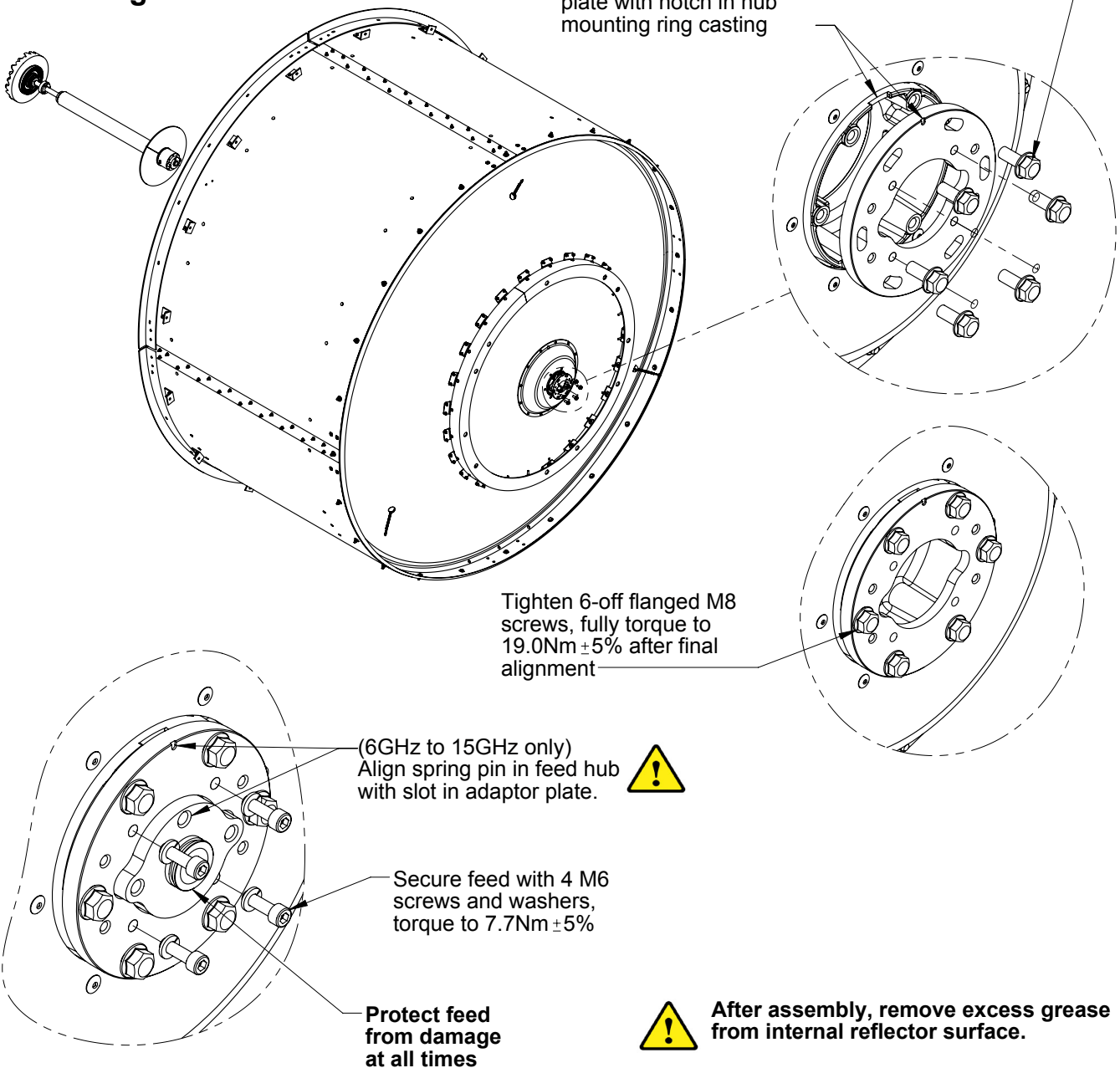


Prior to feed attachment, carefully tilt antenna upright and hold in position. Ensure antenna is not distorted or damaged.



REFER TO SAFETY NOTE ON PAGE 5

Feed Fitting



Align timing slot in adaptor plate with notch in hub mounting ring casting

Finger tighten 6-off flanged M8 screws

Tighten 6-off flanged M8 screws, fully torque to 19.0Nm \pm 5% after final alignment

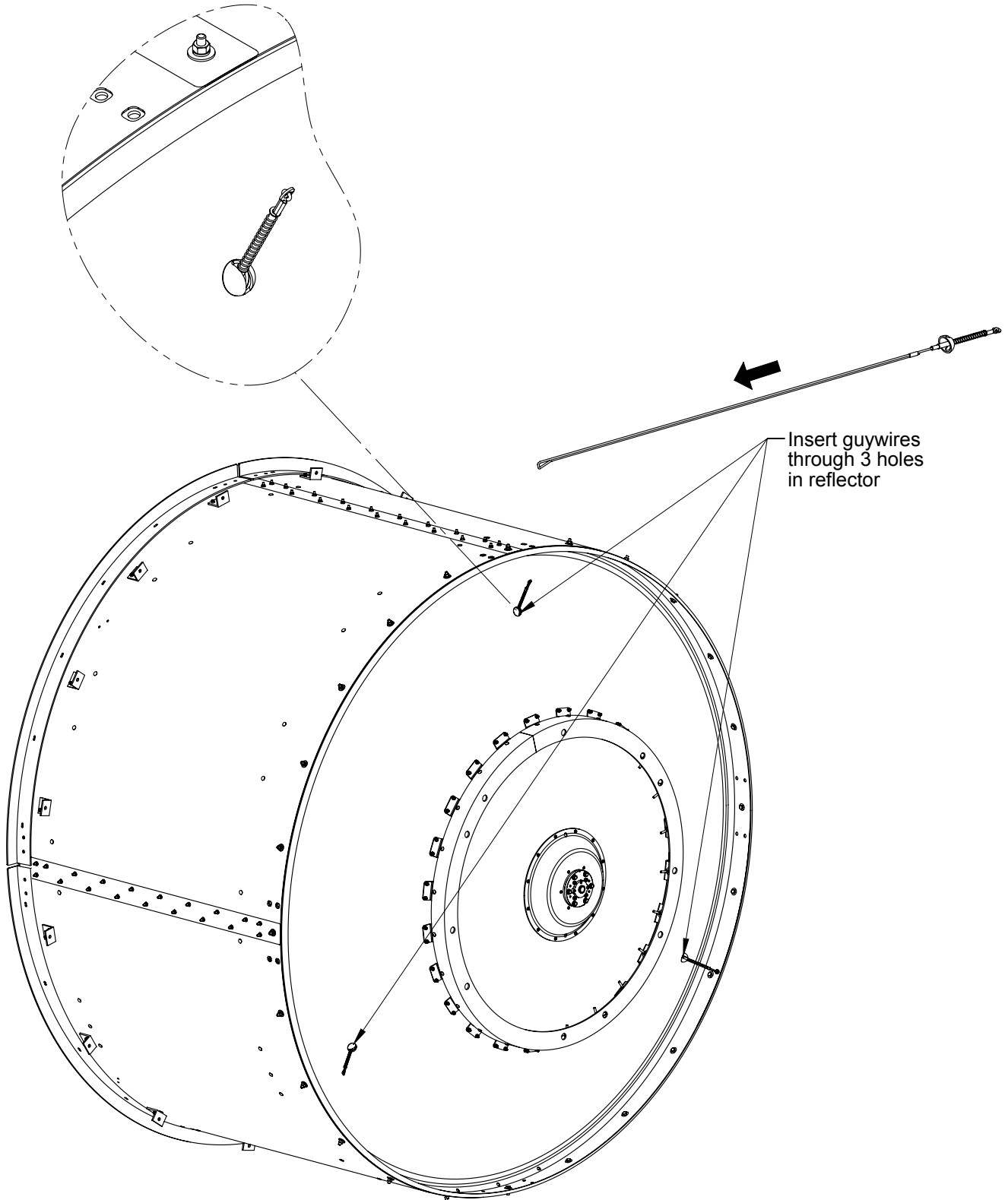
(6GHz to 15GHz only)
Align spring pin in feed hub with slot in adaptor plate.

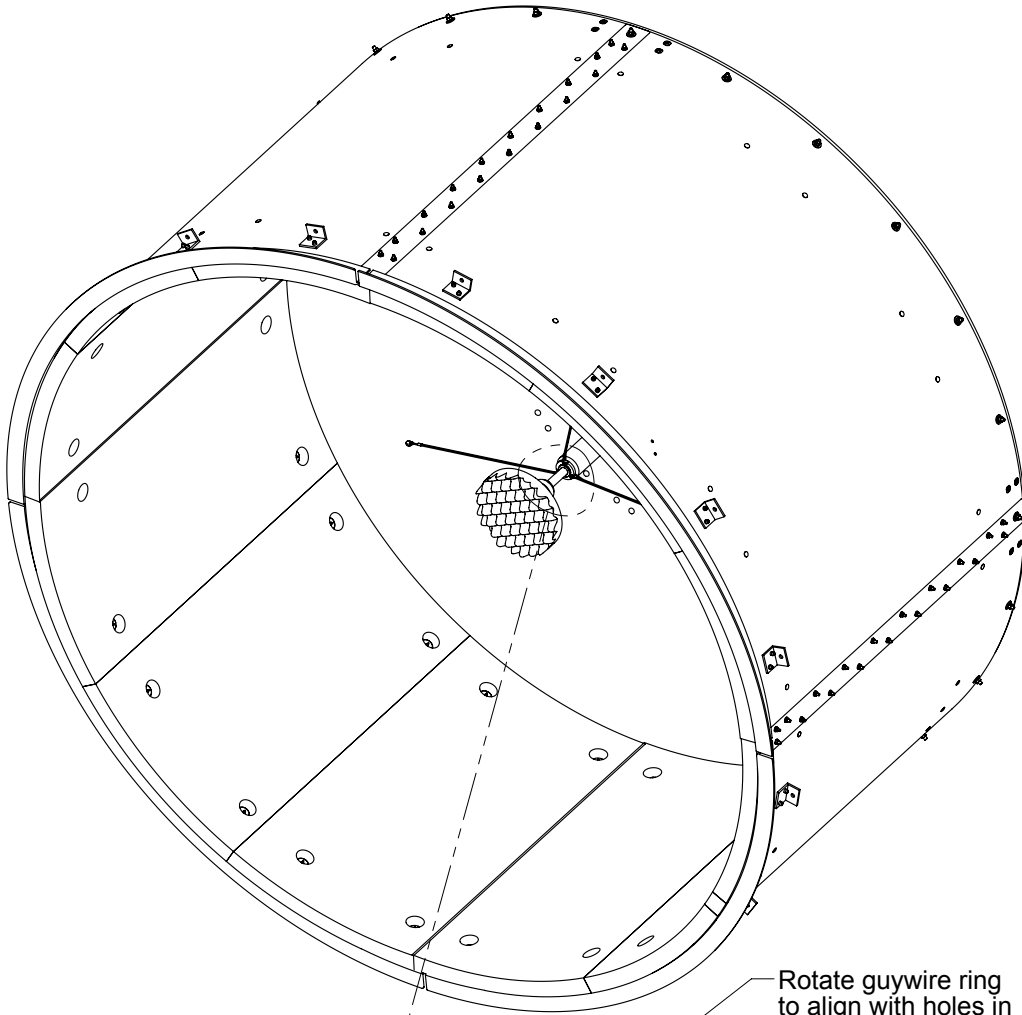
Secure feed with 4 M6 screws and washers, torque to 7.7Nm \pm 5%

Protect feed from damage at all times

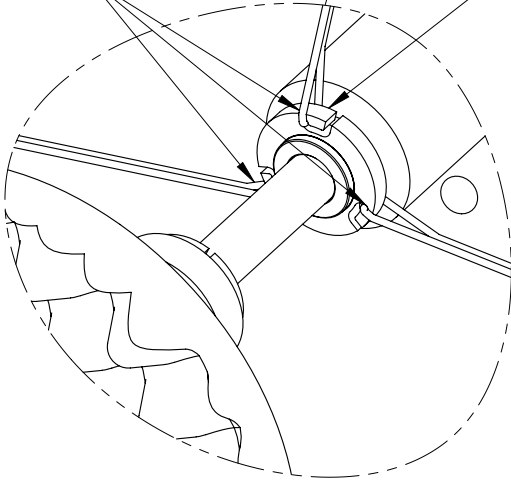
After assembly, remove excess grease from internal reflector surface.

Guywire Fitting





Insert guywires into slots and locate in grooves



Rotate guywire ring to align with holes in reflector

