



SYSTIMAX[®] VisiPatch[®] VP360 Side Panel Kit Installation

General

The **SYSTIMAX**[®] VP360 Side Panel Kit (MID 760080630) provides added support to the VP360 vertical trough (MID 760060285) when installed on the end of an array of VP360 panels, to maintain proper door alignment. Each VP360 side panel kit contains three panels, i.e. enough panels to support a typical (36U) column of vertical troughs. The following procedures should be followed when installing side panels to the VP360 Vertical Trough Kit.

How to Contact Us

- To find out more about **SYSTIMAX**[®] Solutions, visit us on the web at <http://www.systimax.com/>
- For technical assistance regarding **SYSTIMAX**[®] products:
 - Within the United States, contact your local account representative or **SYSTIMAX**[®] technical support at 1-800-344-0223. Outside the United States, contact your local account representative or Authorized Business Partner.
 - Within the United States, report any missing or damaged parts to **SYSTIMAX**[®] Customer Service in Omaha, NE, at 1-866-539-2795. Outside the United States, contact your local account representative or Authorized Business Partner.

Installation Instructions

1. Remove one side panel from its packaging. Orient the side panel in relation to the vertical trough and wall surface as shown in Figure 1 for mounting on the right side.

Note: Rear flange on side panel must be flat against wall.

The side panel should be rotated 180 degrees when mounting on the left side of a vertical trough.

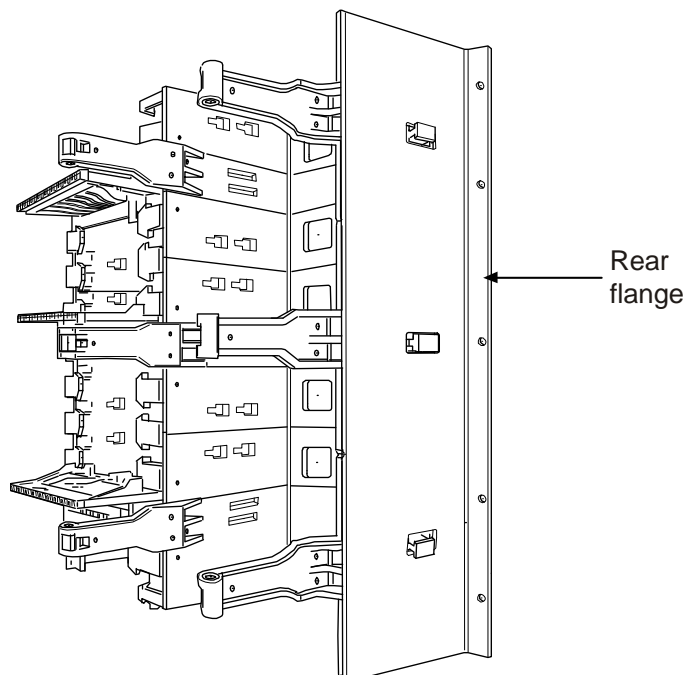


Figure 1. Side Panel in Upright Position

2. Locate tabs on outside of 12U vertical trough section (Figure 2). Position side panel as shown and hang it on side of vertical troughs so that tabs extend through slots in side panel (Figure 3).

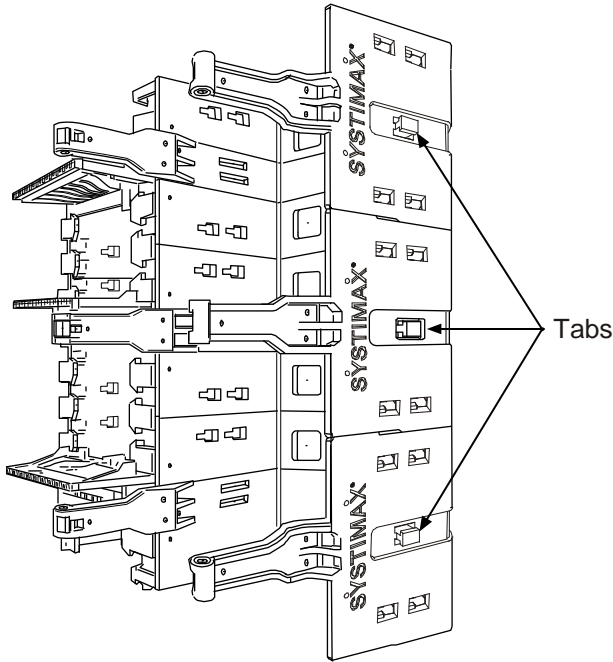


Figure 2. Tabs on Vertical Troughs

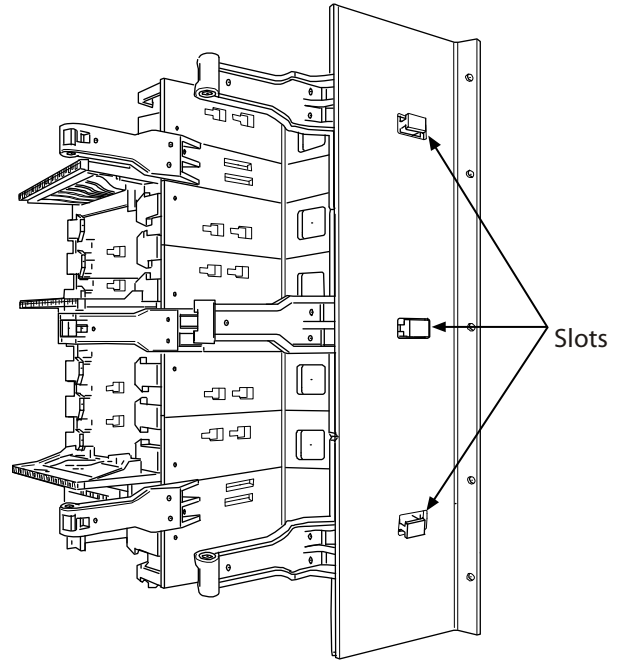


Figure 3. Mounted Side Panel

3. Slide mounted side panel to the rear so that it is snug against wall.
4. Secure the panel to the wall using five No. 8 drywall screws (not included) as shown in Figure 4.

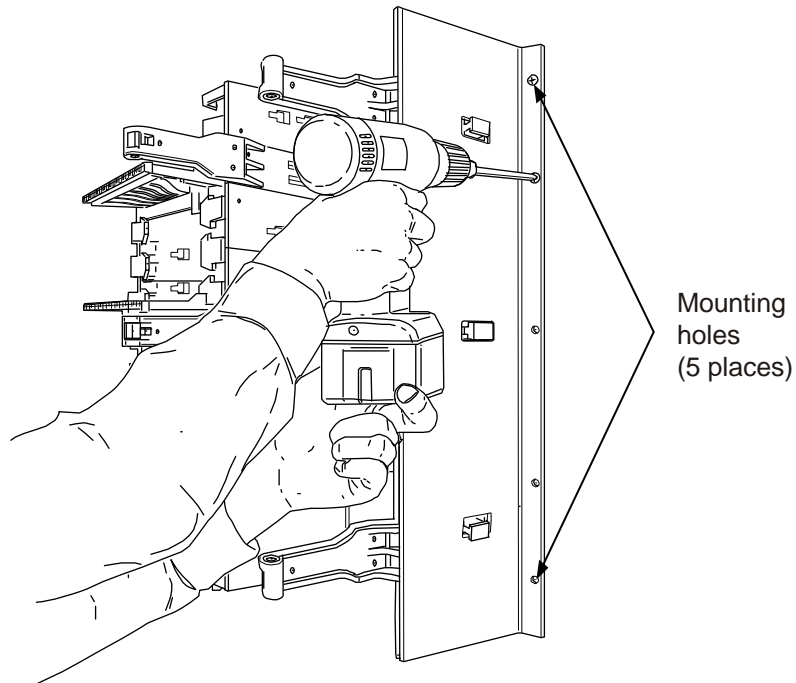


Figure 4. Secure Panel to Wall

5. Repeat steps 1 thru 4 along the entire vertical length of the unsupported end of a VP360 wall field.