

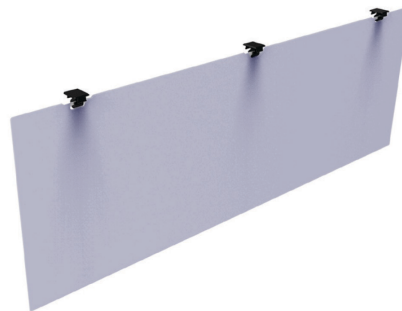
SYSTIMAX® 360G2 Flip Label Kit Installation Instructions

General

The **SYSTIMAX** 360G2 Flip Label Kit provides fields on both sides to easily record termination and circuit information. Use one side for fiber termination and the other side to record circuit information. Shelf identification labels are provided to key the shelf to the label, which may be removed from the door. Shelf location/identification information must be printed and applied to flip label holder and matching shelf ID labels prior to use.

Ordering information is listed below:

Material ID	Part No.	Description
760101410	360G2-4U-FLK	360G2 4U shelf flip label kit



SYSTIMAX® 360G2 Flip Label Kit

How to Contact Us

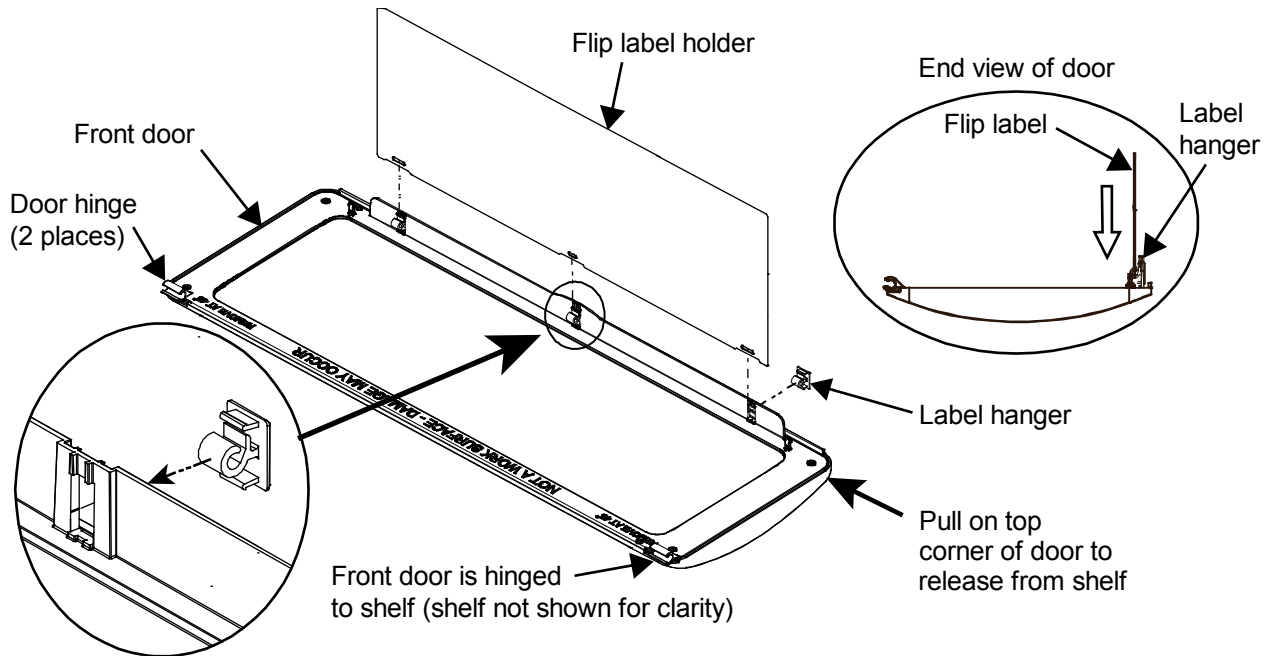
- To find out more about **CommScope®** products, visit us on the web at <http://www.commscope.com/>
- For technical assistance:
 - Within the United States, contact your local account representative or technical support at 1-800-344-0223. Outside the United States, contact your local account representative or **PartnerPRO™** Network Partner.
 - Within the United States, report any missing/damaged parts or any other issues to **CommScope** Customer Claims at 1-866-539-2795 or email to claims@commscope.com. Outside the United States, contact your local account representative or **PartnerPRO** Network Partner.

Parts List

Verify parts against the parts list below:

Quantity	Description
1	Flip Label
3	Label Hangers
1	Instruction sheet

Step 1 – Install Label Kit



Flip Label Installation

1. Pull on top corners of front door to release latches and tilt open front door on shelf.
2. Orient label hangers as shown above and push into openings provided in shelf door until seated.
3. Push flip label down on label hanger hooks to secure.

Verify Flip Label Installation and Close Door

4. Rotate flip label freely to verify installation.
5. Apply labeling to front and rear of flip label as required to record termination and circuit information.
6. Rotate shelf door to close and push at top corners to secure door latches.
7. To print a designation label, go to <http://www.commscope.com/Resources/Labeling-Templates> and scroll down to the **360G2 Panels and Shelves** and select the appropriate label template.

