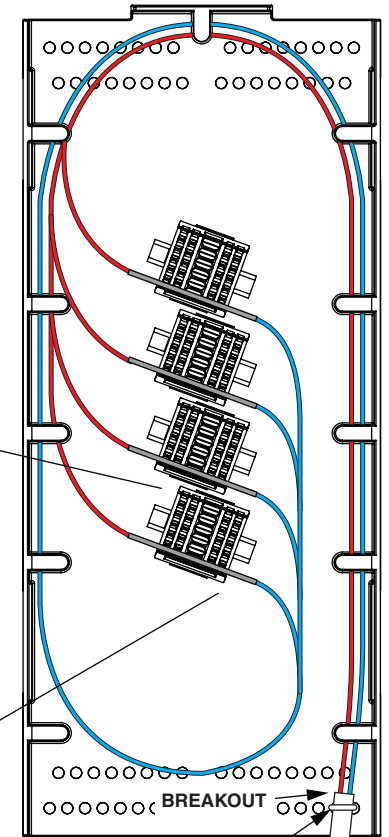
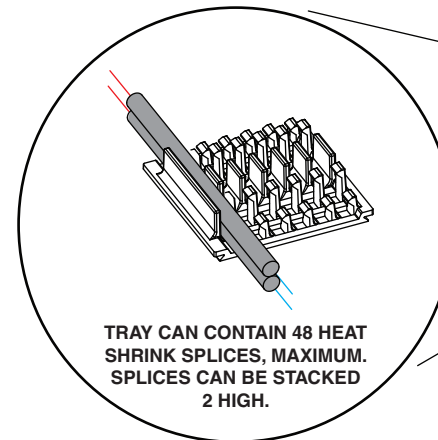
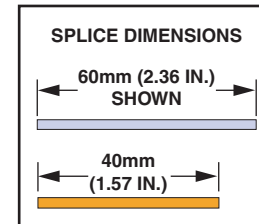


Splice Tray Fiber Routing

1 60 mm SPLICE (SHOWN)

NOTE: ROUTE FIBERS WITH 40MM SPLICE CONFIGURATION IN SAME MANNER



NOTE: SEE PAGE 2 FOR BREAKOUT LENGTHS AND CHIP INSTALLATION PROCEDURE

26466-A



PRODUCT INFORMATION AND TECHNICAL ASSISTANCE:

For patents, go to

<http://www.commscope.com/ProductPatent/ProductPatent.aspx>

For product support, go to

<http://www.commscope.com/SupportCenter>

CommScope (logo) and CommScope are trademarks.

Contents herein are current as of the date of publication. CommScope reserves the right to change the contents without prior notice. **In no event shall CommScope be liable for any damages resulting from loss of data, loss of use, or loss of profits and CommScope further disclaims any and all liability for indirect, incidental, special, consequential or other similar damages. This disclaimer of liability applies to all products, publications, and services during and after the warranty period.**

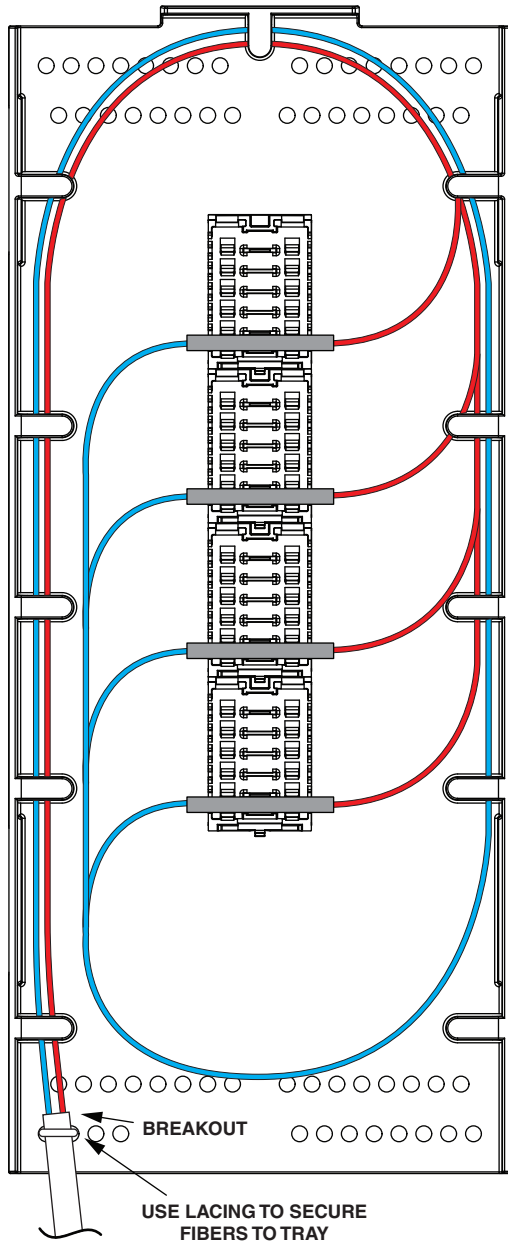
Danger: *Infrared radiation is invisible and can seriously damage the retina of the eye. Do not look into the ends of any optical fiber. Do not look directly into the optical adapters of the adapter packs. Exposure to invisible laser radiation may result. A protective cap or hood MUST be immediately placed over any radiating adapter or optical fiber connector to avoid the potential of dangerous amounts of radiation exposure. This practice also prevents dirt particles from entering the connector and adapter.*

2

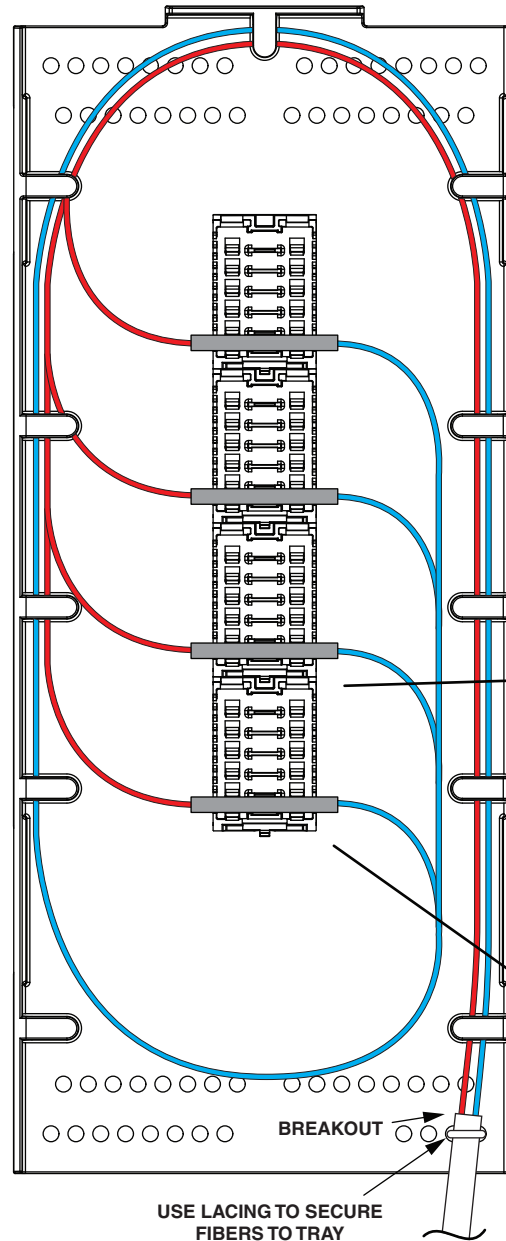
MASS FUSION SPLICE

NOTE: TRAY HOLDS 24 (MAXIMUM) MASS FUSION SPLICES

| FIBER BREAKOUT LENGTHS FROM JACKET (TRIM BACK AS NEEDED) | |
|---|-----------|
| RED FIBER | 22 INCHES |
| BLUE FIBER | 35 INCHES |



OR



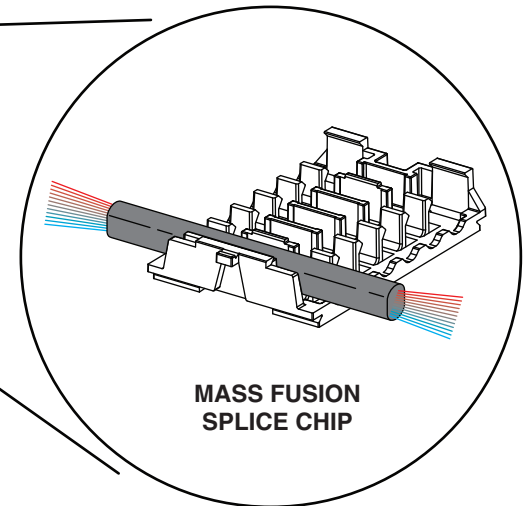
CHIP INSTALLATION PROCEDURE

CHIP LOCKED IN PLACE

TRAY GROOVES

LOCKING TABS

NOTE: IF HEAT SHRINK SPLICE CHIPS ARE NOT ATTACHED TO THE TRAY, ALIGN THE CHIP WITH THE TRAY GROOVES AND SLIDE UNTIL CHIP "CLICKS" AND LOCKS INTO THE TRAY. TO REMOVE CHIP, PRESS LOCKING TAB DOWN AND SLIDE CHIP OUT OF TRAY GROOVES.



NOTE: IF MASS FUSION SPLICE CHIPS ARE NOT ATTACHED TO THE TRAY, REMOVE ADHESIVE BACKING AND STICK THEM TO THE TRAY IN THE LOCATIONS SHOWN