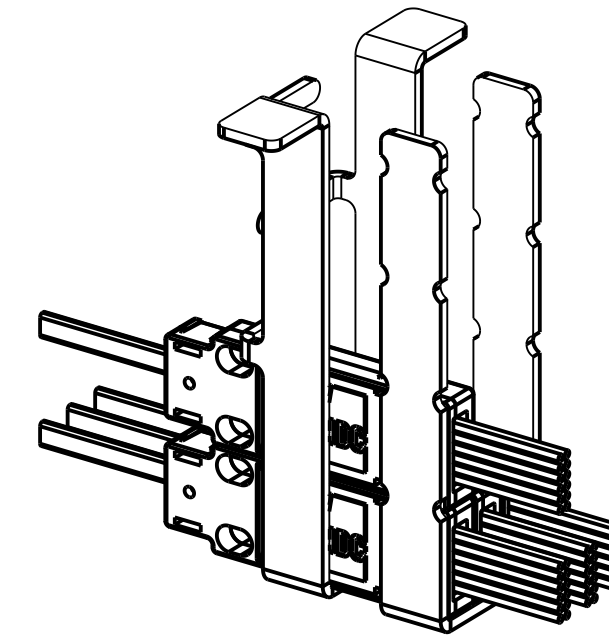
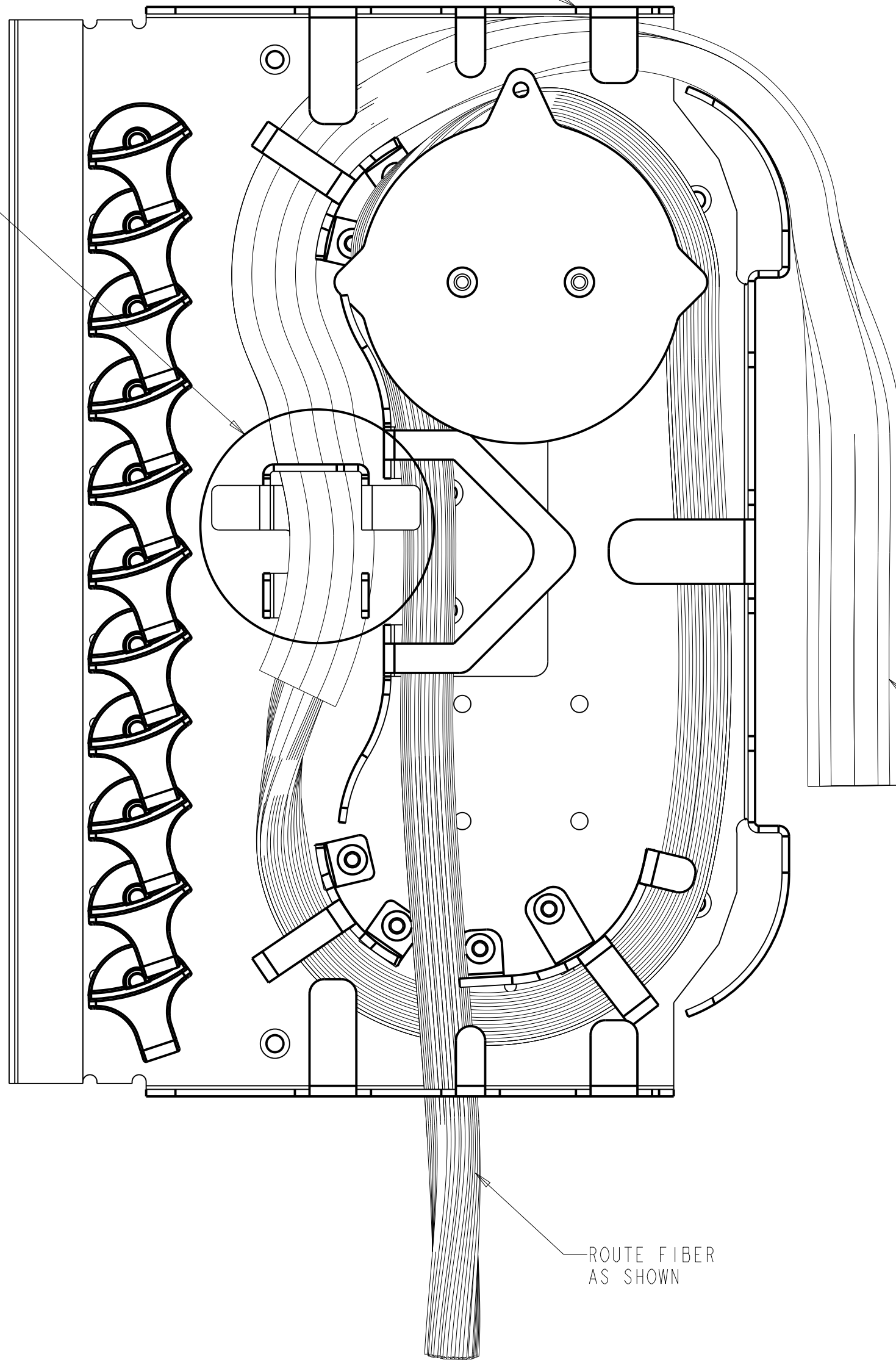


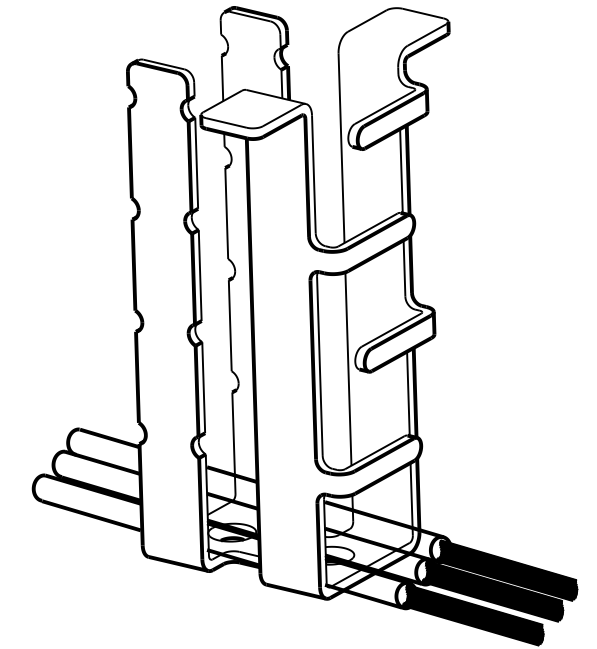
REV	MCO	DWN	DATE
A	20326396	JFM	04-JUN-12
B	8000019371	NERI	31-JAN-17

TIE SUBUNITS WITH LACING (REF)

SEE DETAIL A



FOR RIBBON FIBER



FOR STRANDED FIBER

DETAIL A

CLAMP LOCATION SHOWN ON ASSEMBLY DRAWING (CLAMP CABLE BEFORE ROUTING)

ROUTE FIBER AS SHOWN

CABLE ROUTING  
STEP 1

COMMSCOPE, INC.

© 2016 COMMSCOPE, INC. CONFIDENTIAL  
NOTICE: THESE DRAWINGS AND SPECIFICATIONS ARE THE PROPRIETARY PROPERTY OF COMMSCOPE, INC. AND MAY BE USED ONLY FOR THE SPECIFIC PURPOSE AUTHORIZED IN WRITING BY COMMSCOPE, INC.

ALL DIMS AND TOLERANCES .XX:±N/A  
ARE INCHES UNLESS .XXX:±N/A  
OTHERWISE SPECIFIED ANGULAR:±N/A

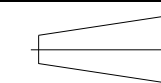
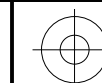
DO NOT SCALE DRAWING

ENGR: DAN HERZOG  
DWN: J. SANTANA LOPEZ

TITLE DRAWING REF,  
CABLE ROUTING, LEFT,  
CABLE EXIT DOWN

DRAWING NUMBER  
300001755411

SHT. 1 OF 4



DIMENSIONS IN INCHES  
THIRD ANGLE PROJECTION

A

B

C

D

ROW 12

ROW 11

ROW 10

ROW 9

ROW 8

ROW 7

ROW 6

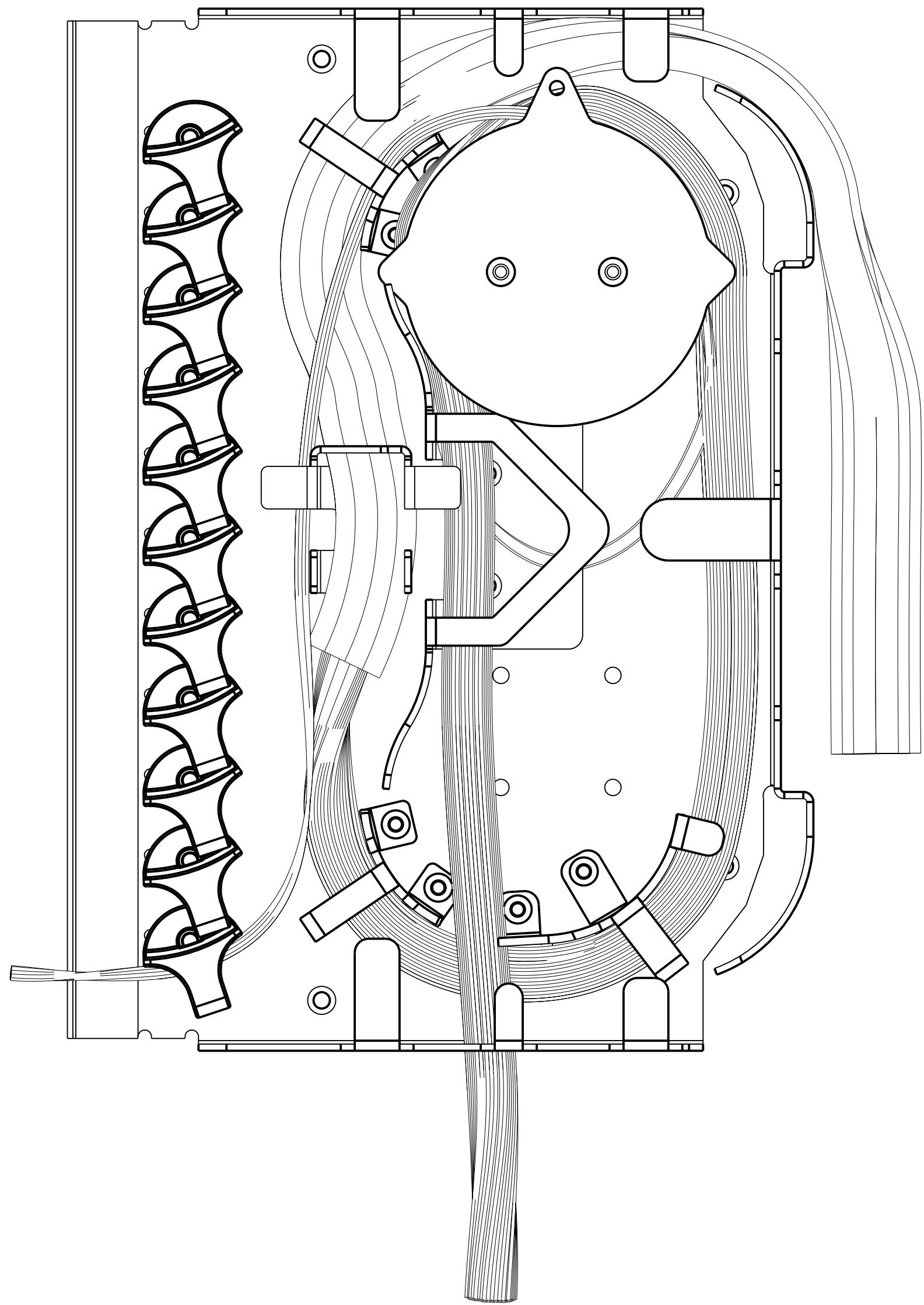
ROW 5

ROW 4

ROW 3

ROW 2

ROW 1



**NOTES:**

1. START WITH ROW 1 SEE CONNECTION TABLE (F/N 986) FOR CORRECT FIBERS.  
 ROUTE FIBERS AS SHOWN TO ROW 1

CABLE ROUTING  
**STEP 2**

COMMSCOPE, INC.

<small>© 2016 COMMSCOPE, INC. CONFIDENTIAL          NOTICE: THESE DRAWINGS AND SPECIFICATIONS ARE THE PROPRIETARY PROPERTY OF COMMSCOPE, INC. AND MAY BE USED ONLY FOR THE SPECIFIC PURPOSE AUTHORIZED IN WRITING BY COMMSCOPE, INC.</small>		TITLE DRAWING REF, CABLE ROUTING, LEFT, CABLE EXIT DOWN	
<small>ALL DIMS AND TOLERANCES .XX:±N/A          ARE INCHES UNLESS .XXX:±N/A          OTHERWISE SPECIFIED ANGULAR:±N/A</small>	C SIZE	DRAWING NUMBER 300001755411	B REV
DO NOT SCALE DRAWING	ENGR: DAN HERZOG DWN: J. SANTANA LOPEZ	SHT. 2 OF 4	

DIMENSIONS IN INCHES  
 THIRD ANGLE PROJECTION

A

B

C

D

ROW 12

ROW 11

ROW 10

ROW 9

ROW 8

ROW 7

ROW 6

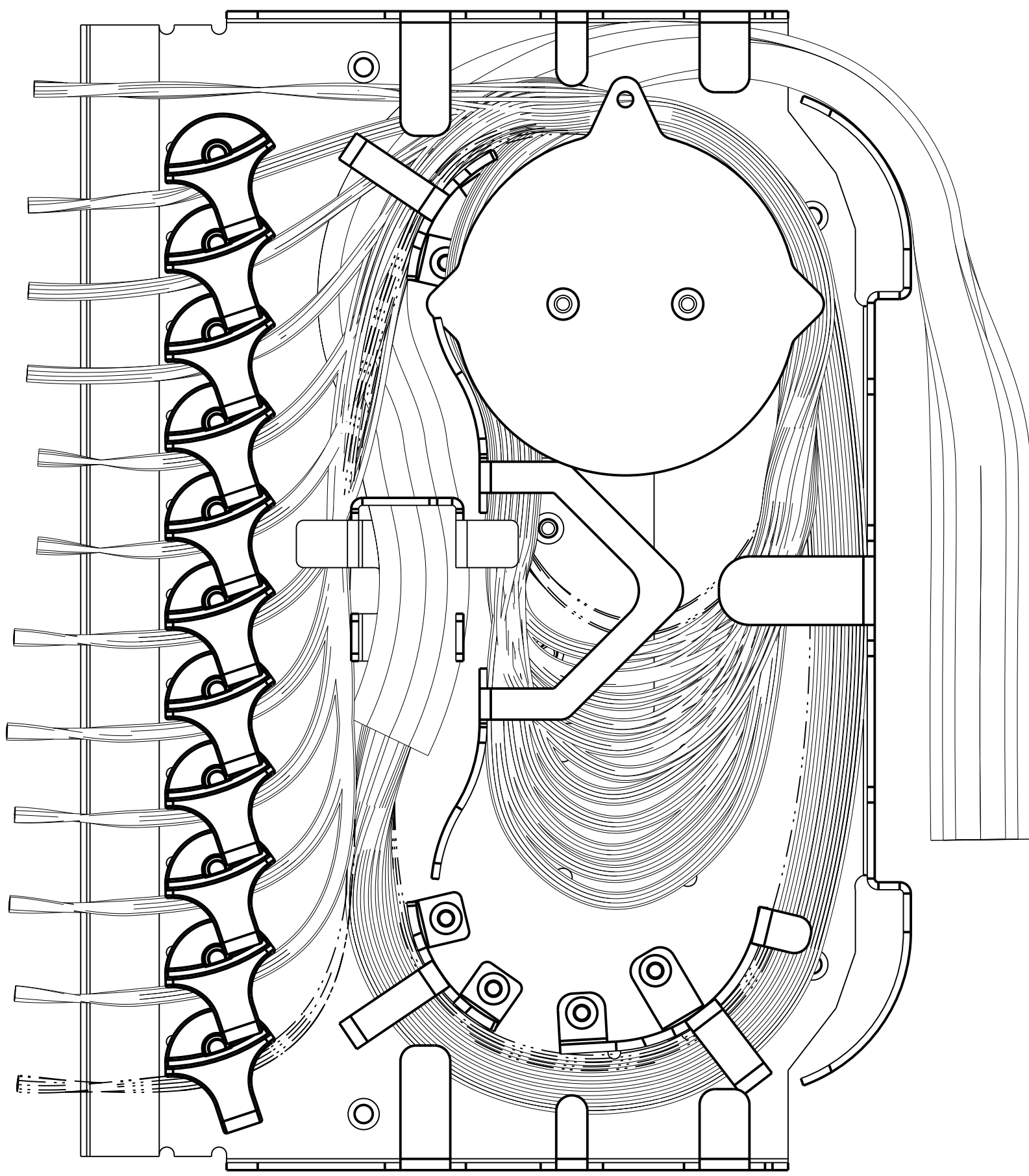
ROW 5

ROW 4

ROW 3

ROW 2

ROW 1



**NOTES:**

- 2. ROUTE ROW 2 AS SHOWN. CONTINUE WITH ROWS 3, THROUGH 12. SEE CONNECTION TABLE FOR CORRECT FIBERS.

**CABLE ROUTING  
STEP 3**

**COMMSCOPE, INC.**

<small>© 2016 COMMSCOPE, INC. CONFIDENTIAL          NOTICE: THESE DRAWINGS AND SPECIFICATIONS ARE THE PROPRIETARY PROPERTY OF COMMSCOPE, INC. AND MAY BE USED ONLY FOR THE SPECIFIC PURPOSE AUTHORIZED IN WRITING BY COMMSCOPE, INC.</small>		TITLE DRAWING REF, CABLE ROUTING, LEFT, CABLE EXIT DOWN	
<small>ALL DIMS AND TOLERANCES .XX:±N/A          ARE INCHES UNLESS .XXX:±N/A          OTHERWISE SPECIFIED ANGULAR:±N/A</small>		C SIZE 300001755411	B REV
DO NOT SCALE DRAWING		ENGR: DAN HERZOG DWN: J. SANTANA LOPEZ	SHT. 3 OF 4



**DIMENSIONS IN INCHES  
 THIRD ANGLE PROJECTION**

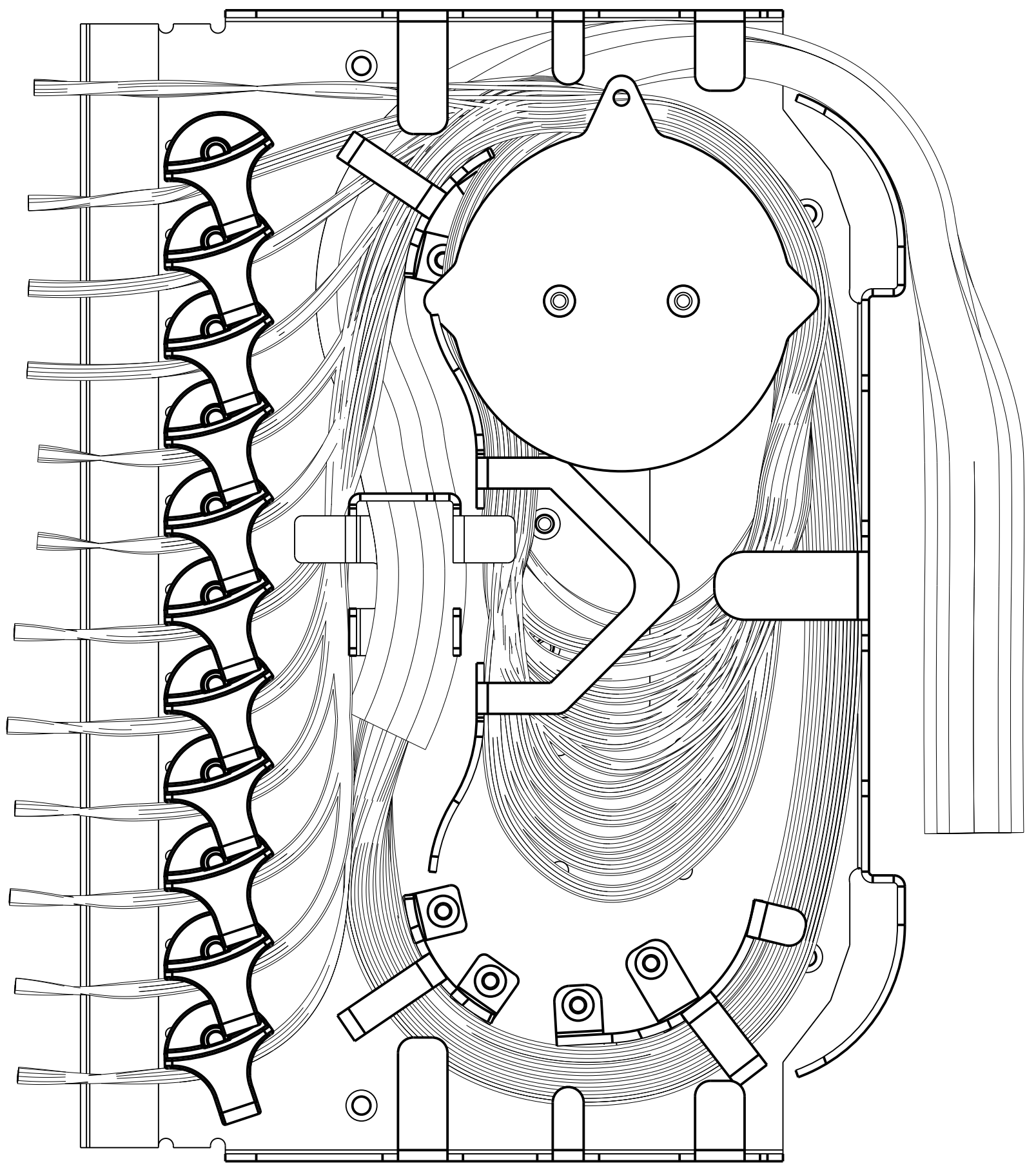
A

B

C

D

ROW 12  
 ROW 11  
 ROW 10  
 ROW 9  
 ROW 8  
 ROW 7  
 ROW 6  
 ROW 5  
 ROW 4  
 ROW 3  
 ROW 2  
 ROW 1



**NOTES:**

- 3. AFTER INSTALLING CABLE, EXTEND ALL ADAPTER PACKS.
- 4. PUSH ADAPTER PACKS BACK IN, CHECK FIBER FOR BENDS. REDRESS FIBERS IF NECESSARY.

FINISHED CABLE ROUTING

COMMSCOPE, INC.

<small>© 2016 COMMSCOPE, INC. CONFIDENTIAL          NOTICE: THESE DRAWINGS AND SPECIFICATIONS ARE THE PROPRIETARY PROPERTY OF COMMSCOPE, INC. AND MAY BE USED ONLY FOR THE SPECIFIC PURPOSE AUTHORIZED IN WRITING BY COMMSCOPE, INC.</small>	TITLE DRAWING REF, CABLE ROUTING, LEFT, CABLE EXIT DOWN		B REV
	ALL DIMS AND TOLERANCES .XX:±N/A ARE INCHES UNLESS .XXX:±N/A OTHERWISE SPECIFIED ANGULAR:±N/A	C SIZE	
DO NOT SCALE DRAWING	ENGR: DAN HERZOG DWN: J. SANTANA LOPEZ	SHT. 4 OF 4	



**DIMENSIONS IN INCHES  
 THIRD ANGLE PROJECTION**