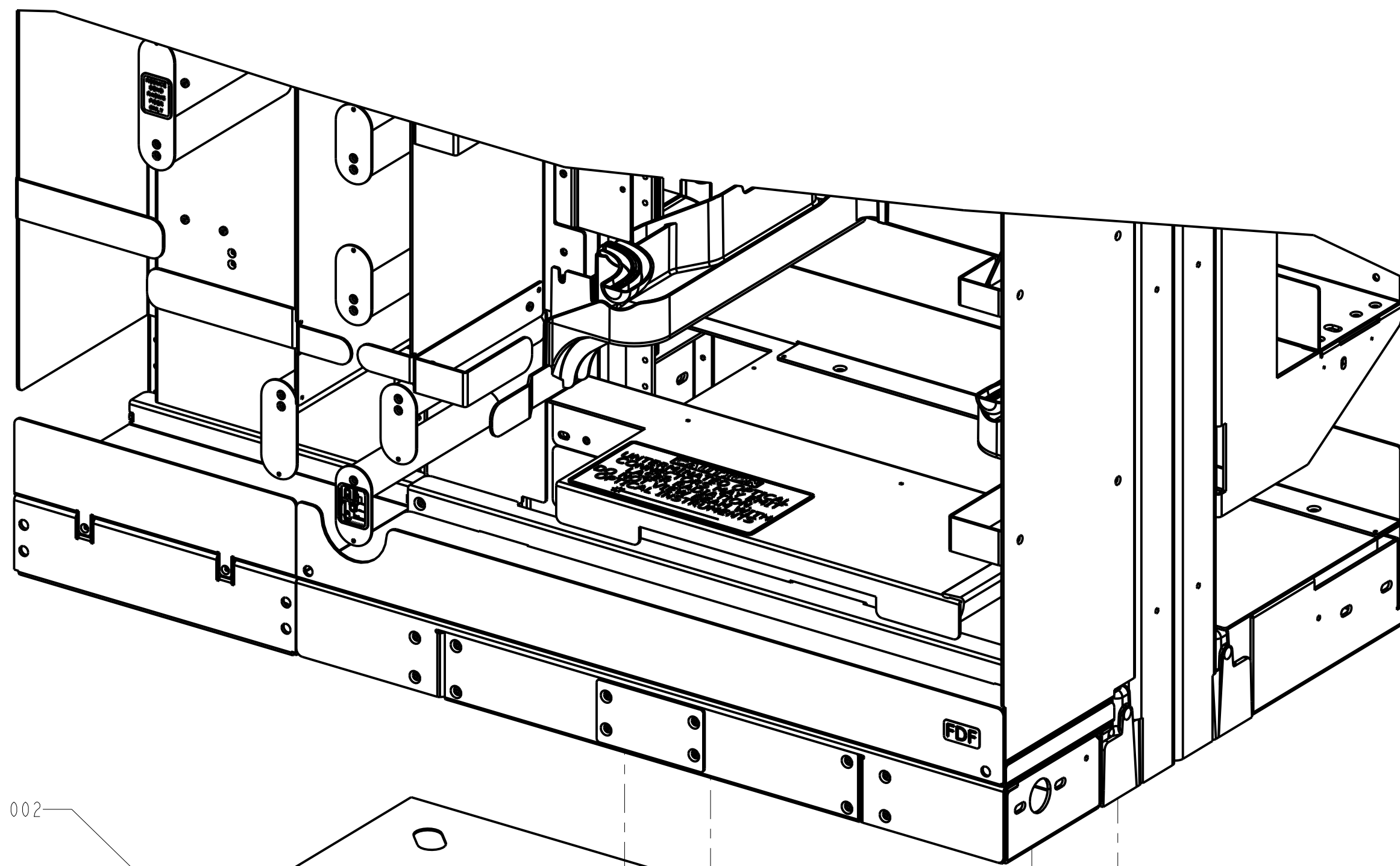
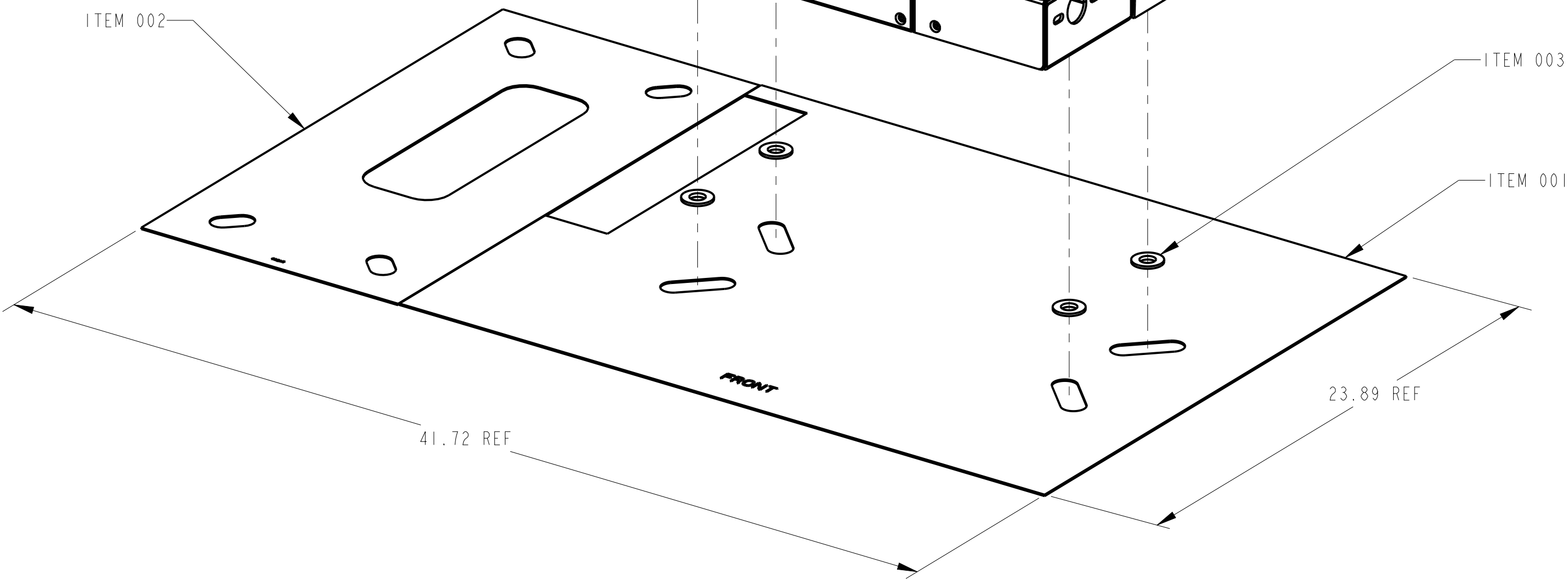


REV	MCO	DWN	DATE
B	20343211	JCA	15-JUL-13
C	8000019180	SC	19-JAN-17



PARTS LIST		
ITEM	DESCRIPTION	QTY
001	NG4 FRAME ISO PAD	1
002	FOTSP ISO PAD	1
003	NYLON SHOULDER WASHER	4



NOTES:

- ISOLATION PAD BE USED AS AN INSTALLATION TEMPLATE ON CONCRETE OR RAISED FLOOR.
- USE SHOULDER WASHER TO ISOLATE INSTALLATION BOLTS FROM FRAME.

COMMSCOPE, INC.

CAT: NG4-ACCISOPIFRM

<small>© 2016 COMMSCOPE, INC. CONFIDENTIAL          NOTICE: THESE DRAWINGS AND SPECIFICATIONS ARE THE PROPRIETARY PROPERTY OF COMMSCOPE, INC. AND MAY BE USED ONLY FOR THE SPECIFIC PURPOSE AUTHORIZED IN WRITING BY COMMSCOPE, INC.</small>		TITLE INSTALL DRW, ISO PAD KIT FOTSP/NGA FRAME	
<small>ALL DIMS AND TOLERANCES ARE INCHES UNLESS OTHERWISE SPECIFIED</small>	<small>.XX:±.XX .XXX:±.XXX ANGULAR:±N/A</small>	C SIZE DRAWING NUMBER 300001775934	C REV
DO NOT SCALE DRAWING		ENGR: JIM SOLHEID DWN: SOUTSADA VONGSENG	SHT. 1 OF 1

DIMENSIONS IN INCHES  
 THIRD ANGLE PROJECTION