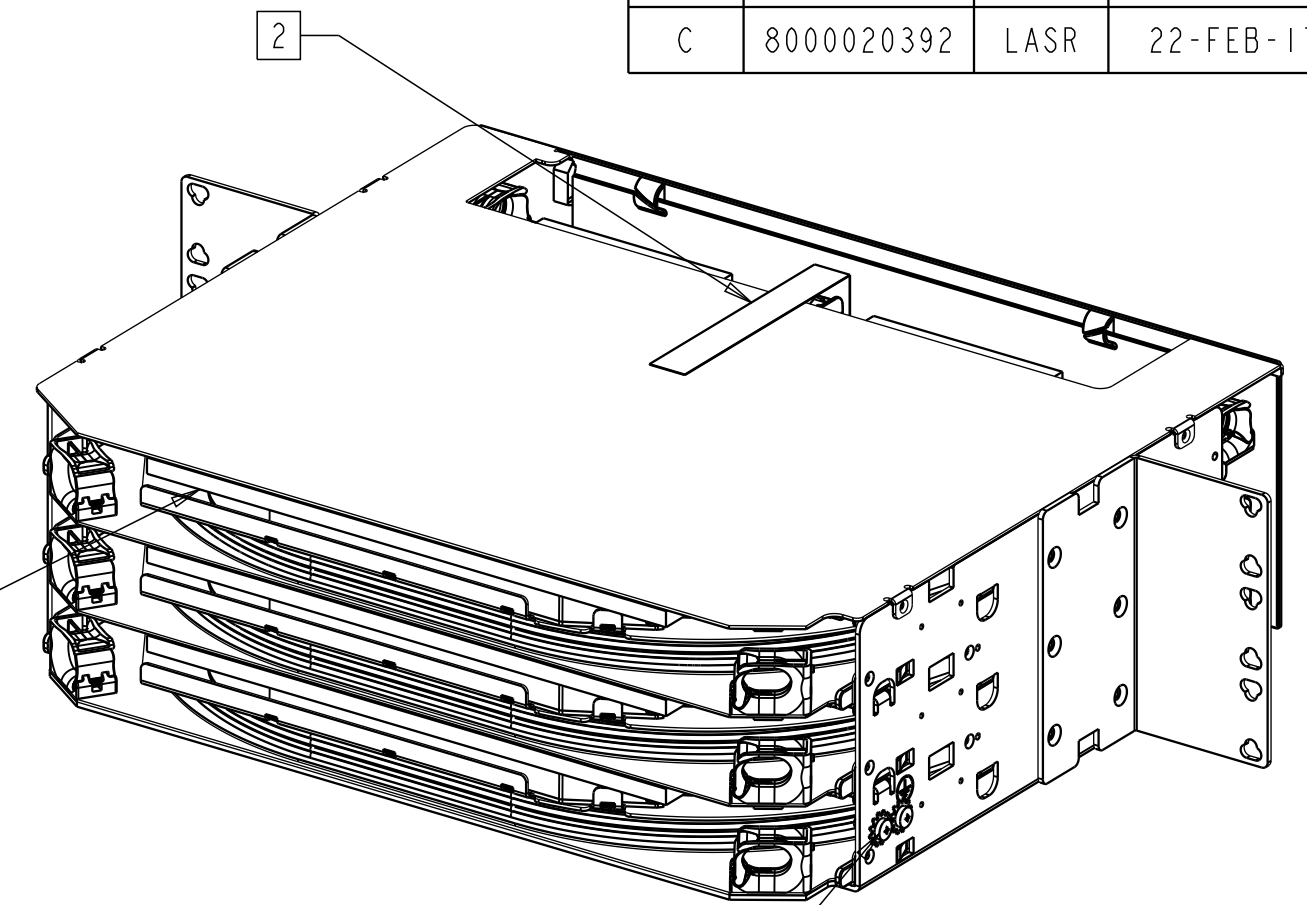
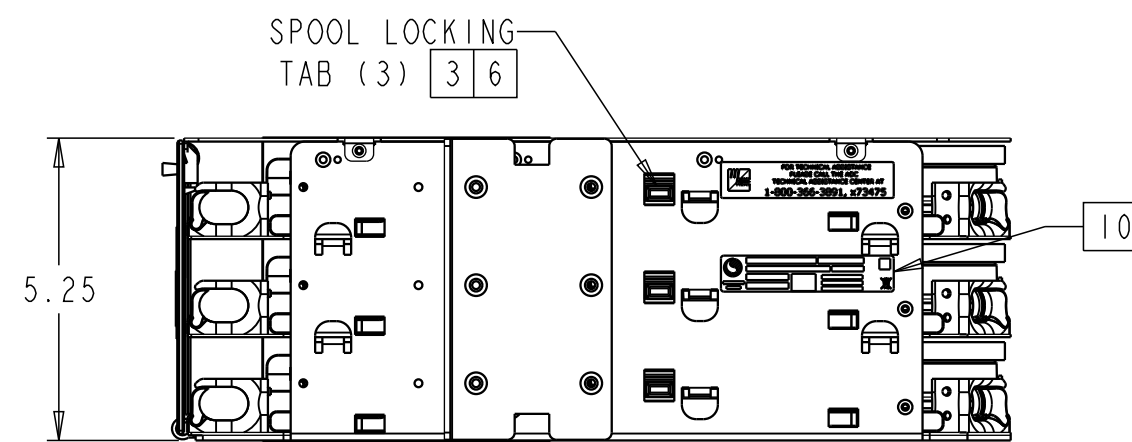
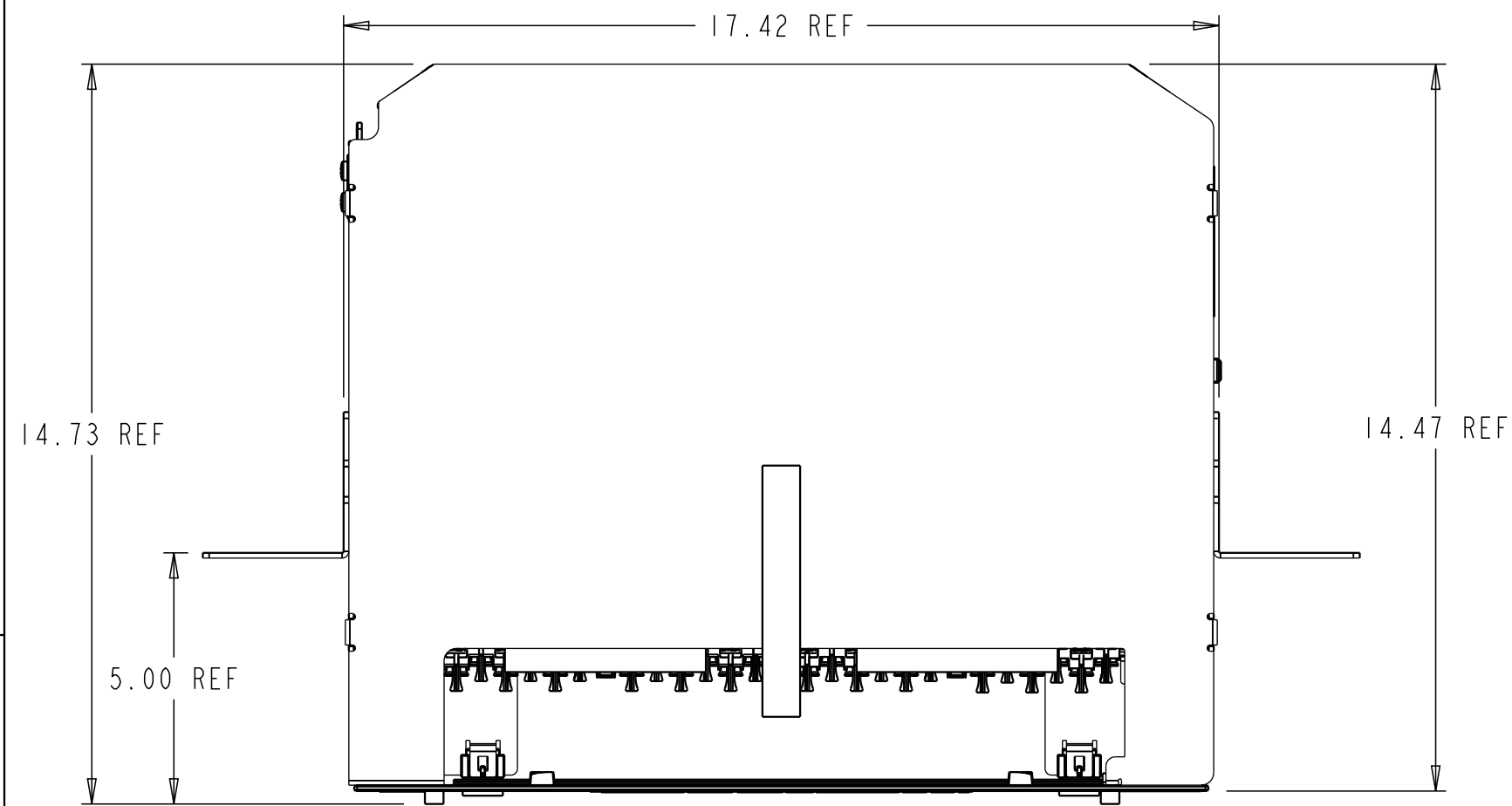
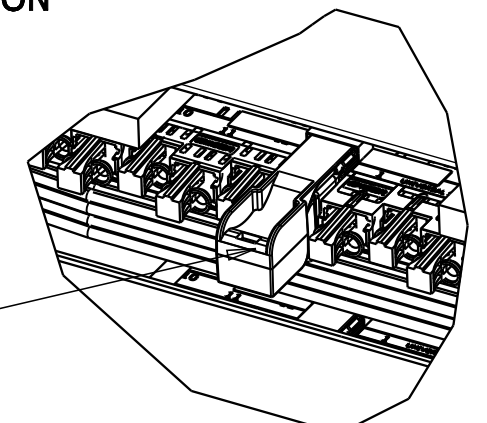


REV	MCO	DWN	DATE
B	40031036MCO	LASR	30-MAY-16
C	8000020392	LASR	22-FEB-17



GROUNDING LOCATION

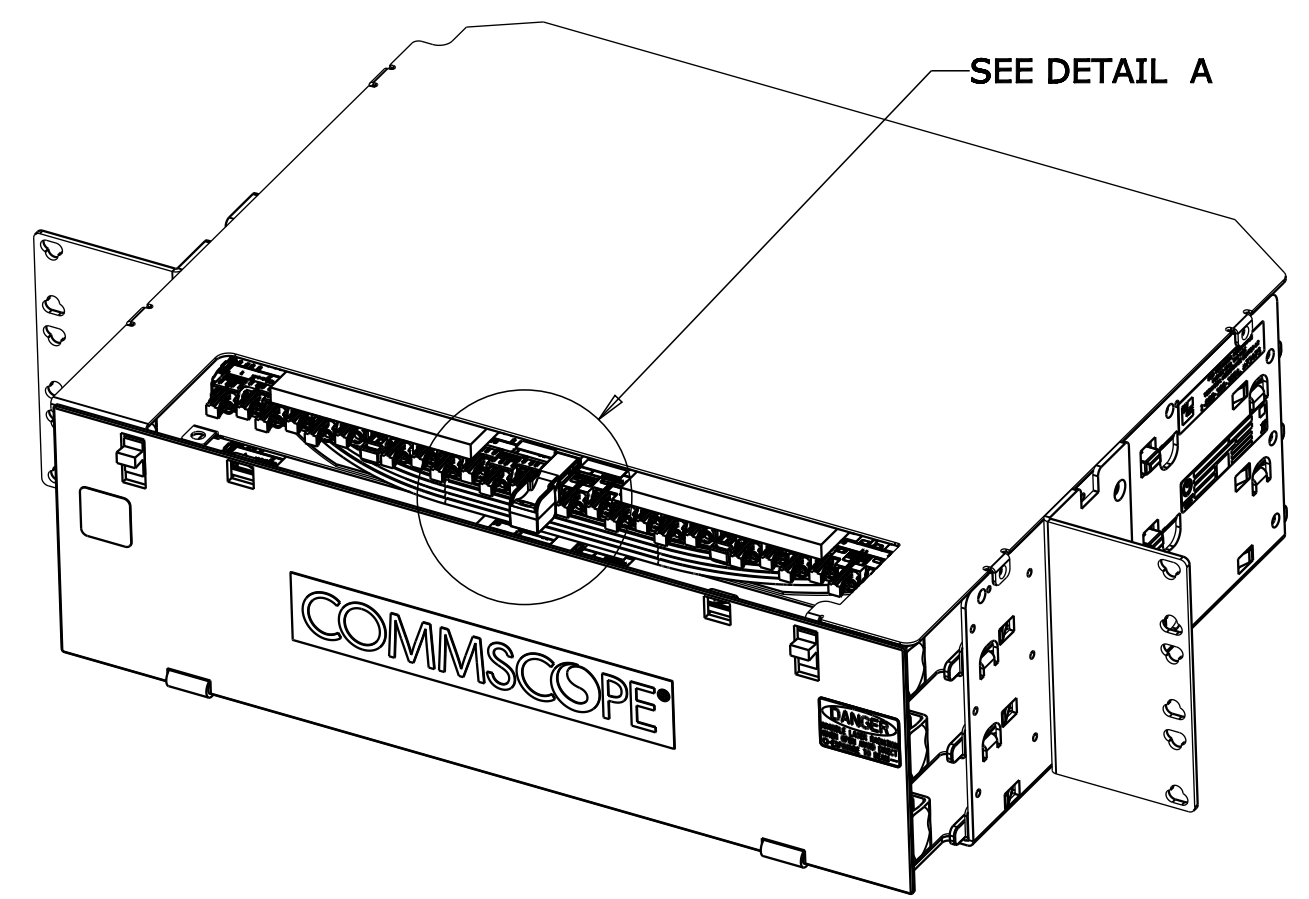


**DETAIL A**  
TAPE AND SHIPPING BRACKET  
NOT SHOWN FOR CLARITY  
SCALE 0.600

**NOTES:**

- INSTALL UNIT INTO RACK IN 23" CONFIGURATION USING 23" MOUNTING BRACKETS, OR 19" CONFIGURATION USING 19" MOUNTING BRACKETS. MOUNTING BRACKETS CAN ALSO BE MOUNTED IN EITHER 2", 4", OR 5" RECESS AND ARE COMPATIBLE WITH EIA AND WECO MOUNTING RACKS. UNIT SHIPS WITH 23" MOUNTING BRACKETS INSTALLED IN THE 5" RECESS POSITION.
- REMOVE TAPE, FOAM INSERTS AND SHIPPING BRACKETS (ROTATE TO PULL OUT). THEN PUSH ADAPTER SLIDING TRAY LATCH (RED) UNTIL REACHES STOP POSITION LOCKING THE SPOOL INTO THE OPERATION POSITION.
- TO PAY-OUT CABLE, THE SPOOL MUST BE IN THE UNLOCKED POSITION TO ALLOW THE SPOOL TO ROTATE. TO UNLOCK SPOOL, SLIGHTLY PULL OUT THE ADAPTER SLIDING TRAY LATCH (RED) TO RELEASE THE SPOOL. WHILE HOLDING THE LATCH OUT, PUSH THE ADAPTER SLIDING TRAY BACK SLIGHTLY, THEN PUSH THE LATCH IN UNTIL IT LOCKS INTO THE PAY-OUT POSITION. NOW THE SPOOL LOCKING TAB SHOULD BE RETRACTED FROM THE SIDE OF THE PANEL.
- PAY-OUT CABLE TO DESIRED LENGTH USING ONLY THE ATTACHED PULLING EYE OR PULLING SOCK FOR TENSION. (DO NOT EXCEED 40 LB OF FORCE WHEN PULLING CABLE) IF SPOOL IS FULLY PAID OUT, ROTATE SPOOL COUNTER-CLOCKWISE WITH CONSTANT TENSION ON THE CABLE TO RECOIL 3 WRAPS BACK ONTO THE SPOOL.
- IF DESIRED, THE CABLE CAN BE PAID-OUT THROUGH DIFFERENT CORNERS OF THE CHASSIS.
- TO RELOCK SPOOL TO PREVENT ROTATION AFTER PAYING OUT CABLE, ROTATE SPOOL UNTIL ADAPTER SLIDING TRAY LATCH (RED) IS IN IT'S ORIGINAL POSITION, PULL LATCH FORWARD UNTIL LOCKS INTO THE OPERATIONAL POSITION. SPOOL LOCKING TAB SHOULD NOW BE EXTENDED THROUGH THE SIDE OF THE PANEL.
- THE RAPID PANEL IS INSTALLED IN ENVIRONMENTALLY CONTROLLED NETWORK TELECOMMUNICATIONS FACILITIES IN CO'S, CEVS AND DATA CENTERS.
- GROUND THE UNIT TO THE LOCAL FACILITY CBN OR IBN PER LOCAL PRACTICE.
- THE PANEL STORES 100 FEET OF 3MM DUAL ZIP CABLE INSIDE COILED IN THE SPOOL.

INCLUDED COMPONENTS	QTY
#12 MOUNTING SCREW	4
#12 MOUNTING WASHER	4
4-40 MACHINE SCREWS (11)	6
CABLE TIES	4
19" MOUNTING BRACKETS	2
DESIGNATION PLATE	3
CLEANING AND MATING INSTRUCTIONS	1
MPO CLEANING INSTRUCTIONS (11)	1
USER MANUAL	1
INSTALLATION DRAWING	1
FIBER OPTIC TEST RESULTS	1



(10) SERIAL LABEL LOCATED HERE.

(11) COMPONENT MAY NOT BE INCLUDED, CONFIGURATION DEPENDANT.

COMMSCOPE, INC.

© 2016 COMMSCOPE, INC. CONFIDENTIAL NOTICE: THESE DRAWINGS AND SPECIFICATIONS ARE THE PROPRIETARY PROPERTY OF COMMSCOPE, INC. AND MAY BE USED ONLY FOR THE SPECIFIC PURPOSE AUTHORIZED IN WRITING BY COMMSCOPE, INC.		TITLE INSTALLATION DRAWING, RAPID PANEL 3RU	
ALL DIMS AND TOLERANCES ARE INCHES UNLESS OTHERWISE SPECIFIED	.XX:±N/A .XXX:±N/A ANGULAR:±N/A	C SIZE	DRAWING NUMBER 300100111539
DO NOT SCALE DRAWING	ENGR: DENNIS KRAMPOTICH DWN: R. CAZARES	C REV	
		SHT. 1 OF 1	

DIMENSIONS IN INCHES  
THIRD ANGLE PROJECTION