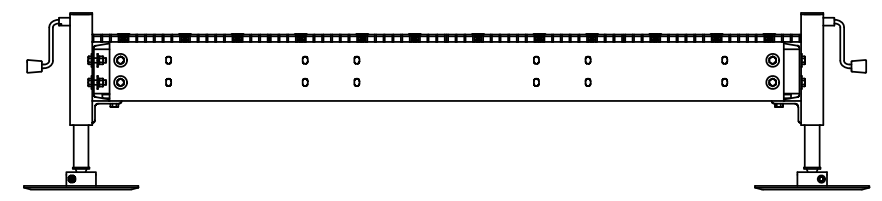
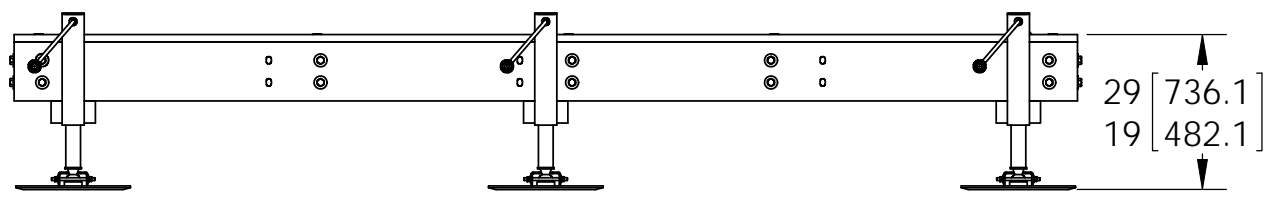
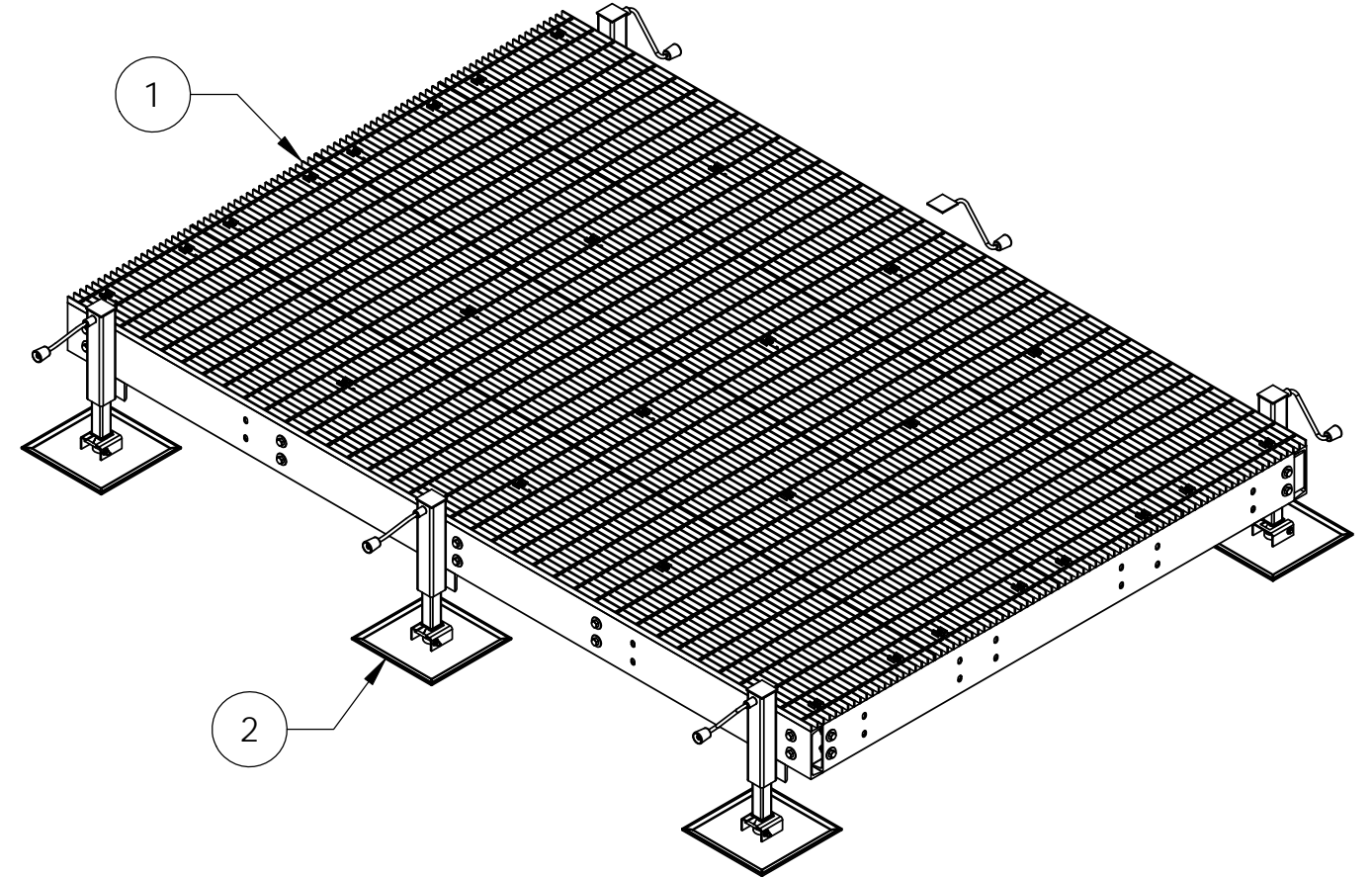
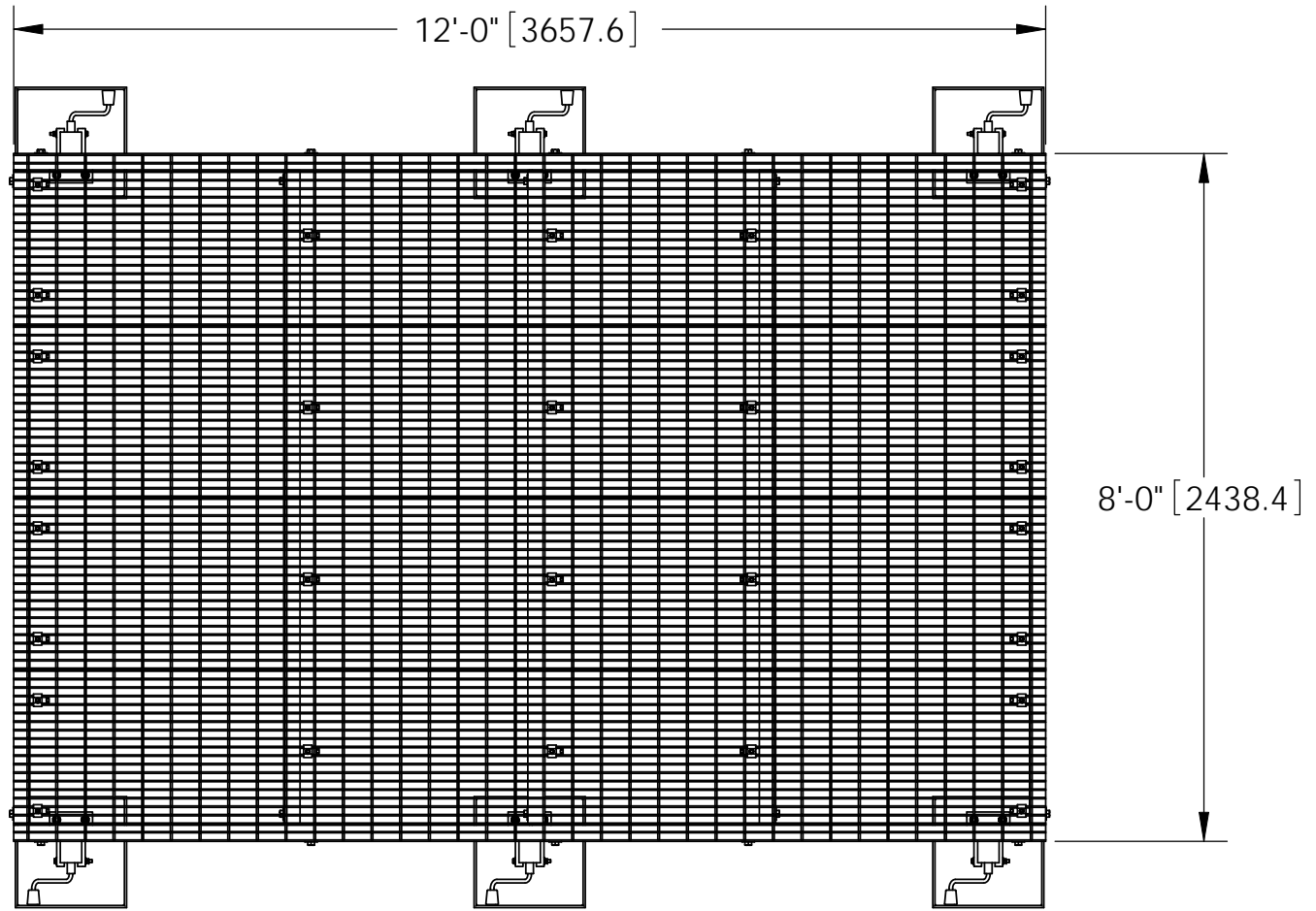



ITEM	PART NO.	DESCRIPTION	QTY.	WEIGHT
1	EQ-P0812-B	8' X 12' PLATFORM BASE	1	1494.89 LBS
2	EQ-P-AL	ADJUSTABLE LEG KIT FOR EQ-P SERIES	6	56 LBS

REVISIONS				
REV.	ZONE	DESCRIPTION	BY	DATE
A		INITIAL RELEASE	MSM	11/10/11
B		UPDATE WEIGHTS	MSM	04/04/12



NOTES:  
1. ALL METRIC DIMENSIONS ARE IN BRACKETS.

<small>These drawings and specifications are the proprietary property of ANDREW CORPORATION and may be used only for the specific purpose authorized in writing by Andrew Corporation.</small> ALL DIMENSIONS ARE IN INCHES U.O.S. TOLERANCES UNLESS OTHERWISE SPECIFIED: .X = ± .12      ANGLES      ±2° .XX = ± .06      FRACTIONS      ±1/32 .XXX = ± .03 REMOVE BURRS AND BREAK EDGES .005 DO NOT SCALE THIS PRINT	DRAWN BY: MSM	SHEET: 1 of 1	PART NUMBER: EQ-P0812-AL
	CHECKED BY: TP	SCALE: NTS	DESCRIPTION: 8' X 12' PLATFORM w/ EQ-P-AL
	DATE: 11/10/11	MATERIAL: A36, A568	DRAWING TYPE: ASSEMBLY DRAWING
	REVISION: <b>B</b>	FINISH: GALV A123 WEIGHT: 1830.89 LBS	 ORLAND PARK, IL. 60462 U.S.A.