

4

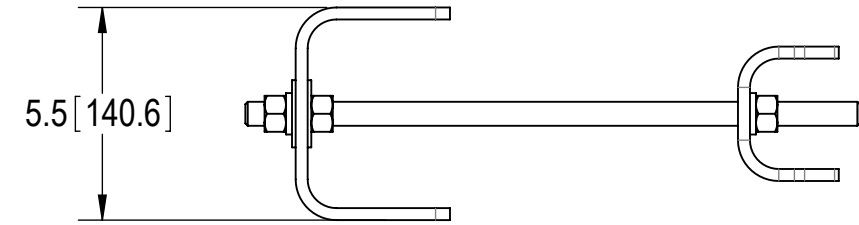
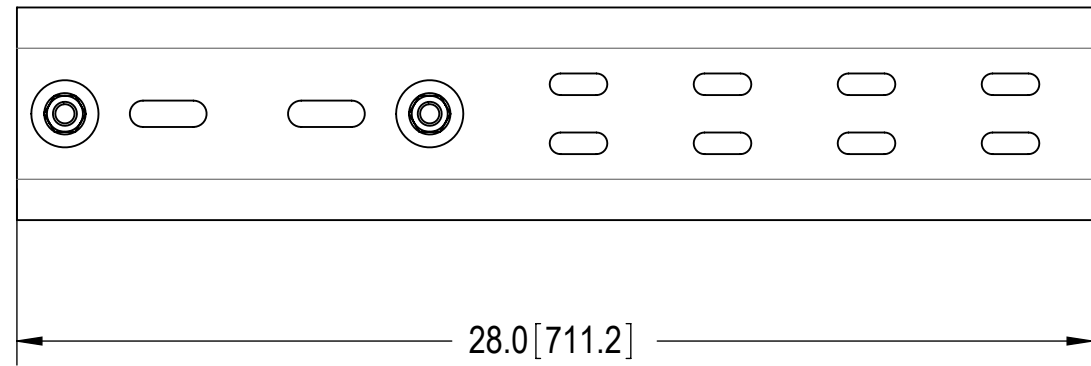
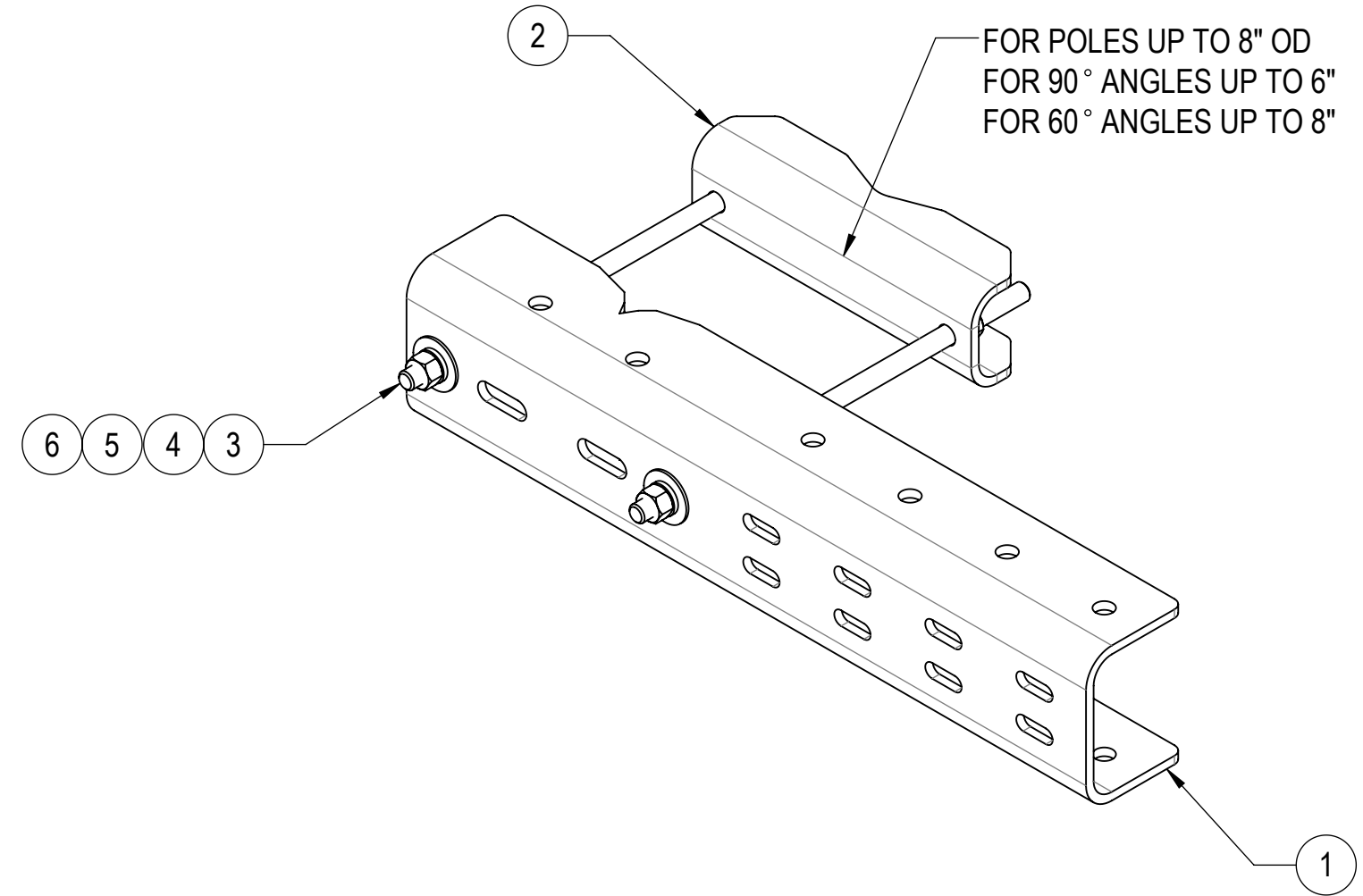
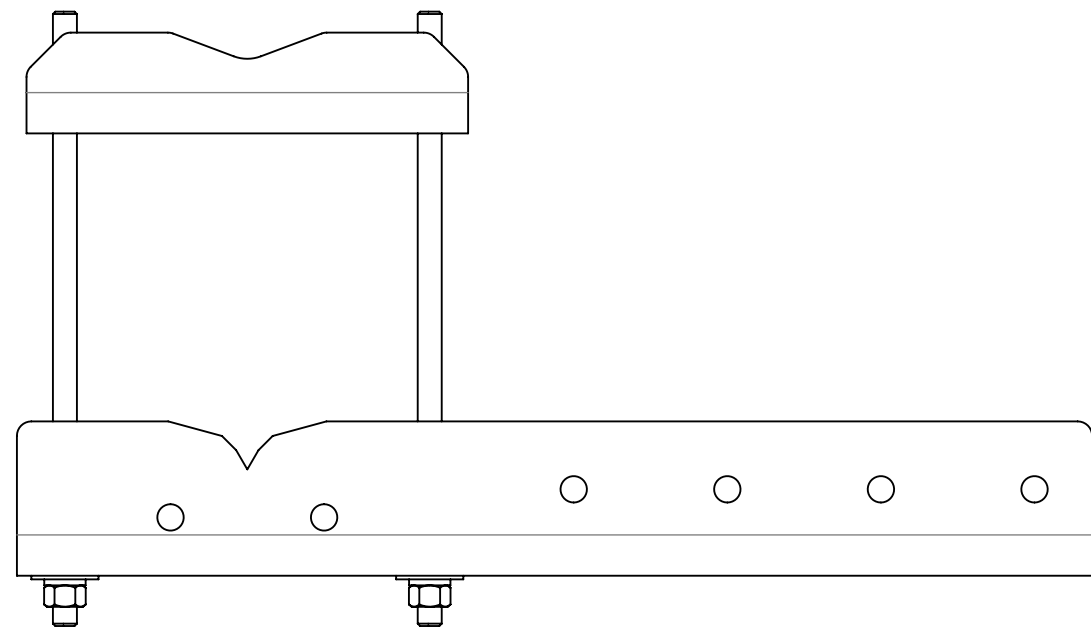
3

2

1

- 1.0 GENERAL NOTES
 - 1.1 ALL METRIC DIMENSIONS ARE IN BRACKETS [X. X]
 - 1.2 FOR PATENT INFO: <https://www.cs-pat.com>
- 2.0 DESIGN NOTES
- 3.0 MANUFACTURING/SPECIAL REQUIREMENTS
 - 3.1 TIGHTEN ALL BOLTS SECURING FLAT PLATES BY THE TURN-OF-NUT METHOD. TIGHTEN ALL U-BOLTS USING TURN-OF-NUT METHOD WITH ATTENTION TO LEAVE EQUAL DISTANCE AND EQUAL FORCE ON EACH LEG OF THE U-BOLT.
- 4.0 TEST
- 5.0 PACKAGING
 - 5.1 PACKAGING SHALL MEET COMMSCOPE REQUIREMENTS PER DOCUMENT IS-PL-3005
 - 5.2 PRINTED DOCUMENT TO BE PLACED INSIDE POLYBAG AND THEN IN SHIPPING CONTAINER
 - 5.3 EXTRA HARDWARE MAY BE SUPPLIED, BAGGED AND SHIPPED

REVISIONS			
REV.	DESCRIPTION	DATE	APPROVED
A	INITIAL RELEASE	MSM 27APR11	TP
B	MTC397521 WAS SMU208006; HARDWARE UPDATED;	YX1027 08MAY24	BCROSS 40194456CMO



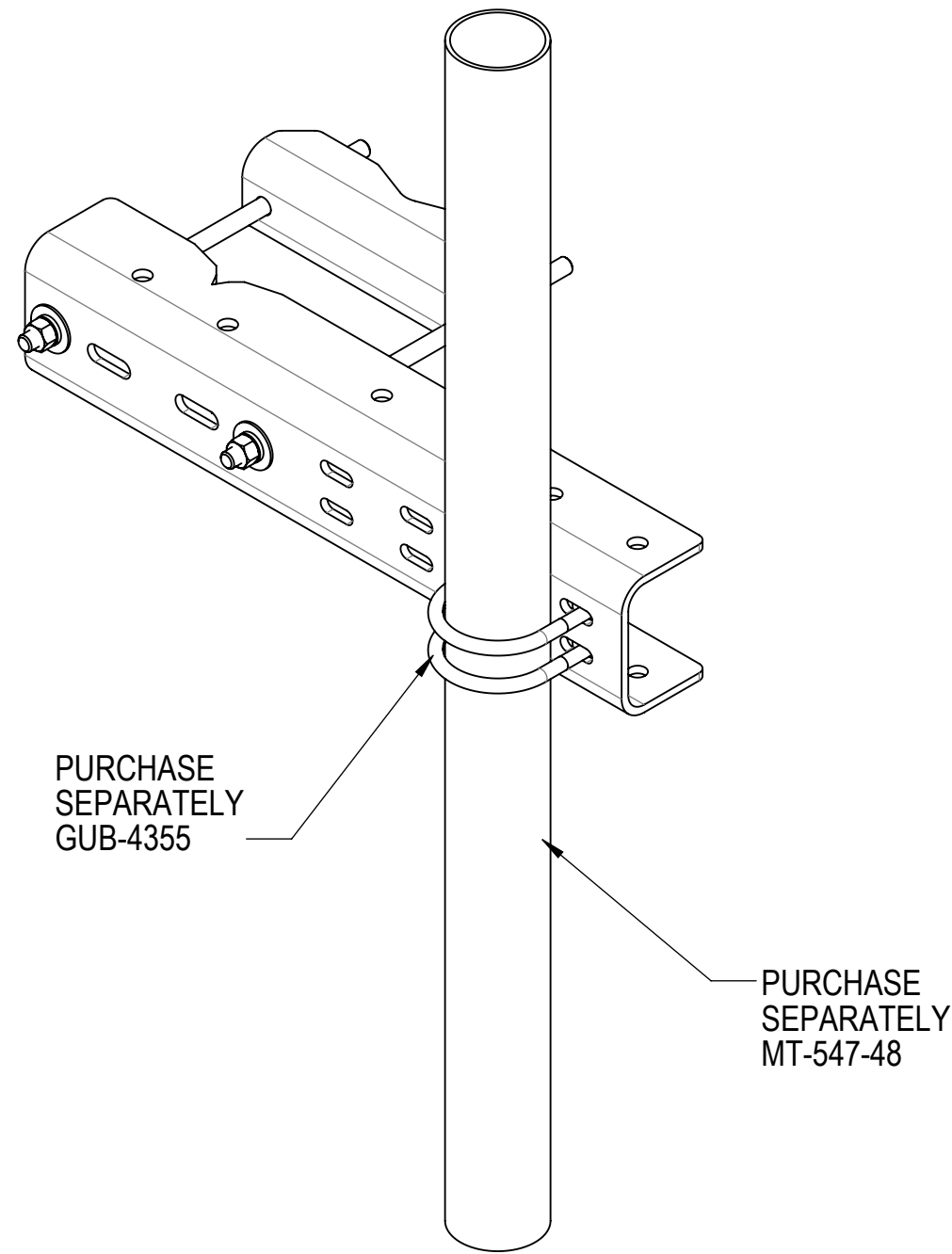
COMPONENT PART NUMBERS PROVIDED FOR ASSEMBLY PURPOSES;
INDIVIDUAL COMPONENTS MAY BE SHIPPED AS PARTS WITHIN AN INCLUDED KIT.

ITEM	PART NO.	DESCRIPTION	QTY.	WEIGHT	NOTE NO.
1	MDVSS01	MICROWAVE DISH VERTICAL STRUT SUPPORT BRACKET	1	28.48 LBS	
2	MTC397521	CLAMP, BACK	1	6.94 LBS	
3	MT-382-16	5/8" X 16" GALV THREADED ROD	2	1.38 LBS	
4	GWf-05	5/8" GALV FLAT WASHER, 1.7OD	4	0.06 LBS	
5	GWL-05	5/8" GALV LOCK WASHER	4	0.03 LBS	
6	GN-05	5/8" GALV HEX NUT	6	0.08 LBS	

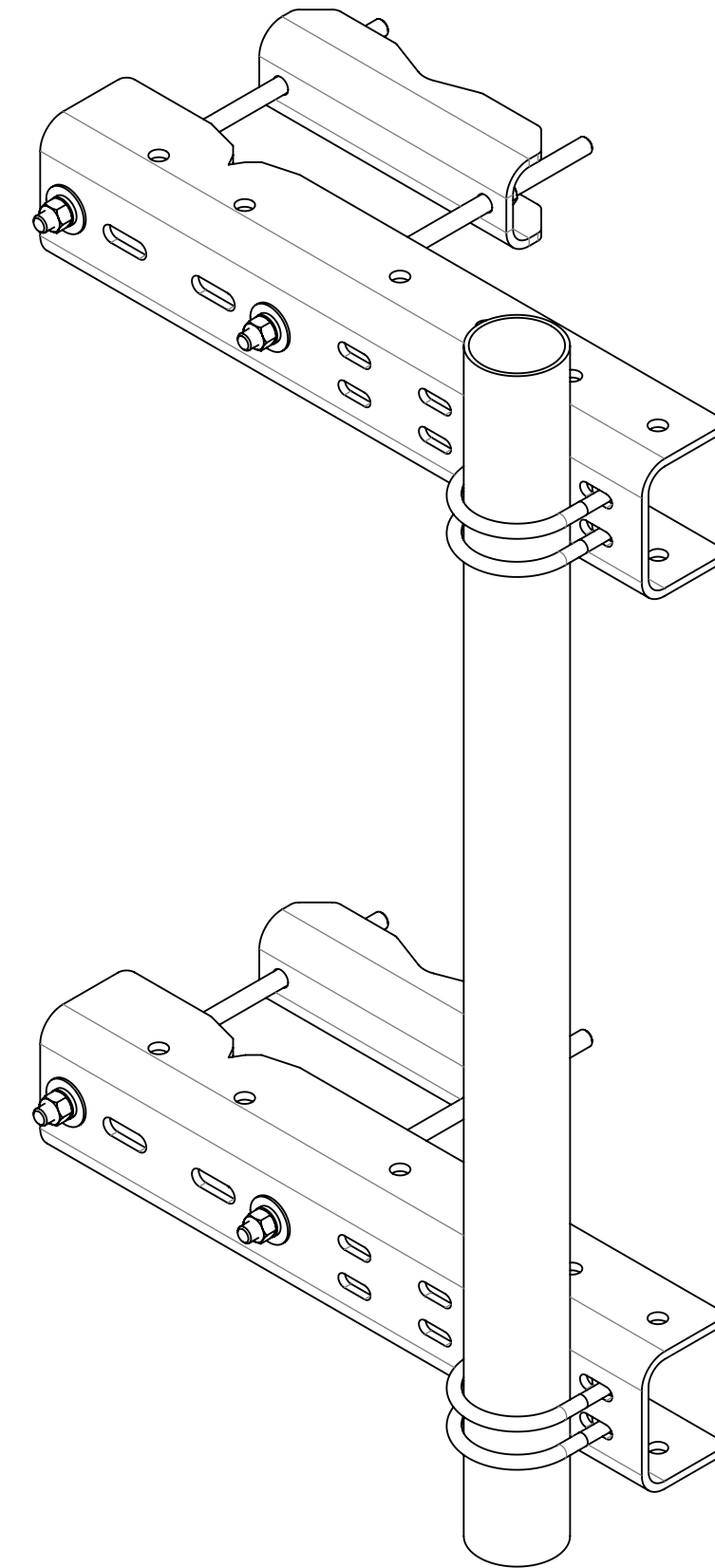
DENSITY		lbs/in ³
MASS	39.00	lbs
VOLUME	138.40	in ³
SURFACE AREA	977.55	in ²
HEIGHT	5.54"	
LENGTH	28"	
WIDTH	16"	

COMMSCOPE, INC. OF NORTH CAROLINA																	
TOLERANCES						SAP MATERIAL MASTER											
1 PLACE .X[X] ± .12[3.0]			3 PLACE .XXX[X] ± .03[0.8]			MD-VSS-B											
2 PLACE .XX[X] ± .06[1.5]			ANGLES ± 2°														
FINISH						MATERIAL											
MICROWAVE DISH VERTICAL STRUT SUPPORT																	
MD-VSS-B																	
SCALE		DOCUMENT NO.															
1:8																	
SIZE				MODEL				DRAWING				SHEET 1 OF 2					
Auth Group		INSL		VERSION		STATUS		REVISION		VERSION			STATUS		REVISION		
C		⊕		◁		01		RE		B		01		RE		B	

MOUNTING OPTIONS



SINGLE MOUNT



DUAL MOUNT

COMMSCOPE, INC. OF NORTH CAROLINA				
TITLE MICROWAVE DISH VERTICAL STRUT SUPPORT				
SIZE C	SCALE 1:8	DOCUMENT NO. MD-VSS-B		
		DRAWING		SHEET
		VERSION	STATUS	REVISION
		01	RE	B
				2 OF 2

