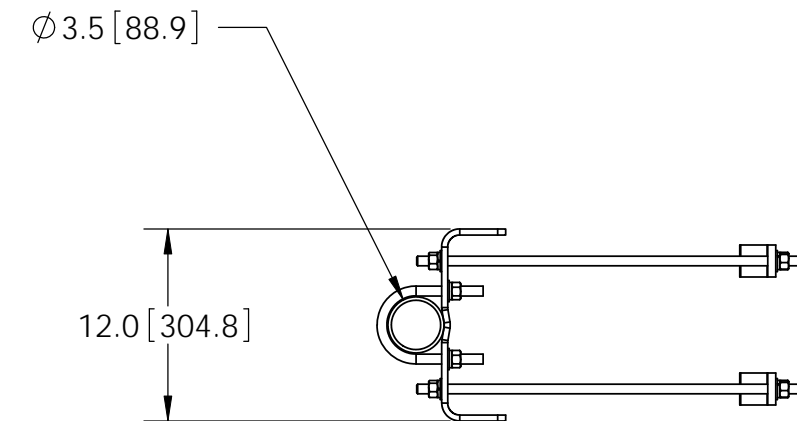
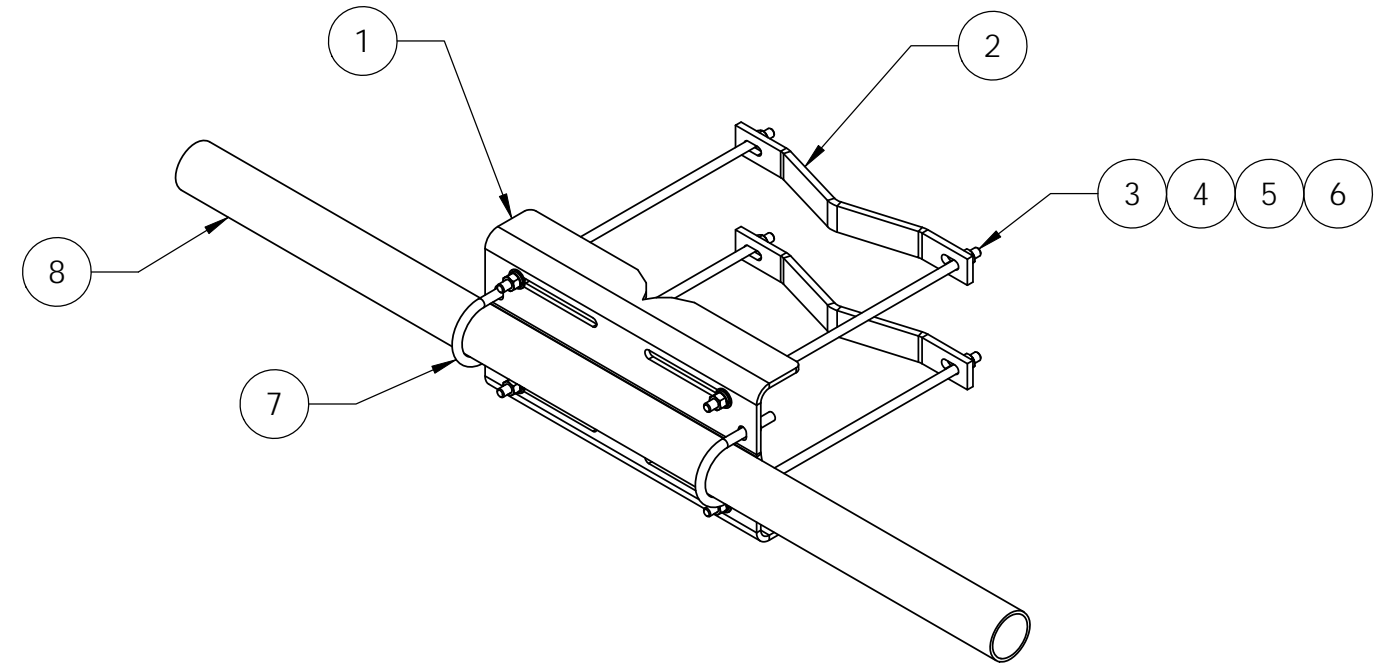
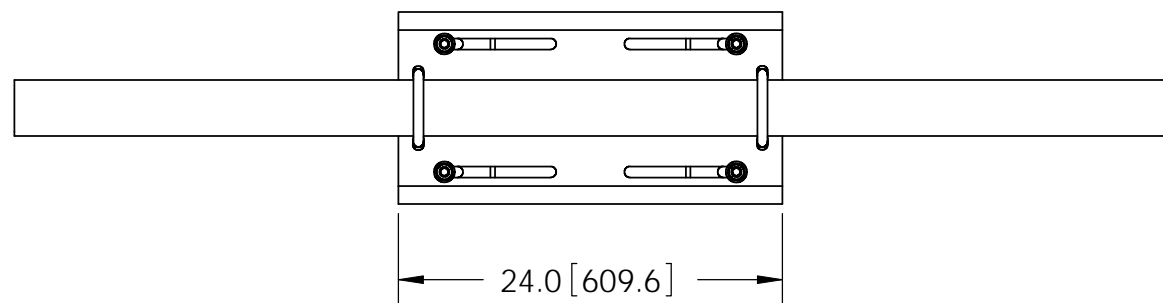
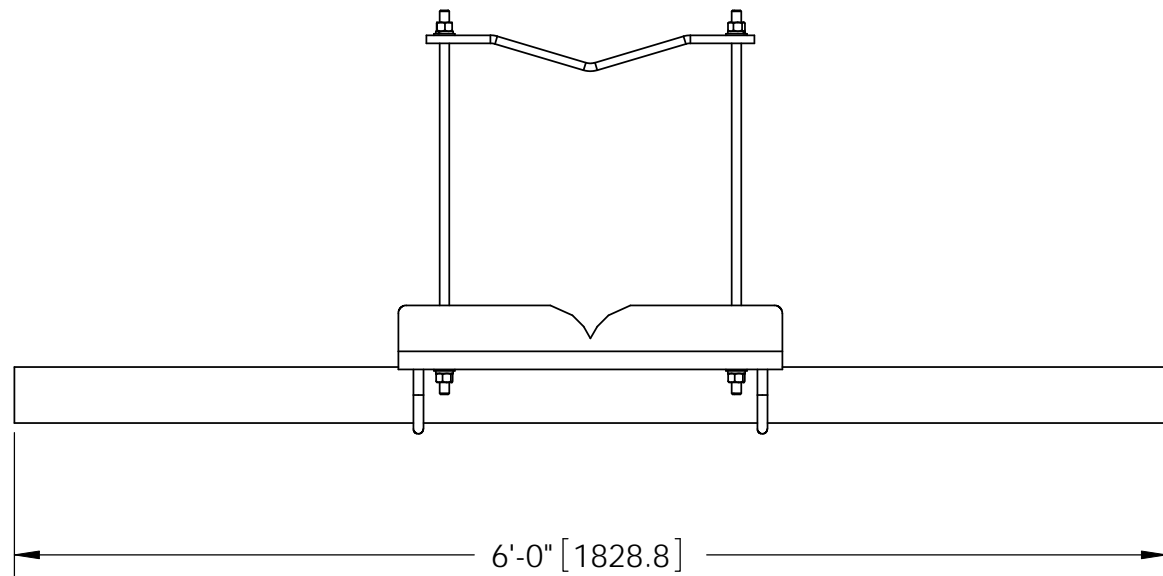


ITEM	PART NO.	DESCRIPTION	QTY.	WEIGHT
1	MDLSS01	Microwave Dish Strut Support Channel	1	43.71 LBS
2	MDLCS02	MDLCS Half Clamp 6" - 12" 90deg	2	5.71 LBS
3	MT-382-24	5/8" X 24" THREADED ROD	4	1.93 LBS
4	GWF-05	5/8" GALV FLAT WASHER	8	0.00 LBS
5	GWL-05	5/8" GALV LOCK WASHER	8	0.03 LBS
6	GN-05	5/8" GALV HEX NUT	8	0.08 LBS
7	GUB-53560	5/8" X 3-5/8" X 6" GALV U-BOLT	2	1.30 LBS
8	MT54772	3.50" OD x 72" Pipe	1	45.21 LBS

REVISIONS				
REV.	ZONE	DESCRIPTION	BY	DATE
A		INITIAL RELEASE	OGG	07/06/10



NOTES:

- ALL METRIC DIMENSIONS ARE IN BRACKETS.
- FITS 90° 6" TO 12" ANGLE, 60° 8" TO 16" ANGLE, 8" TO 16" OD LEGS.

These drawings and specifications are the proprietary property of ANDREW CORPORATION and may be used only for the specific purpose authorized in writing by Andrew Corporation. ALL DIMENSIONS ARE IN INCHES U.O.S. TOLERANCES UNLESS OTHERWISE SPECIFIED: .X = ± .12 ANGLES ±2° .XX = ± .06 FRACTIONS ±1/32 .XXX = ± .03 REMOVE BURRS AND BREAK EDGES .005 DO NOT SCALE THIS PRINT	DRAWN BY: OGG	SHEET: 1 of 1	PART NUMBER: MDL-SS-6R
	CHECKED BY: TP	SCALE: NTS	DESCRIPTION: Microwave Dish 6' Strut Support
	DATE: 07/02/10	MATERIAL: A36, A53	DRAWING TYPE: ASSEMBLY DRAWING
	REVISION: A	FINISH: GALV A123	WEIGHT: 112.28 LBS