

**NG3**

**NG4access**

**NG3**

**FRONT VIEW**

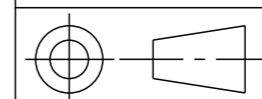
**PARTS LIST**

ITEM NUMBER	DESCRIPTION	QUANTITY	INSTALLATION DETAILS
001	BRACKET LEFT SIDE	2	SHEET 2
002	BRACKET, FRAME SPLICE	12	SHEET 5
003	BRACKET, RIGHT SIDE	2	SHEET 3
004	BEND RADIUS LIMITER	6	SHEET 4
008	12-24 X .312 PAN HEAD SCREW	8	SHEET 2
009	#10-32 FLAT HEAD SCREW	48	SHEET 5
010	12-24 X .50 PAN HEAD SCREW	8	SHEET 3
011	EXTERNAL TOOTH LOCKWASHER	16	SHEET 2, 3
012	#4-40 FLAT HEAD SCREW	12	SHEET 4

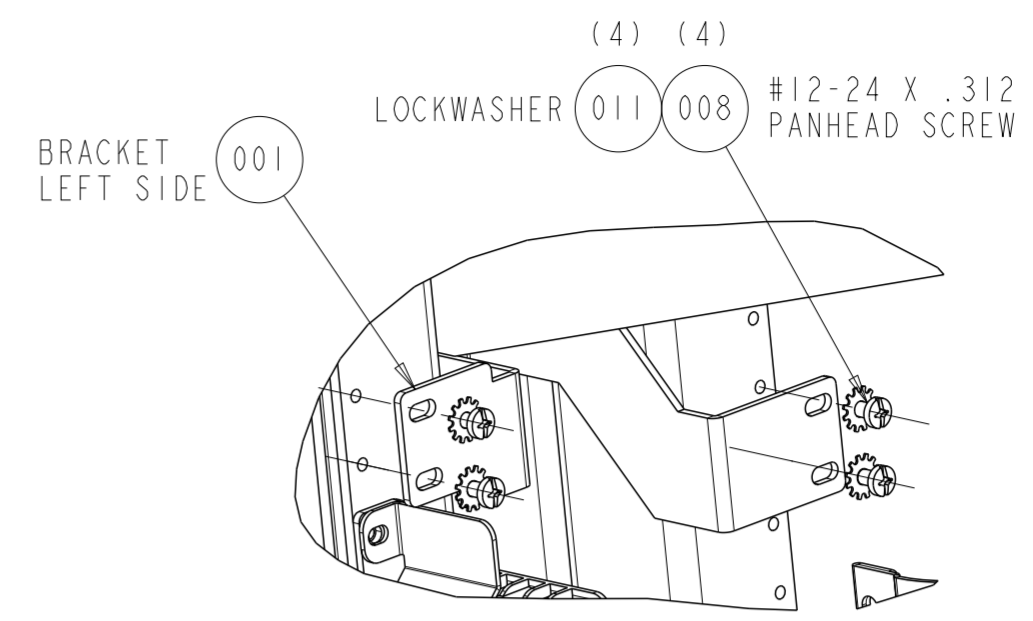
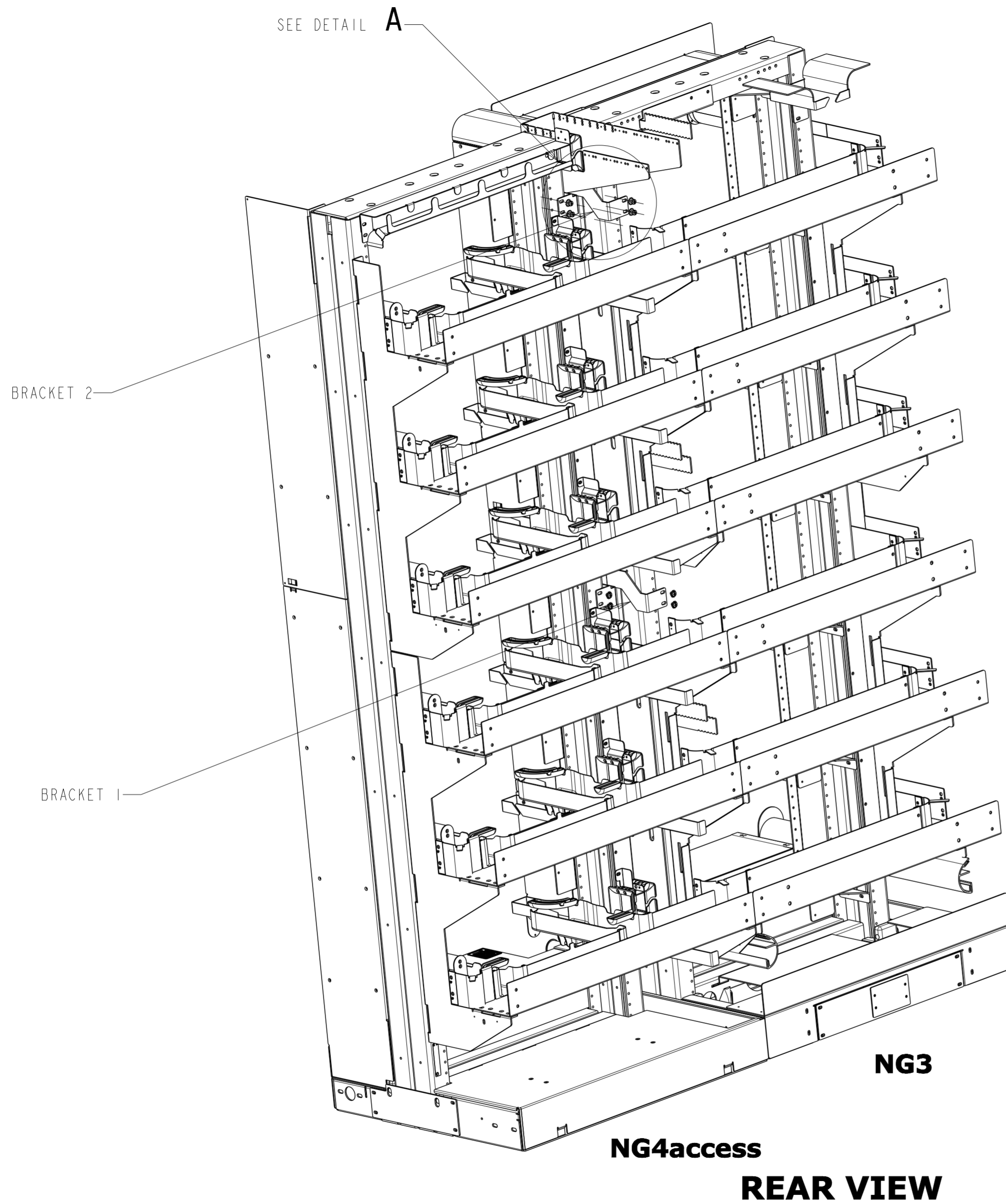
NG4-ACCNG3TRANS-W  
 NG4-ACCNG3TRANS  
**CATALOG NUMBERS**

**COMMSCOPE, INC.**

DRAFTER MIGUEL ANGEL MUÑOZ		TITLE NG3 TO NG4access FRAME TRANSITION KIT	
ENGINEER JOSE ANGEL JARA	SIZE A2	SCALE 0.125	DOCUMENT NO. <b>300001761883</b>
CUSTOMER DRAWING			REVISION F
			SHEET 1 OF 5



**LEFT SIDE**



**DETAIL A**  
2 PLACES  
SCALE 0.375

INSTALLATION INSTRUCTIONS:

1. ATTACH THE LEFT SIDE BRACKET (ITEM 001) USING #12-24 X .312 PAN HEAD SCREWS (ITEM 008) QTY 4 AND LOCK WASHERS (ITEM 011) QTY 4 IN 2 PLACES AS SHOWN.

<b>COMMSCOPE, INC.</b>			
DRAFTER MIGUEL ANGEL MUÑOZ		TITLE NG3 TO NG4access FRAME TRANSITION KIT	
ENGINEER JOSE ANGEL JARA		SIZE A2	SCALE 0.125
		DOCUMENT NO. <b>300001761883</b>	
CUSTOMER DRAWING			REVISION F
			SHEET 2 OF 5

# RIGHT SIDE

SEE DETAIL B

BRACKET  
RIGHT SIDE

003

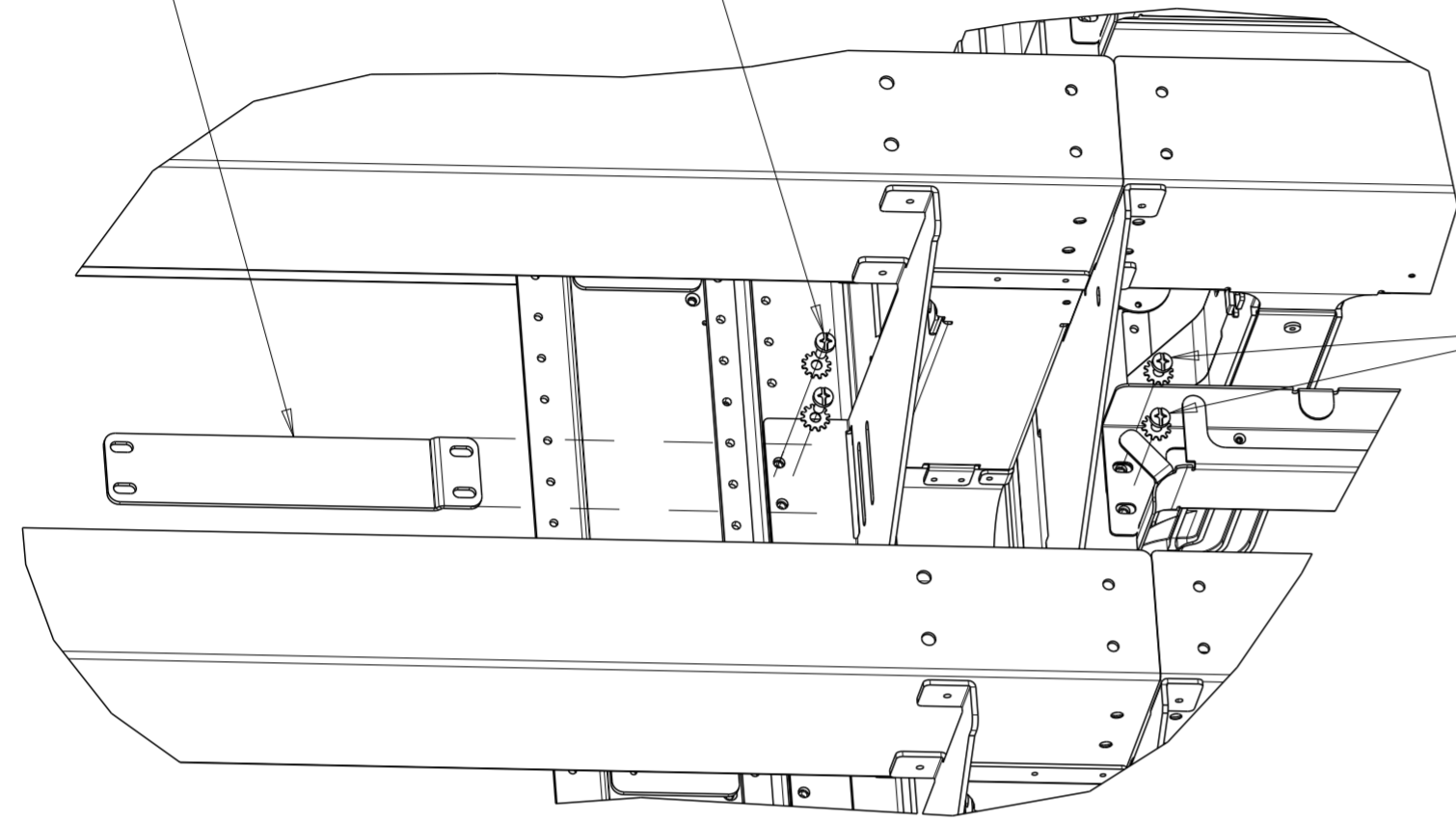
#12-24 X .50  
PANHEAD SCREW

(4) (4)  
010 011

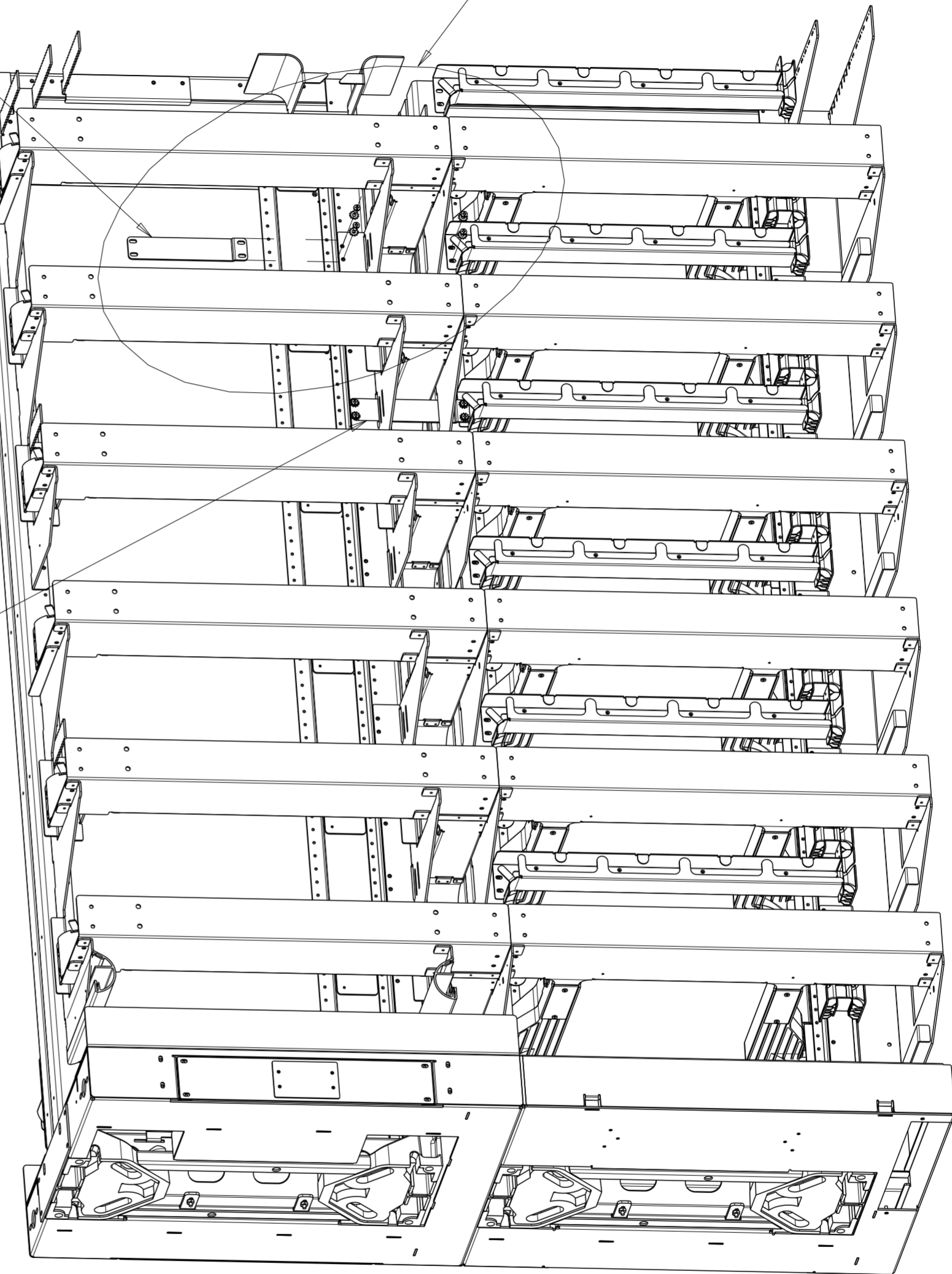
LOCKWASHER

BRACKET 2

BRACKET 1



DETAIL **B**  
2 PLACES  
SCALE 0.250



**NG3**

**NG4access**

# REAR VIEW

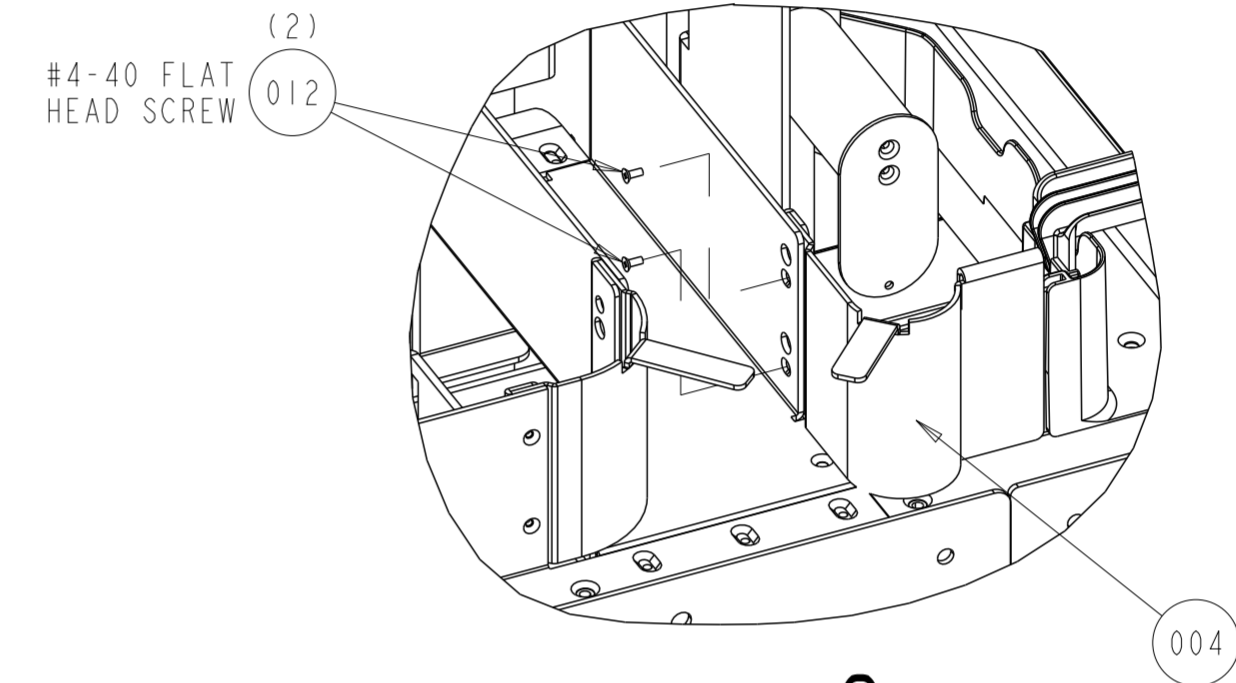
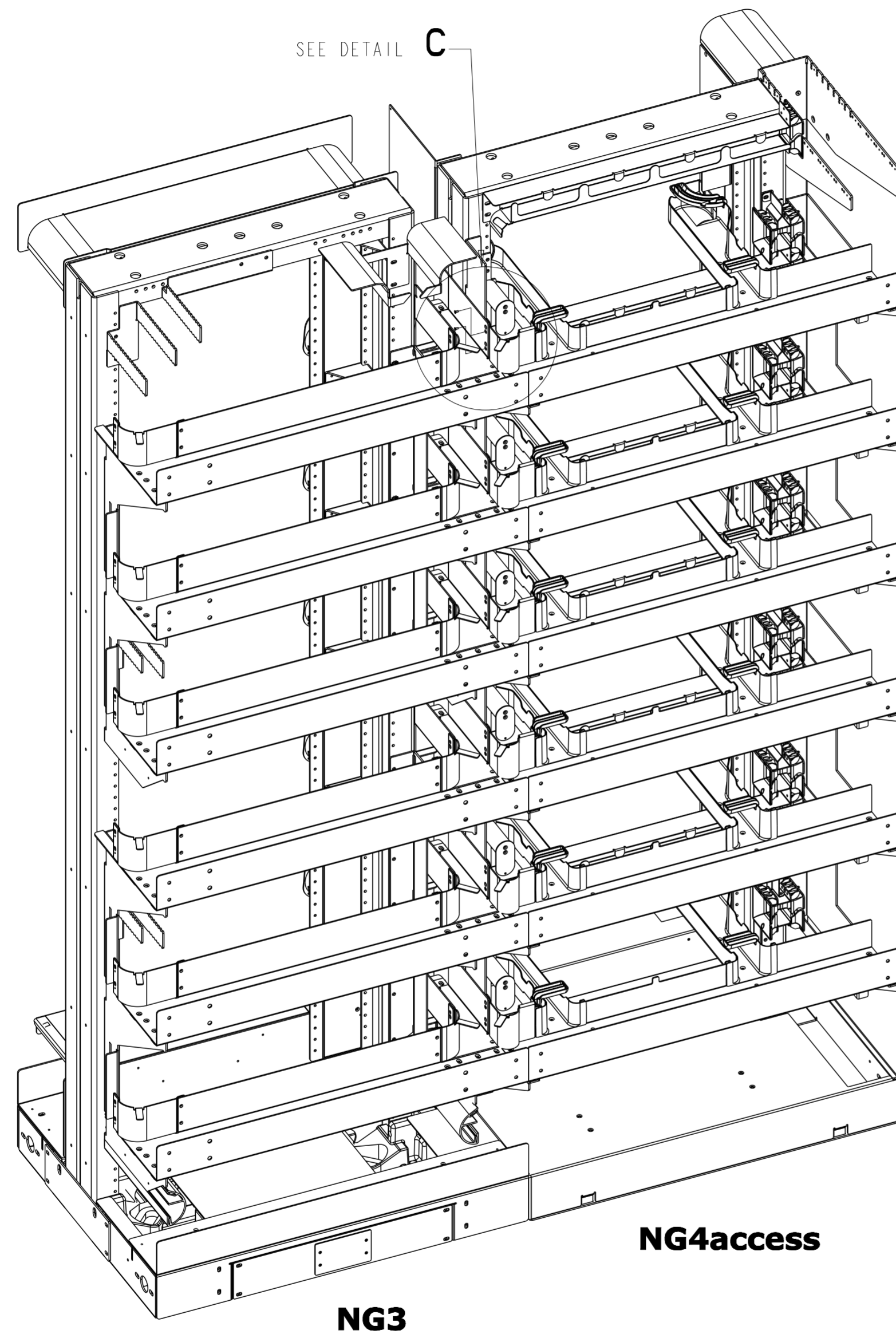
INSTALLATION INSTRUCTIONS:

1. REMOVE AND DISCARD THE EXISTING SCREWS BEFORE ATTACHING BRACKET.
2. SLIDE RIGHT SIDE BRACKET (ITEM 003) INTO PLACE AND ATTACH USING (ITEM 010) #12-24 X .5 PAN HEAD SCREWS QTY 4 AND EXTERNAL TOOTH WASHERS (ITEM 011) QTY 4 IN 2 PLACES AS SHOWN.

**COMMSCOPE, INC.**

DRAFTER MIGUEL ANGEL MUÑOZ		TITLE NG3 TO NG4access FRAME TRANSITION KIT	
ENGINEER JOSE ANGEL JARA	SIZE A2	SCALE 0.125	DOCUMENT NO. <b>300001761883</b>
CUSTOMER DRAWING			REVISION F
			SHEET 3 OF 5

**RIGHT SIDE**



DETAIL **C**  
6 PLACES  
SCALE 0.375

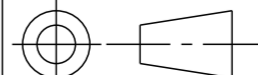
**NG4access**

**NG3**

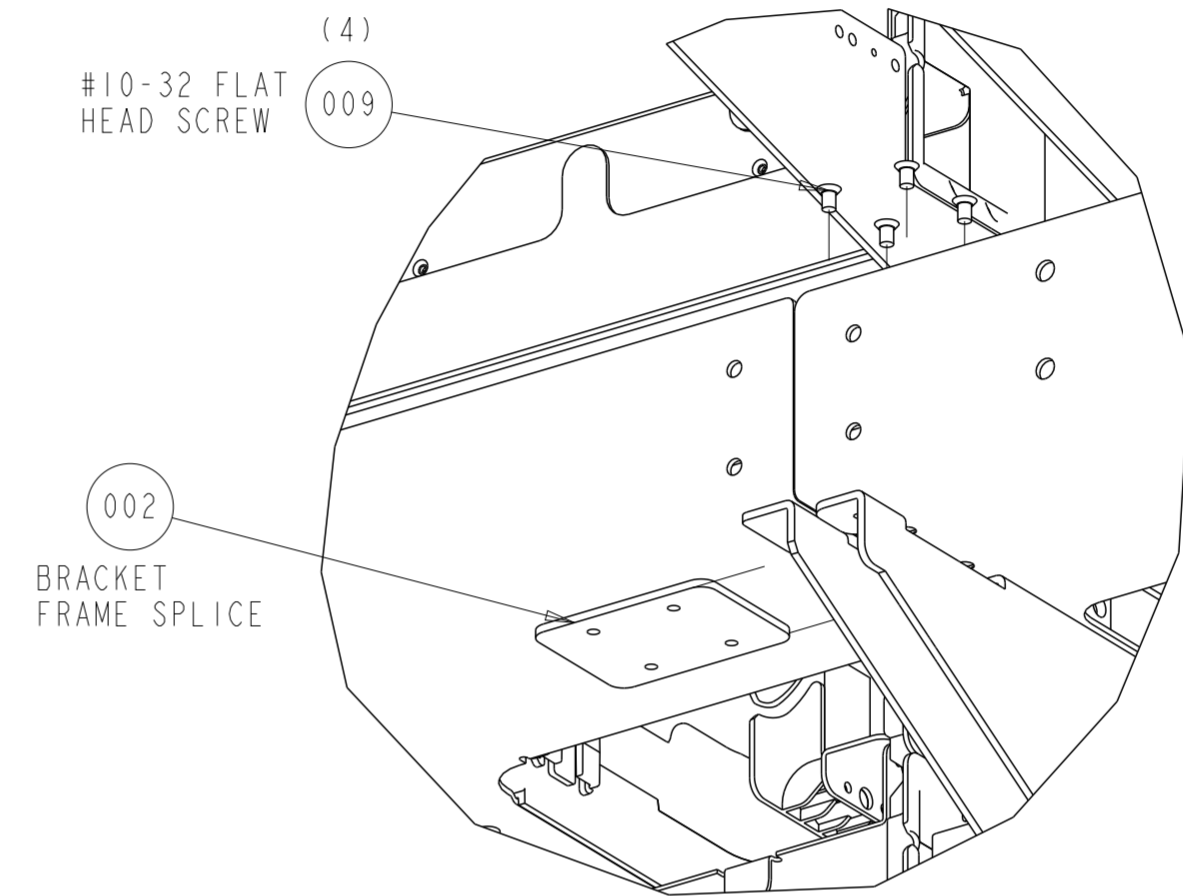
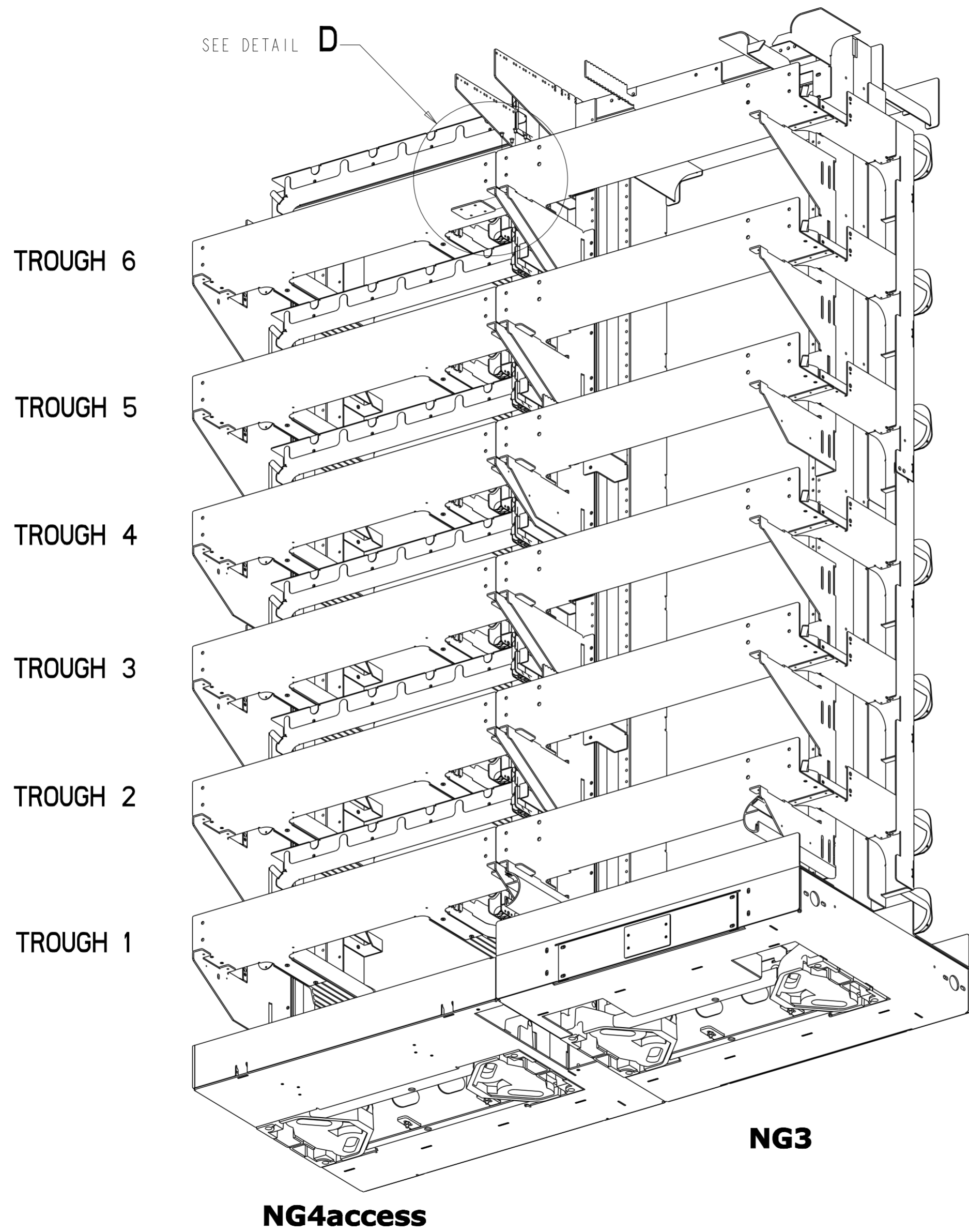
**REAR VIEW**

INSTALLATION INSTRUCTIONS:

1. SLIDE BEND RADIUS LIMITER (ITEM 004) INTO PLACE AND ATTACH USING #4-40 FLAT HEAD SCREWS (ITEM 012) QTY 2 IN 6 PLACES AS SHOWN.

<b>COMMSCOPE, INC.</b>			
DRAFTER MIGUEL ANGEL MUÑOZ		TITLE NG3 TO NG4access FRAME TRANSITION KIT	
ENGINEER JOSE ANGEL JARA		SIZE A2	SCALE 0.125
		DOCUMENT NO. <b>300001761883</b>	
		CUSTOMER DRAWING	
		REVISION F	SHEET 4 OF 5

# RIGHT AND LEFT SIDE



DETAIL D  
6 PLACES PER SIDE  
TYPICAL BOTH RIGHT AND LEFT SIDES  
SCALE 0.375

## REAR VIEW

### INSTALLATION INSTRUCTIONS:

1. ATTACH THE FRAME SPLICE BRACKET (ITEM 002) USING #10-32 FLAT HEAD SCREWS (ITEM 009) QTY 4 IN 6 PLACES PER SIDE AS SHOWN.

<b>COMMSCOPE, INC.</b>			
DRAFTER MIGUEL ANGEL MUÑOZ		TITLE NG3 TO NG4access FRAME TRANSITION KIT	
ENGINEER JOSE ANGEL JARA		SIZE A2	SCALE 0.125
		DOCUMENT NO. <b>300001761883</b>	
		CUSTOMER DRAWING	
		REVISION F	SHEET 5 OF 5