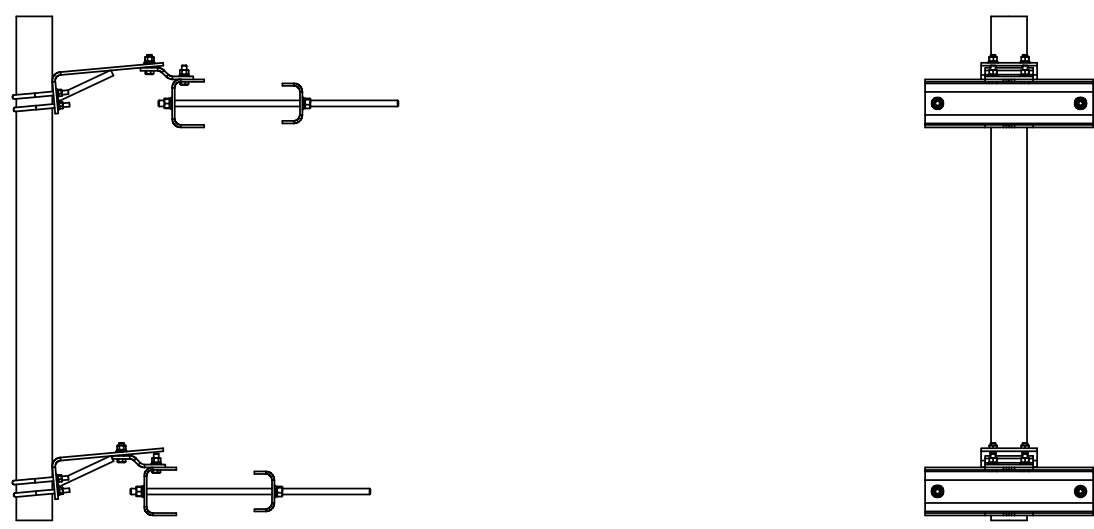
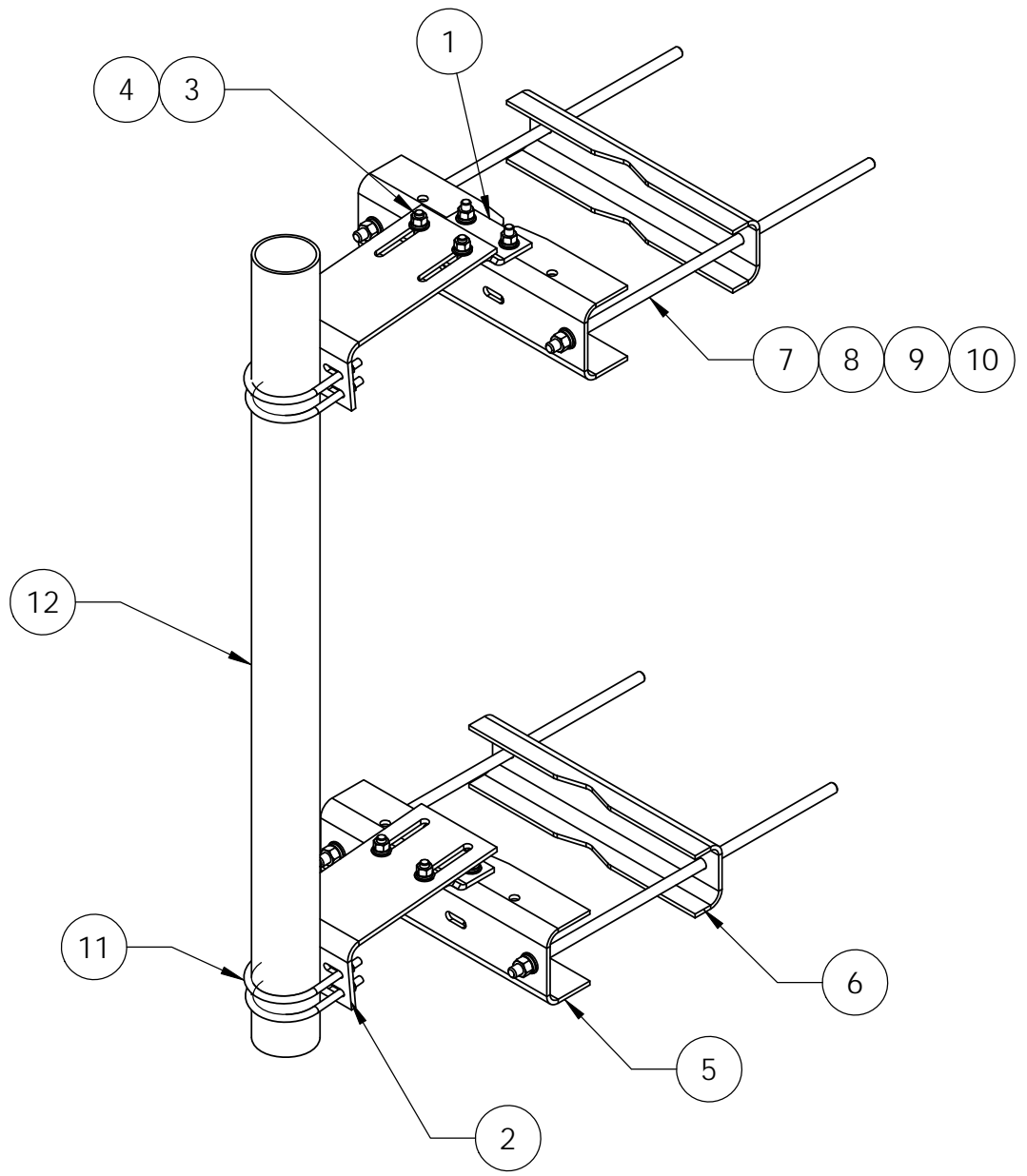


ITEM	PART NO.	DESCRIPTION	QTY.	WEIGHT
1	PMSL.01	S-BRACKET	2	4.26 LBS
2	PMSL05	14" L-Bracket	2	13.44 LBS
3	GB-0520A	5/8" X 2" GALV BOLT KIT (A325)	8	0.13 LBS
4	GWF-05	5/8" GALV FLAT WASHER	8	0.02 LBS
5	SMU201601	Large Saddle Mount, 16" Tower Leg	2	22.42 LBS
6	SMU201602	CLAMP PLATE	2	15.48 LBS
7	MT38430B7	3/4" X 30" GALV Threaded Rod, Grade B7	4	3.76 LBS
8	GWF-06	3/4" GALV FLAT WASHER	8	0.04 LBS
9	GWL-06	3/4" GALV LOCK WASHER	8	0.01 LBS
10	GN-06	3/4" GALV HEX NUT	8	0.02 LBS
11	GUB-XXX	1/2" GALV U-BOLT (SEE TABLE)	4	-
12	MT-xxx	Plain End Pipe (SEE TABLE)	1	-


REVISIONS				
REV.	ZONE	DESCRIPTION	BY	DATE
A		INITIAL RELEASE	MSM	07/23/10

PML-SUL SERIES TABLE

PART NUMBER	PLAIN END PIPE	PIPE DESCRIPTION	U-BOLT	TOTAL WEIGHT
PML-SU2L-B	N/A	N/A	GUB-4240	135.04 LBS
PML-SU2L-72	MT-651	PLAIN END PIPE 2-3/8"OD X 72"	GUB-4240	156.84 LBS
PML-SU2L-96	MT-651-96	PLAIN END PIPE 2-3/8"OD X 96"	GUB-4240	164.37 LBS
PML-SU4L-B	N/A	N/A	GUB-4456	135.54 LBS
PML-SU4L-63	MT-653-63	PLAIN END PIPE 4-1/2"OD X 63"	GUB-4456	191.89 LBS
PML-SU4L-84	MT-654-84	PLAIN END PIPE 4-1/2"OD X 84"	GUB-4456	210.67 LBS
PML-SU4L-96	MT-654-96	PLAIN END PIPE 4-1/2"OD X 96"	GUB-4456	222.17 LBS



- NOTES:
- ALL METRIC DIMENSIONS ARE IN BRACKETS.
 - FITS TOWER LEGS UP TO 16" ROUND OR 60° ANGLE, 12" 90° ANGLE.

<small>These drawings and specifications are the proprietary property of ANDREW CORPORATION and may be used only for the specific purpose authorized in writing by Andrew Corporation.</small> ALL DIMENSIONS ARE IN INCHES U.O.S. TOLERANCES UNLESS OTHERWISE SPECIFIED: .X = ± .12 ANGLES ±2° .XX = ± .06 FRACTIONS ±1/32 .XXX = ± .03 REMOVE BURRS AND BREAK EDGES .005 DO NOT SCALE THIS PRINT	DRAWN BY: MSM	SHEET: 1 of 1	PART NUMBER: PML-SUL SERIES
	CHECKED BY: TP	SCALE: NTS	DESCRIPTION: Universal Sliding Pipe Mount, 14" Long, Large Leg
	DATE: 07/13/10	MATERIAL: A36, A53	DRAWING TYPE: ASSEMBLY DRAWING
	REVISION: A	FINISH: GALV A123	 WESTCHESTER, IL. 60154 U.S.A.
	WEIGHT: SEE TABLE		