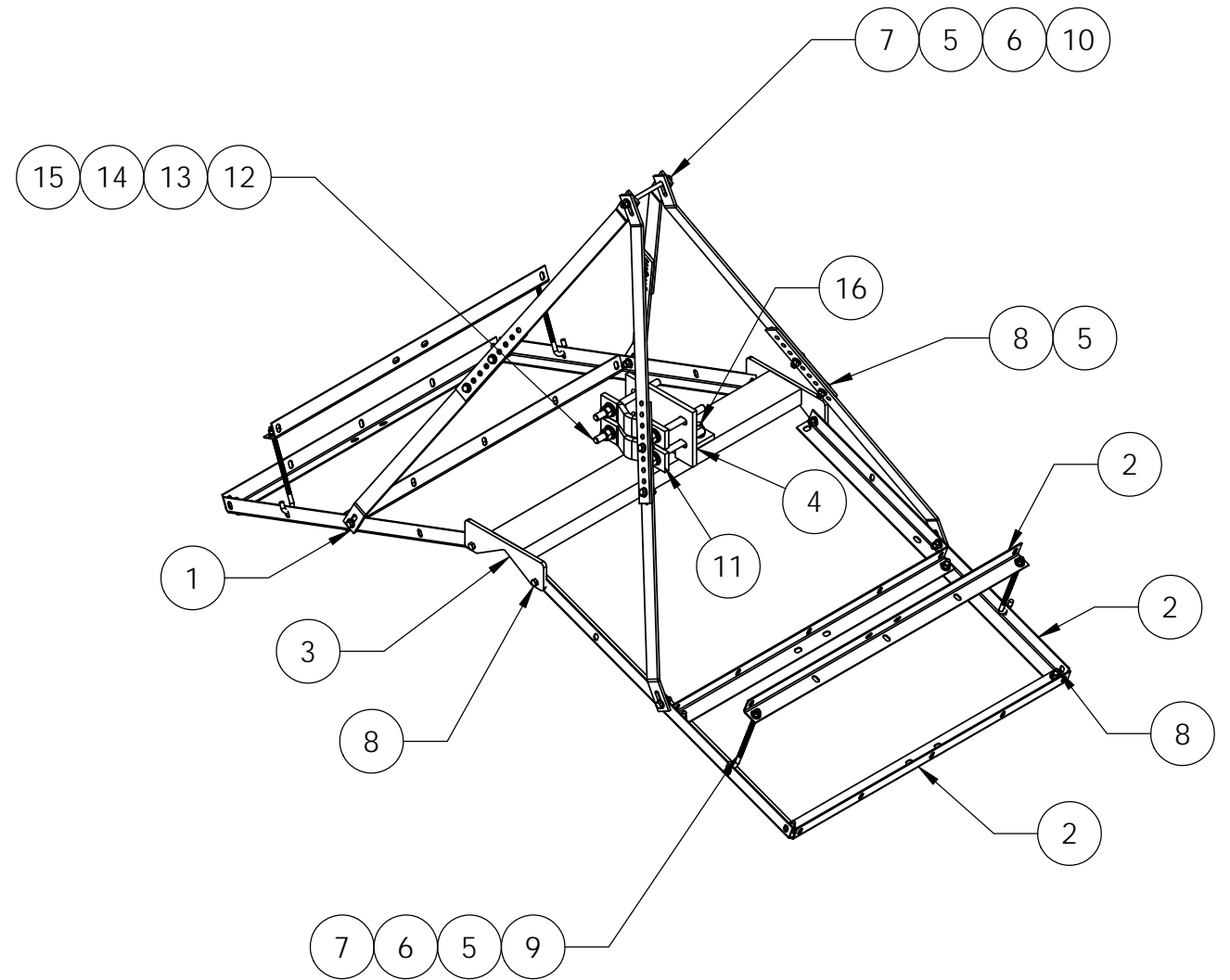
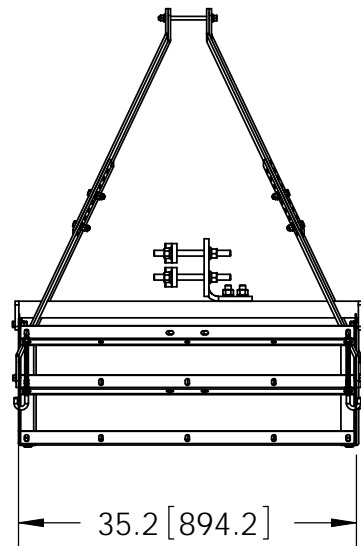
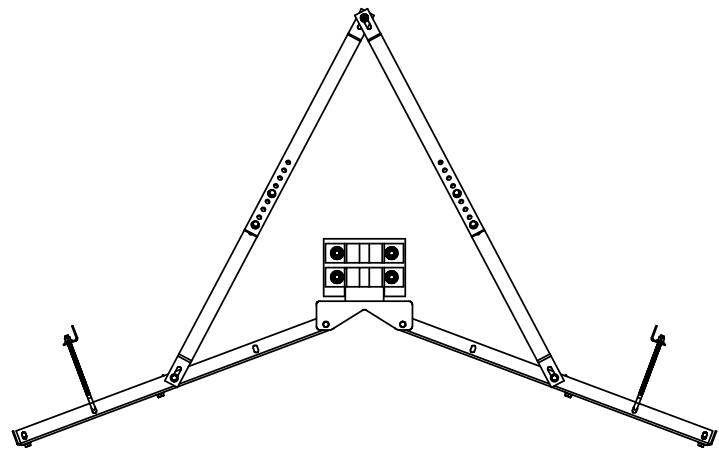
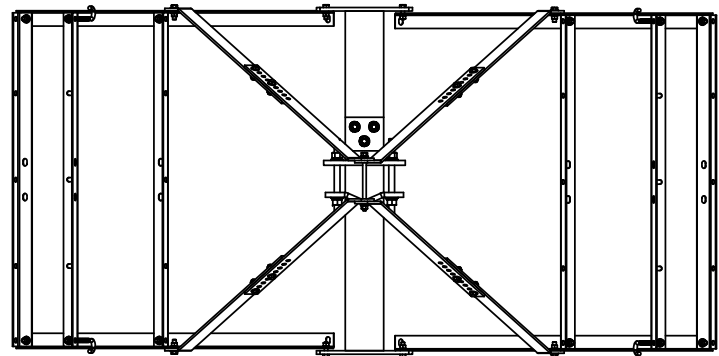


ITEM	PART NO.	DESCRIPTION	QTY.	WEIGHT
1	MTC9043RP02	PIPE BRACE	8	2.82 LBS
2	MTC9043RP04	ANGLE	10	3.00 LBS
3	MTC9043RP05	CENTER MOUNT	1	25.79 LBS
4	MTC9043RP12	Pipe Mount Plate	1	9.20 LBS
5	GWF-03	3/8" GALV FLAT WASHER	50	0.01 LBS
6	GWL-03	3/8" GALV LOCK WASHER	6	0.01 LBS
7	GN-03	3/8" GALV HEX NUT	6	0.04 LBS
8	GB-03125	3/8" X 1-1/4" GALV BOLT KIT	24	0.04 LBS
9	GJB0380	8" GALV J-BOLT KIT	4	0.25 LBS
10	MT3776	3/8" X 6" GALV THREADED ROD	1	0.19 LBS
11	DCP10	SMALL CLAMP HALF	2	2.21 LBS
12	MT-381-8	5/8" X 8" GALV THREADED ROD	4	0.64 LBS
13	GWF-05	5/8" GALV FLAT WASHER	8	0.03 LBS
14	GWL-05	5/8" GALV LOCK WASHER	8	0.01 LBS
15	GN-05	5/8" GALV HEX NUT	8	0.04 LBS
16	GB-05205	5/8" X 2" GALV BOLT KIT	3	0.04 LBS

REVISIONS				
REV.	ZONE	DESCRIPTION	BY	DATE
A		INITIAL RELEASE	MSM	02/10/10



NOTES:
1. ALL METRIC DIMENSIONS ARE IN BRACKETS.

<small>These drawings and specifications are the proprietary property of ANDREW CORPORATION and may be used only for the specific purpose authorized in writing by Andrew Corporation.</small> ALL DIMENSIONS ARE IN INCHES U.O.S. TOLERANCES UNLESS OTHERWISE SPECIFIED: .X = ± .12 ANGLES ±2° .XX = ± .06 FRACTIONS ±1/32 .XXX = ± .03 REMOVE BURRS AND BREAK EDGES .005 DO NOT SCALE THIS PRINT	DRAWN BY: MSM	SHEET: 1 of 1	PART NUMBER: RT-PM-B
	CHECKED BY: TP	SCALE: NTS	DESCRIPTION: Non-Penetrating Roof Peak Mount
	DATE: 02/10/10	MATERIAL: A36, A53, A568	DRAWING TYPE: ASSEMBLY DRAWING
	REVISION: A	FINISH: GALV A123	WEIGHT: 100.46 LBS