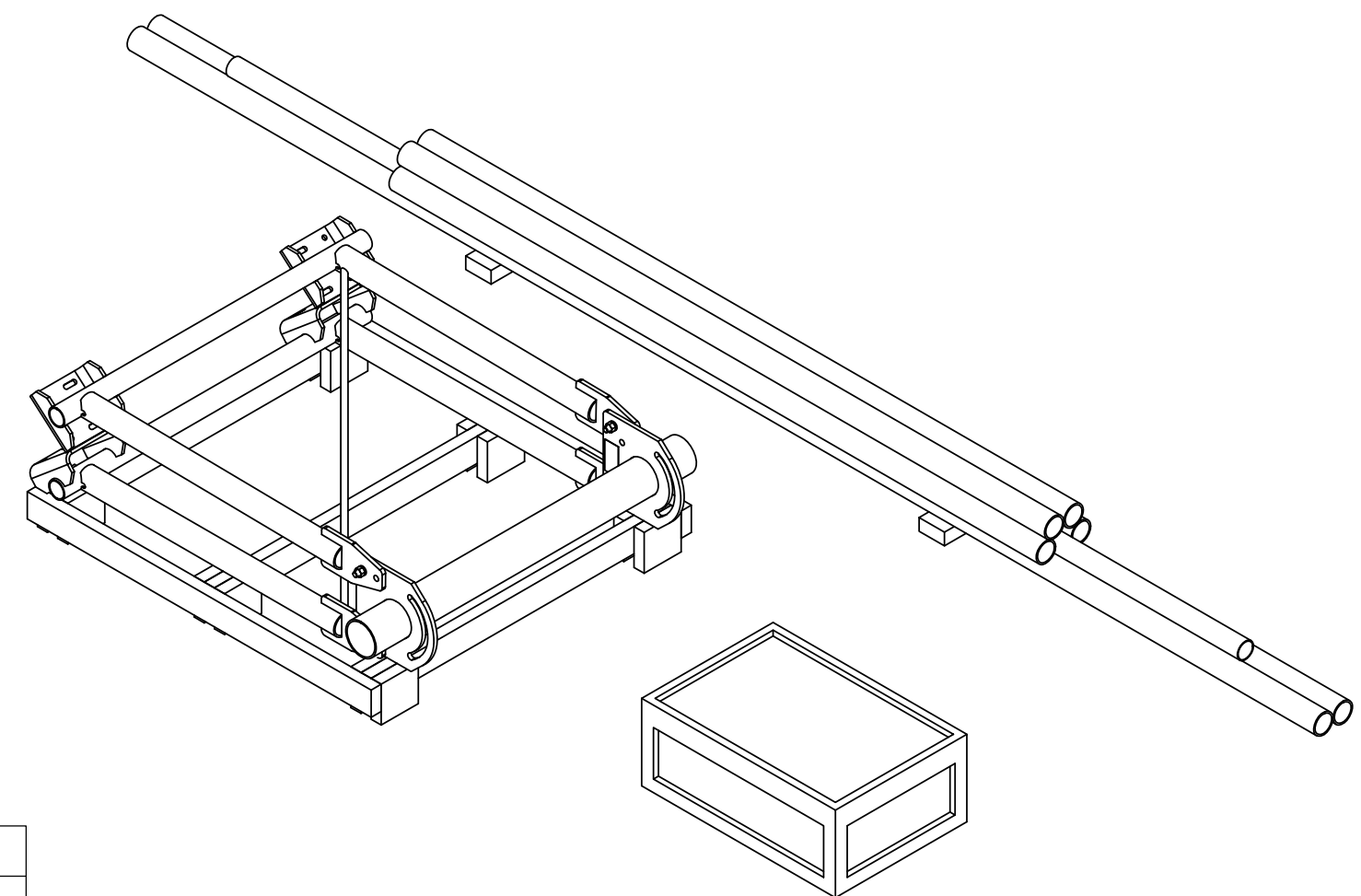


ITEM	PART NO.	DESCRIPTION	QTY.	WEIGHT	NOTE NO.
1	SFG23PK	SFG23 FRAME / HK	1	245.72 LBS	
2	PIPE BUNDLE	PIPE BUNDLE FOR SFG23HDX-14-4-96	1	-	
3	SFG23HDXHK	HARDWARE KIT FOR SFG23HDX SERIES	1	215.07 LBS	

REVISIONS				
REV.	ECN	DESCRIPTION	BY	DATE
A	8000021925	INITIAL RELEASE	DRR	04/07/17
B	8000024655	ADJUSTED WEIGHT OF SFG23PK AND ALL TOTALS	DRR	07/10/17



SFG23HDX SERIES TABLE

PART NO.	DESCRIPTION	PIPE BUNDLE	TOTAL WEIGHT
SFG23HDX-10-4-96	SECTOR FRAME 10'-8" FACE, (4) 96" ANTENNA PIPE	SFG23HDX10496SB	761 LBS
SFG23HDX-10-4-126	SECTOR FRAME 10'-8" FACE, (4) 126" ANTENNA PIPE	SFG23HDX104126SB	816 LBS
SFG23HDX-12-4-96	SECTOR FRAME 12'-8" FACE, (4) 96" ANTENNA PIPE	SFG23HDX12496SB	780 LBS
SFG23HDX-12-4-126	SECTOR FRAME 12'-8" FACE, (4) 126" ANTENNA PIPE	SFG23HDX124126SB	835 LBS
SFG23HDX-14-4-96	SECTOR FRAME 14'-8" FACE, (4) 96" ANTENNA PIPE	SFG23HDX14496SB	807 LBS
SFG23HDX-14-4-126	SECTOR FRAME 14'-8" FACE, (4) 126" ANTENNA PIPE	SFG23HDX144126SB	862 LBS
SFG23HDX-10-3-96	SECTOR FRAME 10'-8" FACE, (3) 96" ANTENNA PIPE	SFG23HDX10396SB	704 LBS
SFG23HDX-10-3-126	SECTOR FRAME 10'-8" FACE, (3) 126" ANTENNA PIPE	SFG23HDX103126SB	746 LBS
SFG23HDX-12-3-96	SECTOR FRAME 12'-8" FACE, (3) 96" ANTENNA PIPE	SFG23HDX12396SB	724 LBS
SFG23HDX-12-3-126	SECTOR FRAME 12'-8" FACE, (3) 126" ANTENNA PIPE	SFG23HDX123126SB	765 LBS
SFG23HDX-14-3-96	SECTOR FRAME 14'-8" FACE, (3) 96" ANTENNA PIPE	SFG23HDX14396SB	750 LBS
SFG23HDX-14-3-126	SECTOR FRAME 14'-8" FACE, (3) 126" ANTENNA PIPE	SFG23HDX143126SB	792 LBS
SFG23HDX-10-B	SECTOR FRAME 10'-8" FACE, NO ANTENNA PIPE	SFG23HD10SB	577 LBS
SFG23HDX-12-B	SECTOR FRAME 12'-8" FACE, NO ANTENNA PIPE	SFG23HD12SB	596 LBS
SFG23HDX-14-B	SECTOR FRAME 14'-8" FACE, NO ANTENNA PIPE	SFG23HD14SB	623 LBS

NOTES:

- CUSTOMER ASSEMBLY SHEETS, 2-8.
- FITS TOWERS LEGS UP TO 8" OD, 8" ANGLE 60°, AND 6" ANGLE 90°.
- SEE SFG23HDX TABLE(SHEET 1) FOR CORRECT PIPE BUNDLE.

PATENT PENDING

These drawings and specifications are the proprietary property of CommScope Inc. and may be used only for the specific purpose authorized in writing by CommScope Inc. ALL DIMENSIONS ARE IN INCHES U.O.S. TOLERANCES UNLESS OTHERWISE SPECIFIED: .X = ± .12 ANGLES ±2° .XX = ± .06 FRACTIONS ±1/32 .XXX = ± .03 REMOVE BURRS AND BREAK EDGES .005 DO NOT SCALE THIS PRINT	DRAWN BY: DRR	SHEET: 1 of 8	PART NUMBER: SFG23HDX SERIES
	CHECKED BY: TP	SCALE: NTS	DESCRIPTION: SECTOR FRAME, SFG23HDX SERIES
	DATE: 04/07/17	MATERIAL: SEE TABLE	DRAWING TYPE: ASSEMBLY DRAWING
	REVISION: B	FINISH: GALV A123 WEIGHT: N/A	 Hickory, NC 28602 U.S.A.

ITEM	PART NO.	DESCRIPTION	QTY.	WEIGHT	NOTE NO.
1	SFG2302	ARM MOUNT WELDMENT	1	59.80 LBS	
2	SFG2303	TOP TAPER BRACKET	1	22.61 LBS	
3	SFG2304	LOWER TAPER BRACKET	1	19.17 LBS	
4	SFG2305	TOWER SADDLE FRONT CLAMP	2	22.85 LBS	
5	SFG2306	BACK TOWER CLAMP WELDMENT	2	12.70 LBS	
6	SFG2367L	SECTOR FRAME ARM LEFT WELDMENT	1	81.38 LBS	
7	SFG2367R	SECTOR FRAME ARM RIGHT WELDMENT	1	81.38 LBS	
8	SAB01	FORMED CLAMP	2	1.35 LBS	
9	SABU01	Tie Back Mounting Angle	2	4.05 LBS	
10	XAU01	Angle BRK	8	3.59 LBS	
11	XA2020.01	CROSS OVER ANGLE	1	2.65 LBS	
12	OS15034	3/4" X 1-1/2" OFFSET COLLAR	1	0.14 LBS	
13	MT38420	3/4" X 20" GALV THREADED ROD	4	2.49 LBS	
14	GWF-06	3/4" GALV FLAT WASHER	10	0.10 LBS	
15	GWL-06	3/4" GALV LOCK WASHER	8	0.04 LBS	
16	GN-06	3/4" GALV HEX NUT	12	0.15 LBS	
17	GUB-4352	1/2" X 3" X 5-1/4" GALV U-BOLT	8	0.71 LBS	
18	GB-04125	1/2" X 1-1/4" GALV BOLT KIT	1	0.12 LBS	
19	GB-04265	1/2" X 2-3/4" GALV BOLT KIT	1	0.20 LBS	
20	GUB-5456	5/8" X 4-5/8" X 6 1/2" GALV U-BOLT	2	1.42 LBS	
21	GB-0520A	5/8" X 2" GALV BOLT KIT (A325)	4	0.26 LBS	
22	GB-0624A	3/4" X 2-1/2" GALV BOLT KIT (A325)	2	0.47 LBS	
23	GB-05225	5/8" X 2-1/4" GALV BOLT KIT	8	0.28 LBS	
24	GUB-4340	1/2" X 3" X 4" GALV U-BOLT	16	0.57 LBS	
25	MT-379-8	1/2" X 8" GALV THREADED ROD	2	0.44 LBS	
26	GWF04A	1/2" GALV FLAT WASHER (A325)	16	0.02 LBS	
27	GWL-04	1/2" GALV LOCK WASHER	16	0.01 LBS	
28	GN-04A	1/2" GALV HEX NUT (A194 2H)	16	0.07 LBS	
29	ACP10	1.5" - 3.5" O.D. CLAMP HALF	3	0.61 LBS	
30	MT-379-6	1/2" X 6" GALV THREADED ROD	6	0.33 LBS	
31	MT-651-150	PIPE, 2-3/8"OD X 150" GALV	1	36.01 LBS	
32	SFG23xxxHD	PIPE 2-7/8" OD X SCH 40	2	-	1
33	MT54696	Ø 2.875" O.D. X 96 PIPE	4	45.96 LBS	

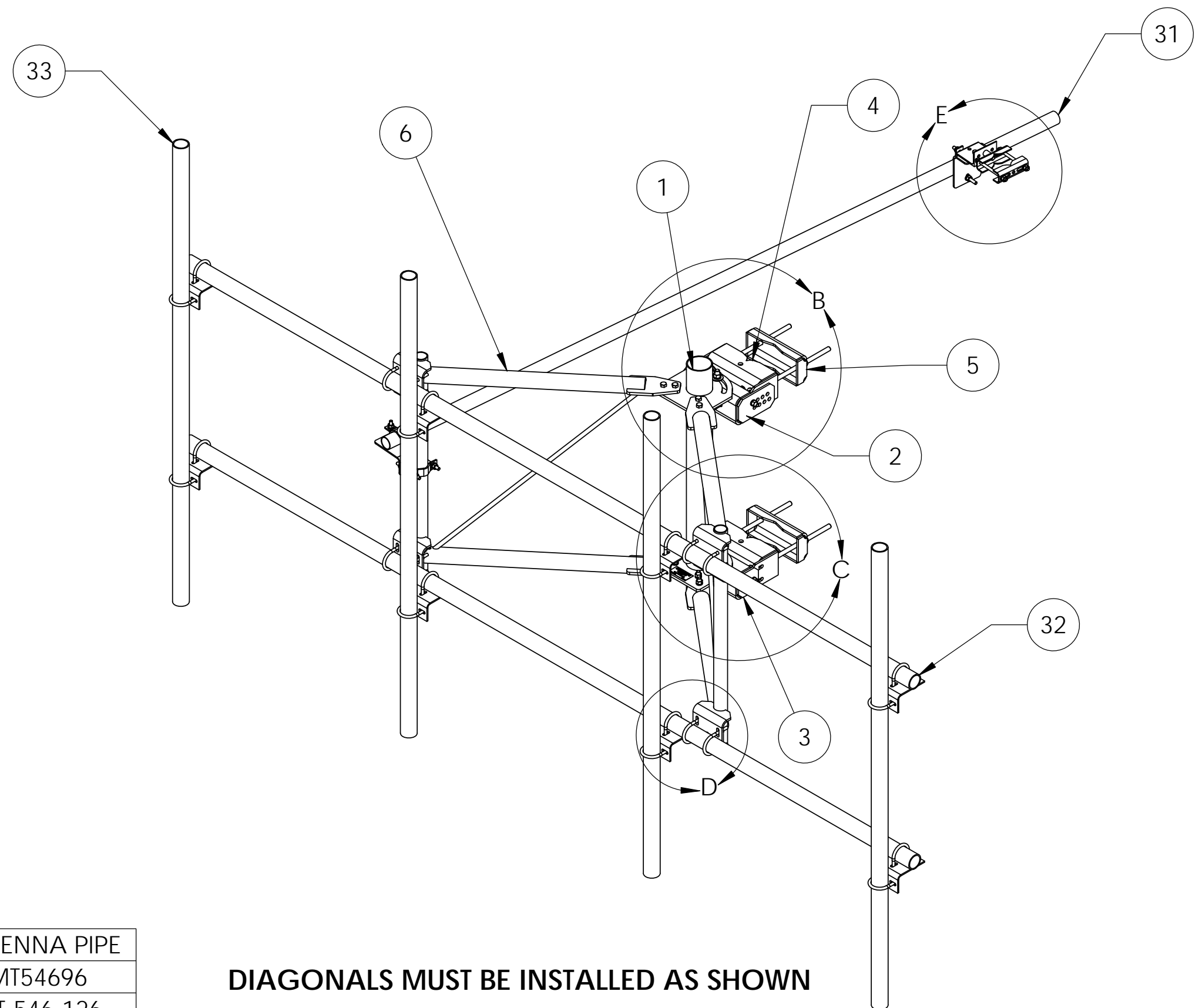
SFG23HDX SERIES PIPE CHART

PART NO.	DESCRIPTION	FACE PIPE	ANTENNA PIPE
SFG23HDX-10-x-96	SECTOR FRAME 10'-8" FACE, 96" ANTENNA PIPE	SFG23126HD	MT54696
SFG23HDX-10-x-126	SECTOR FRAME 10'-8" FACE, 126" ANTENNA PIPE	SFG23126HD	MT-546-126
SFG23HDX-12-x-96	SECTOR FRAME 12'-8" FACE, 96" ANTENNA PIPE	SFG23150HD	MT54696
SFG23HDX-12-x-126	SECTOR FRAME 12'-8" FACE, 126" ANTENNA PIPE	SFG23150HD	MT-546-126
SFG23HDX-14-x-96	SECTOR FRAME 14'-8" FACE, 96" ANTENNA PIPE	SFG23174HD	MT54696
SFG23HDX-14-x-126	SECTOR FRAME 14'-8" FACE, 126" ANTENNA PIPE	SFG23174HD	MT-546-126

NOTES:

- SEE PIPE CHART.
- x IN PART NO. OF SFG23HDX SERIES PIPE CHART EQUALS NUMBER OF ANTENNA PIPE PER MOUNT.

SFG23HDX-12-4-96 SHOWN



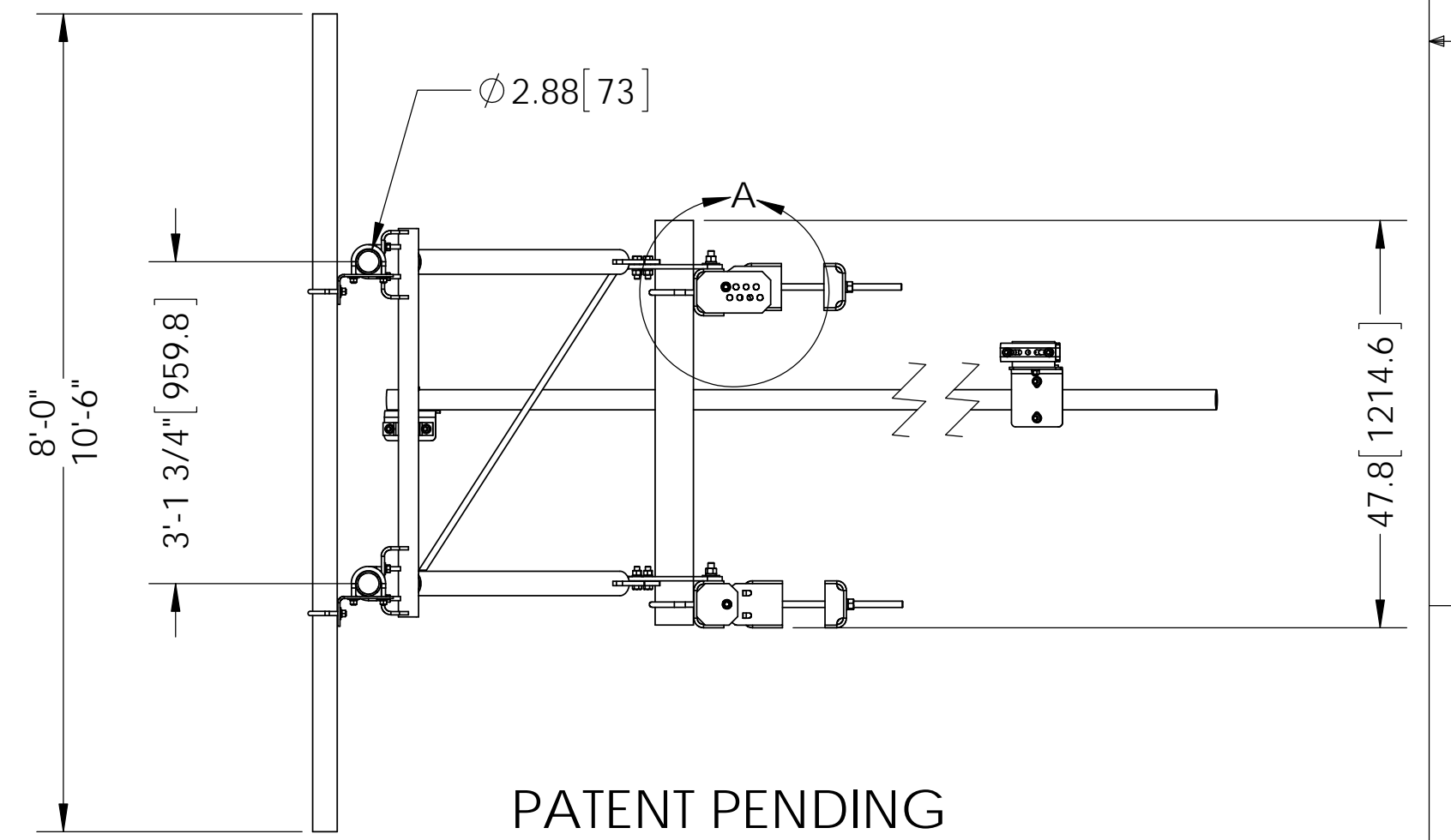
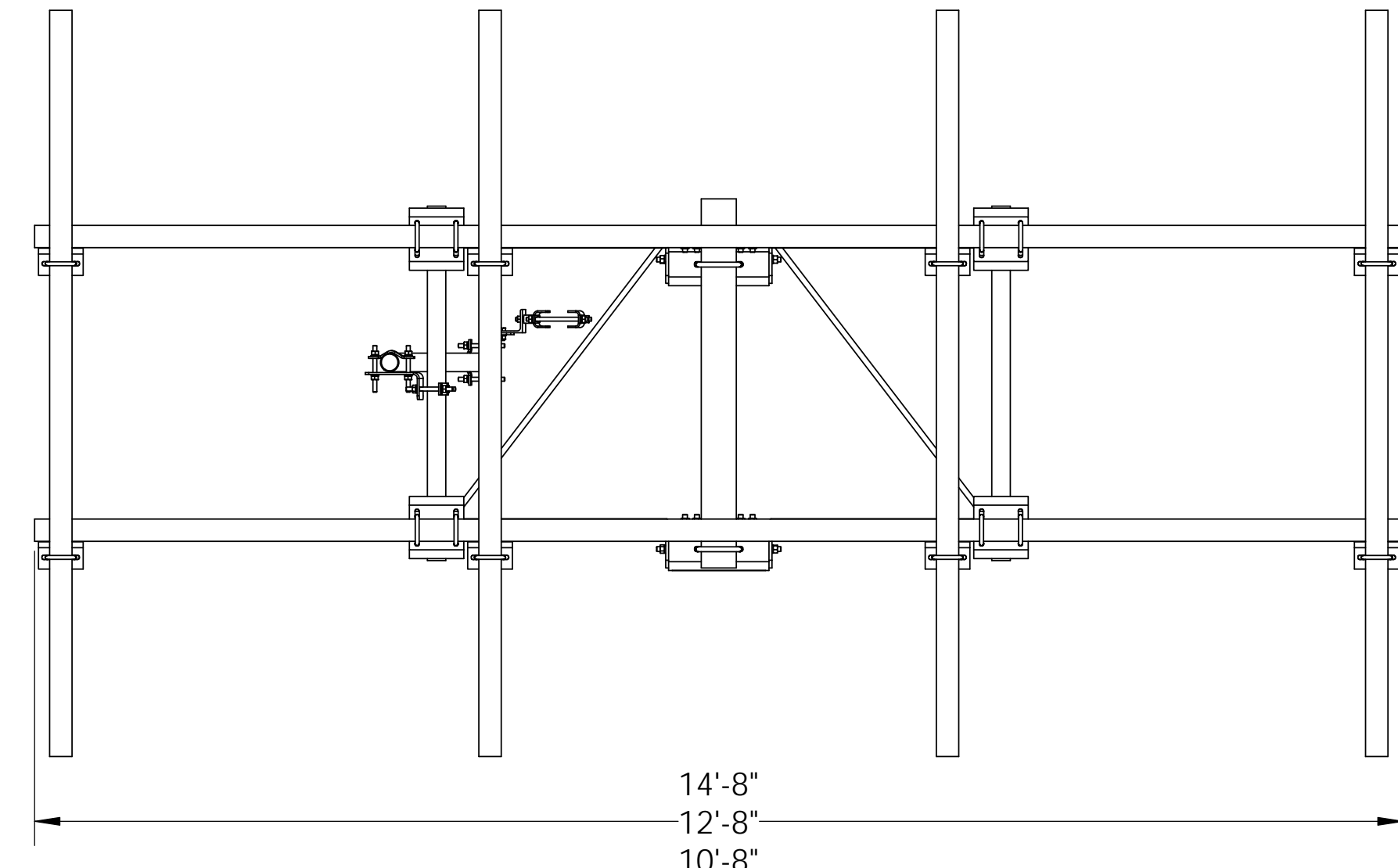
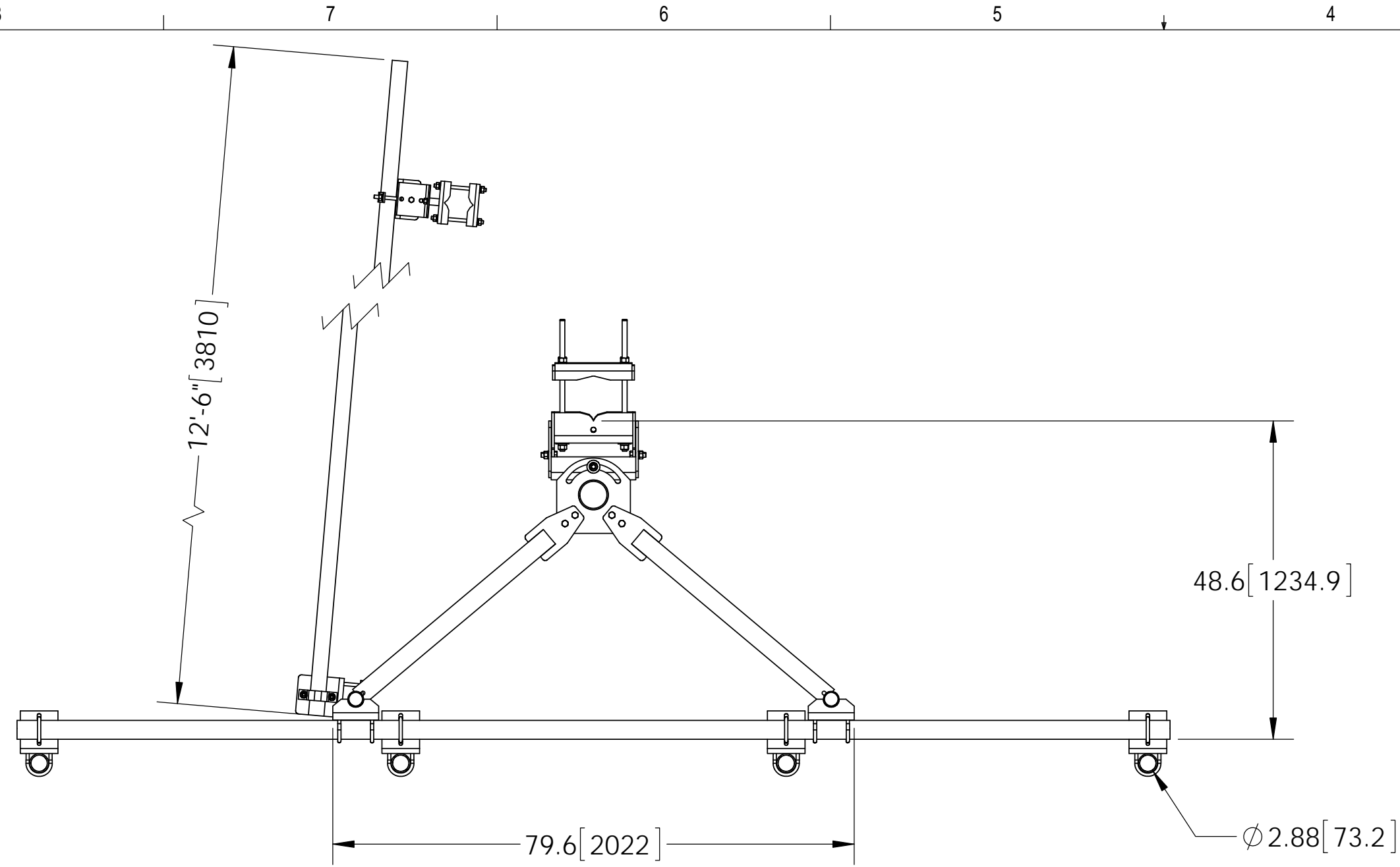
DIAGONALS MUST BE INSTALLED AS SHOWN

PATENT PENDING

<small>These drawings and specifications are the proprietary property of CommScope Inc. and may be used only for the specific purpose authorized in writing by CommScope Inc.</small> <small>ALL DIMENSIONS ARE IN INCHES U.O.S. TOLERANCES UNLESS OTHERWISE SPECIFIED:</small> .X = ± .12 ANGLES ±2° .XX = ± .06 FRACTIONS ±1/32 .XXX = ± .03 <small>REMOVE BURRS AND BREAK EDGES .005</small> DO NOT SCALE THIS PRINT	DRAWN BY: DRR CHECKED BY: TP DATE: 04/07/17 REVISION: B	SHEET: 2 of 8 SCALE: NTS MATERIAL: A-36, A-500 FINISH: GALV A123 WEIGHT: N/A	PART NUMBER: SFG23HDX SERIES DESCRIPTION: SEE TABLE DRAWING TYPE: ASSEMBLY DRAWING COMMSCOPE® Hickory, NC 28602 U.S.A.
---	--	--	---

**SFG23HDX-12-4-96
SHOWN**

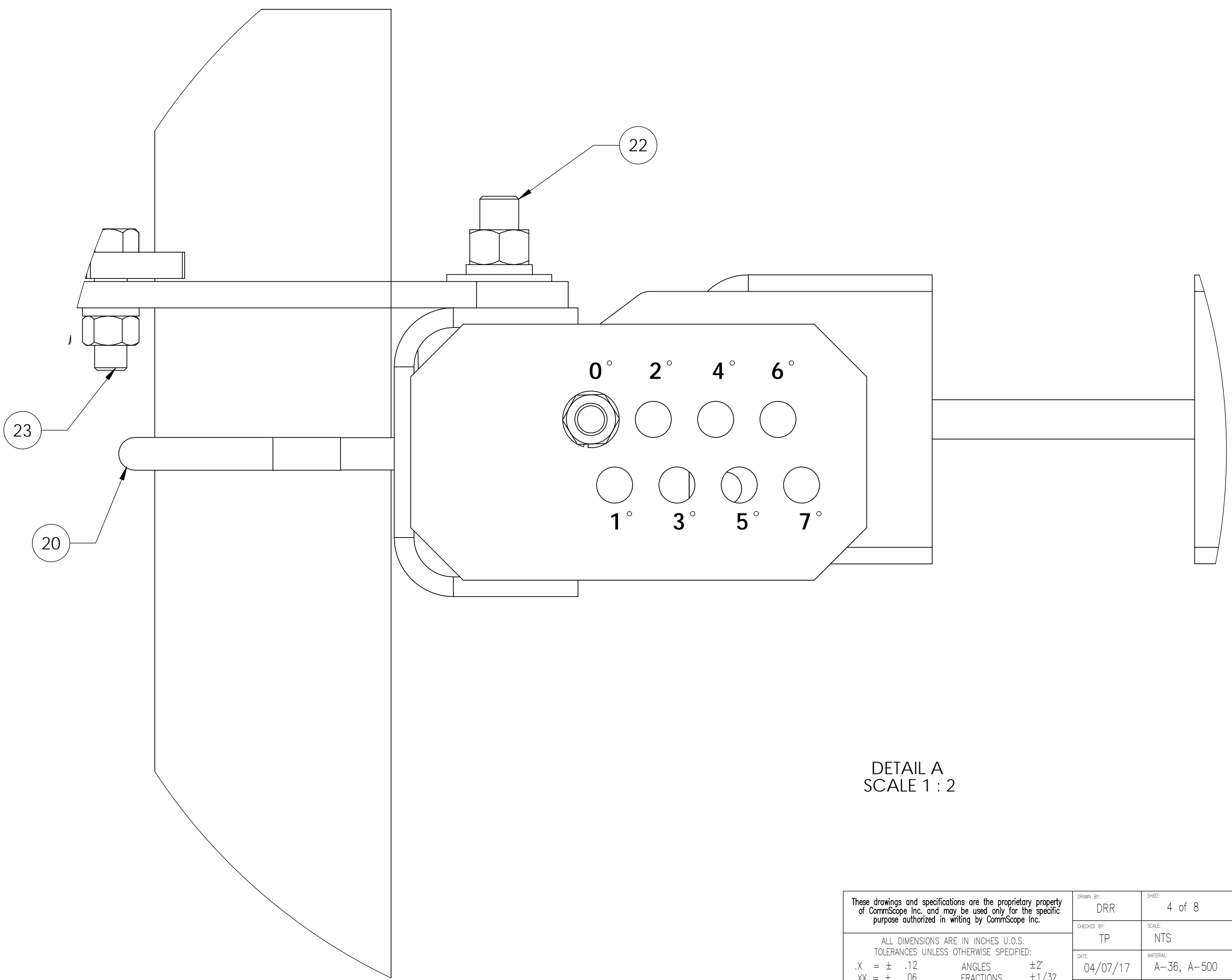
DIAGONALS MUST BE INSTALLED AS SHOWN



PATENT PENDING


<p>These drawings and specifications are the proprietary property of CommScope Inc. and may be used only for the specific purpose authorized in writing by CommScope Inc.</p> <p>ALL DIMENSIONS ARE IN INCHES U.O.S. TOLERANCES UNLESS OTHERWISE SPECIFIED: .X = ± .12 ANGLES ±2° .XX = ± .06 FRACTIONS ±1/32 .XXX = ± .03</p> <p>REMOVE BURRS AND BREAK EDGES .005</p> <p>DO NOT SCALE THIS PRINT</p>	<p>DRAWN BY: DRR</p>	<p>SHEET: 3 of 8</p>	<p>PART NUMBER: SFG23HDX SERIES</p>
	<p>CHECKED BY: TP</p>	<p>SCALE: NTS</p>	<p>DESCRIPTION: SEE TABLE</p>
	<p>DATE: 04/07/17</p>	<p>MATERIAL: A-36, A-500</p>	<p>DRAWING TYPE: ASSEMBLY DRAWING</p>
	<p>REVISION: B</p>	<p>FINISH: GALV A123</p>	<p>WEIGHT: N/A</p>

TAPER GUIDE

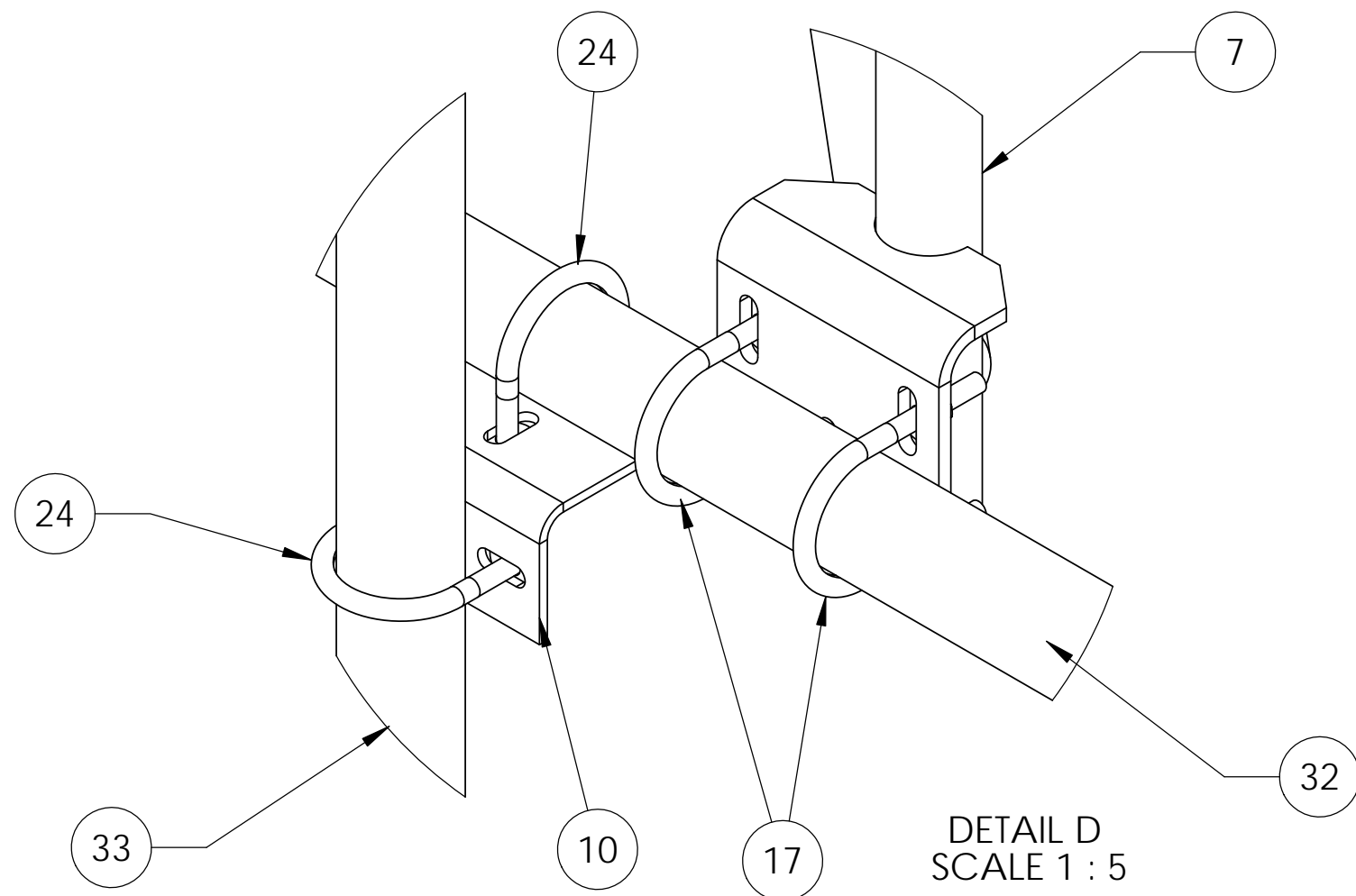
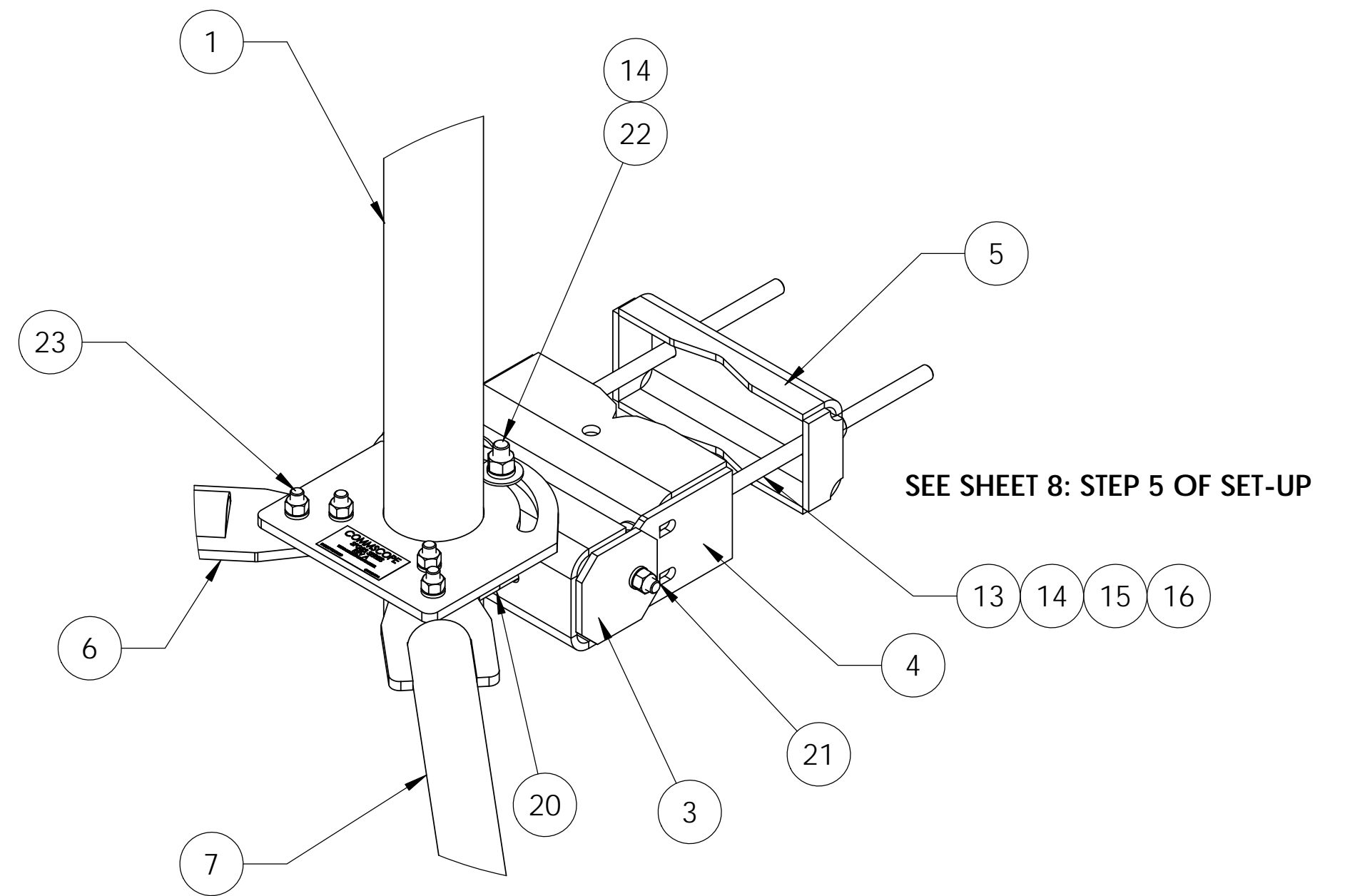
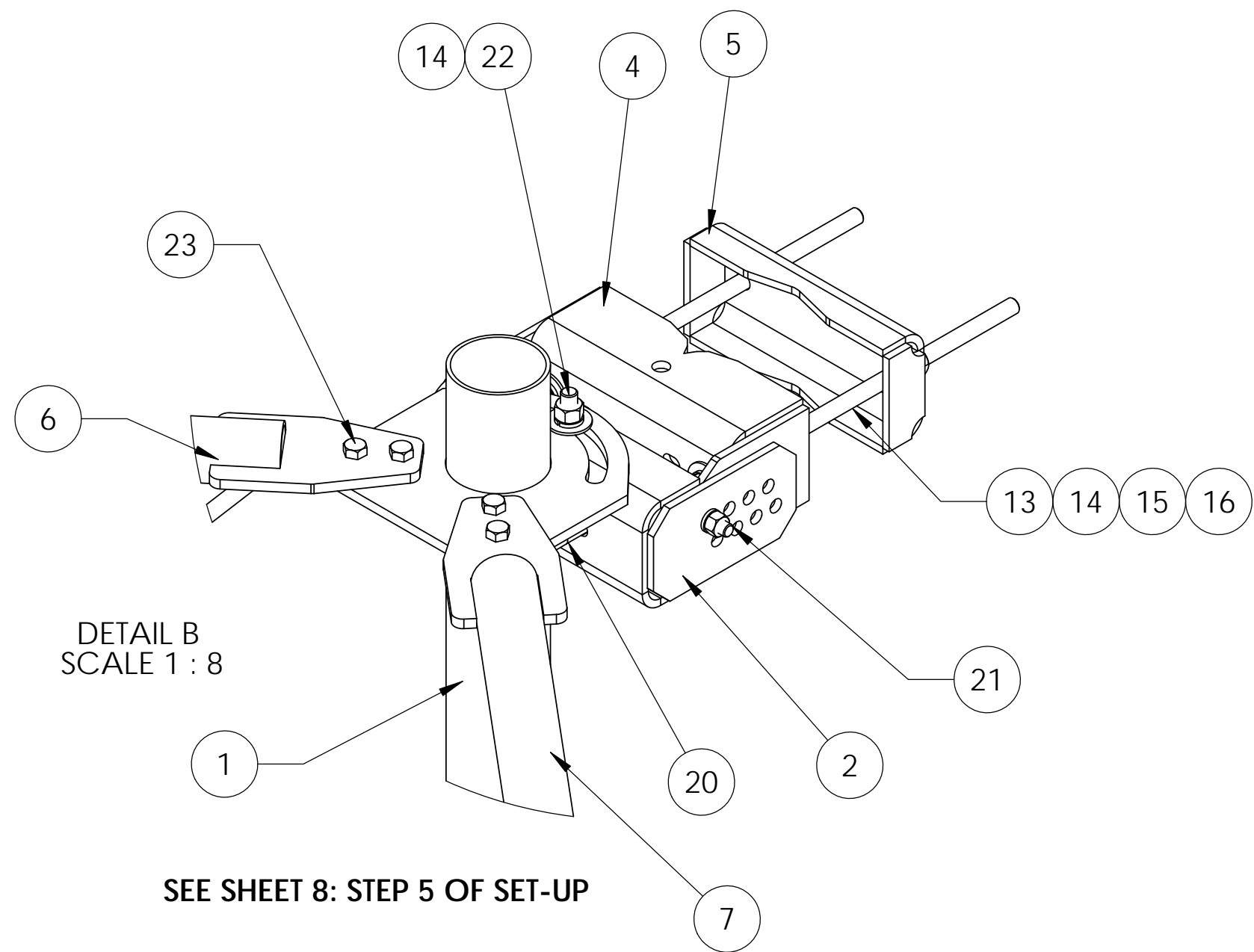


DETAIL A
SCALE 1 : 2

PATENT PENDING


<p>These drawings and specifications are the proprietary property of CommScope Inc. and may be used only for the specific purpose authorized in writing by CommScope Inc.</p> <p>ALL DIMENSIONS ARE IN INCHES U.O.S. TOLERANCES UNLESS OTHERWISE SPECIFIED: .X = ± .12 ANGLES ±2° .XX = ± .06 FRACTIONS ±1/32 .XXX = ± .03</p> <p>REMOVE BURRS AND BREAK EDGES .005</p> <p>DO NOT SCALE THIS PRINT</p>	DRAWN BY: DRR	SHEET: 4 of 8	PART NUMBER: SFG23HDX SERIES
	CHECKED BY: TP	SCALE: NTS	DESCRIPTION: SEE TABLE
	DATE: 04/07/17	MATERIAL: A-36, A-500	DRAWING TYPE: ASSEMBLY DRAWING
	REVISION: B	FINISH: GALV A123 WEIGHT: N/A	 Hickory, NC 28602 U.S.A.

8 7 6 5 4 3 2 1



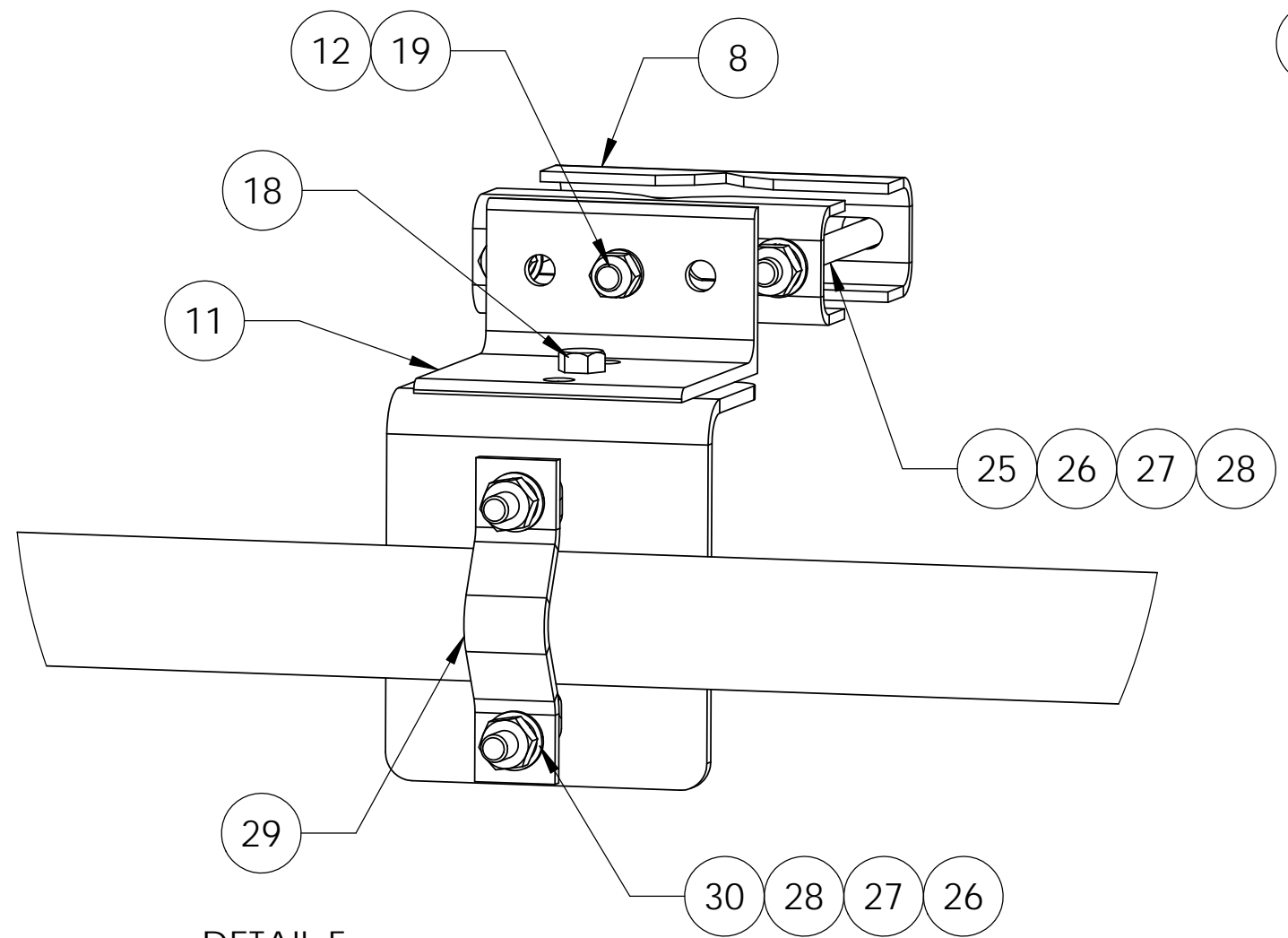
DIAGONALS MUST BE INSTALLED AS SHOWN

PATENT PENDING

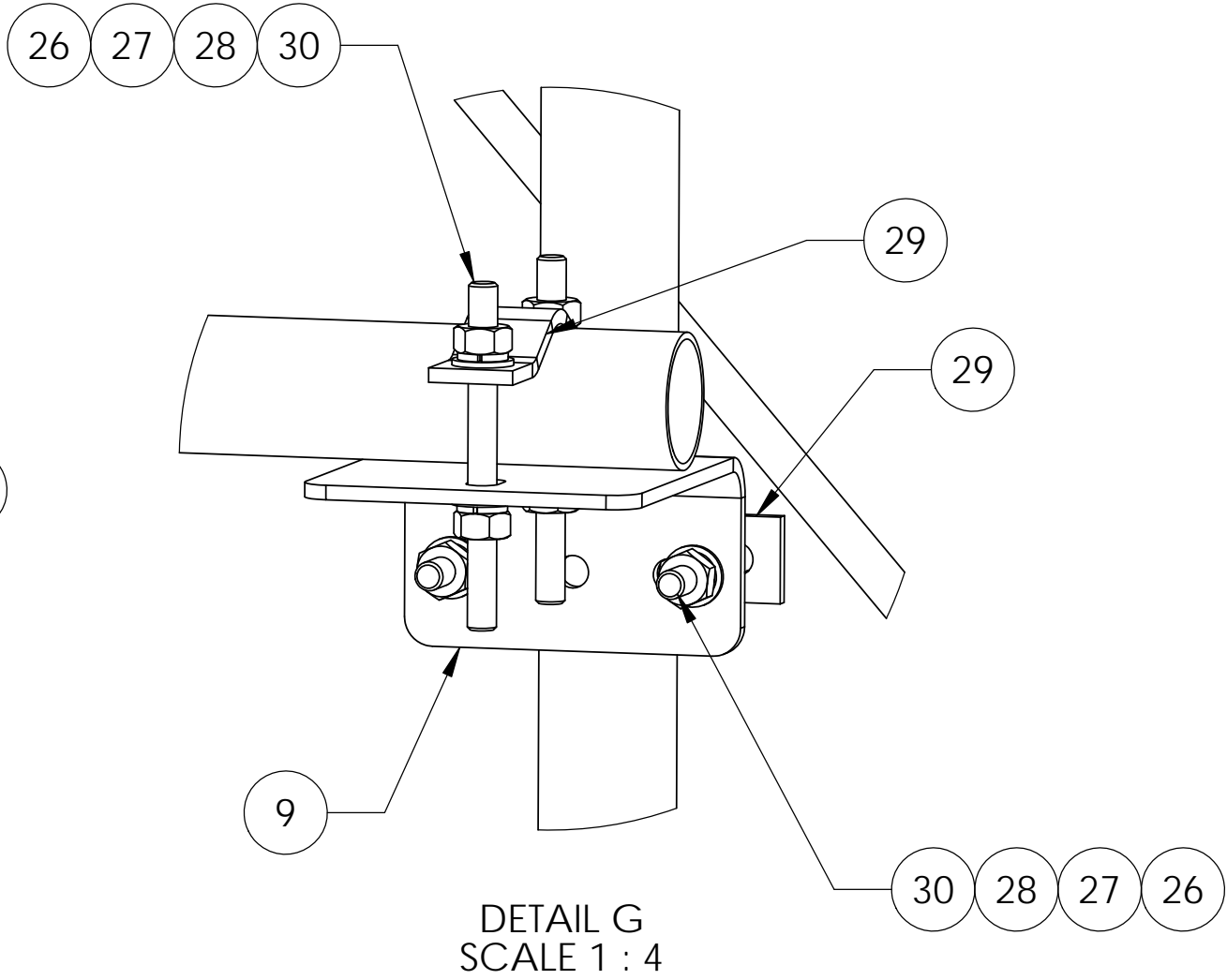
<small>These drawings and specifications are the proprietary property of CommScope Inc. and may be used only for the specific purpose authorized in writing by CommScope Inc.</small> <small>ALL DIMENSIONS ARE IN INCHES U.O.S. TOLERANCES UNLESS OTHERWISE SPECIFIED:</small> .X = ± .12 ANGLES ±2° .XX = ± .06 FRACTIONS ±1/32 .XXX = ± .03 <small>REMOVE BURRS AND BREAK EDGES .005</small> <small>DO NOT SCALE THIS PRINT</small>	<small>DRAWN BY:</small> DRR	<small>SHEET:</small> 5 of 8	<small>PART NUMBER:</small> SFG23HDX SERIES
	<small>CHECKED BY:</small> TP	<small>SCALE:</small> NTS	<small>DESCRIPTION:</small> SEE TABLE
	<small>DATE:</small> 04/07/17	<small>MATERIAL:</small> A-36, A-500	<small>DRAWING TYPE:</small> ASSEMBLY DRAWING
	<small>REVISION:</small> B	<small>FINISH:</small> GALV A123 <small>WEIGHT:</small> N/A	 Hickory, NC 28602 U.S.A.

8 7 6 5 4 3 2 1

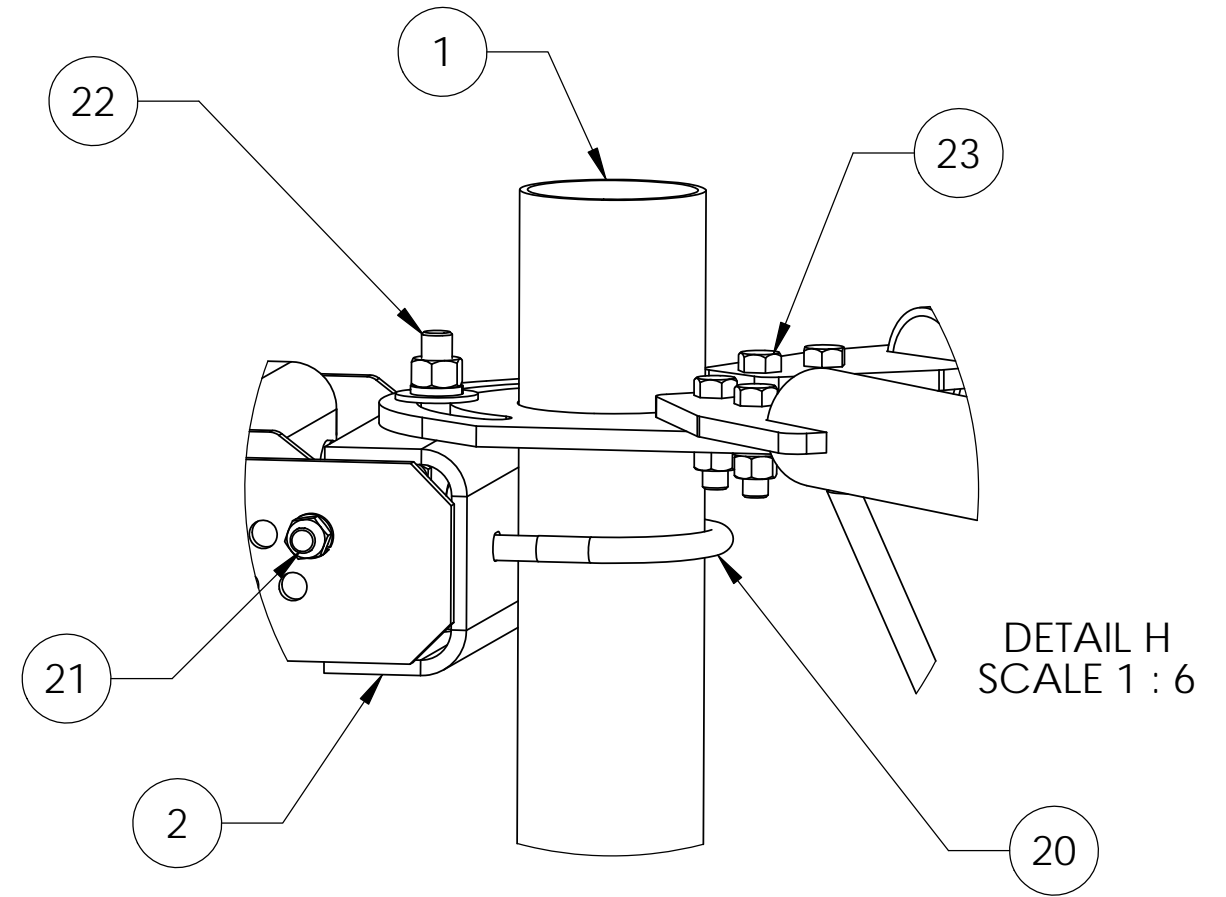
8 7 6 5 4 3 2 1



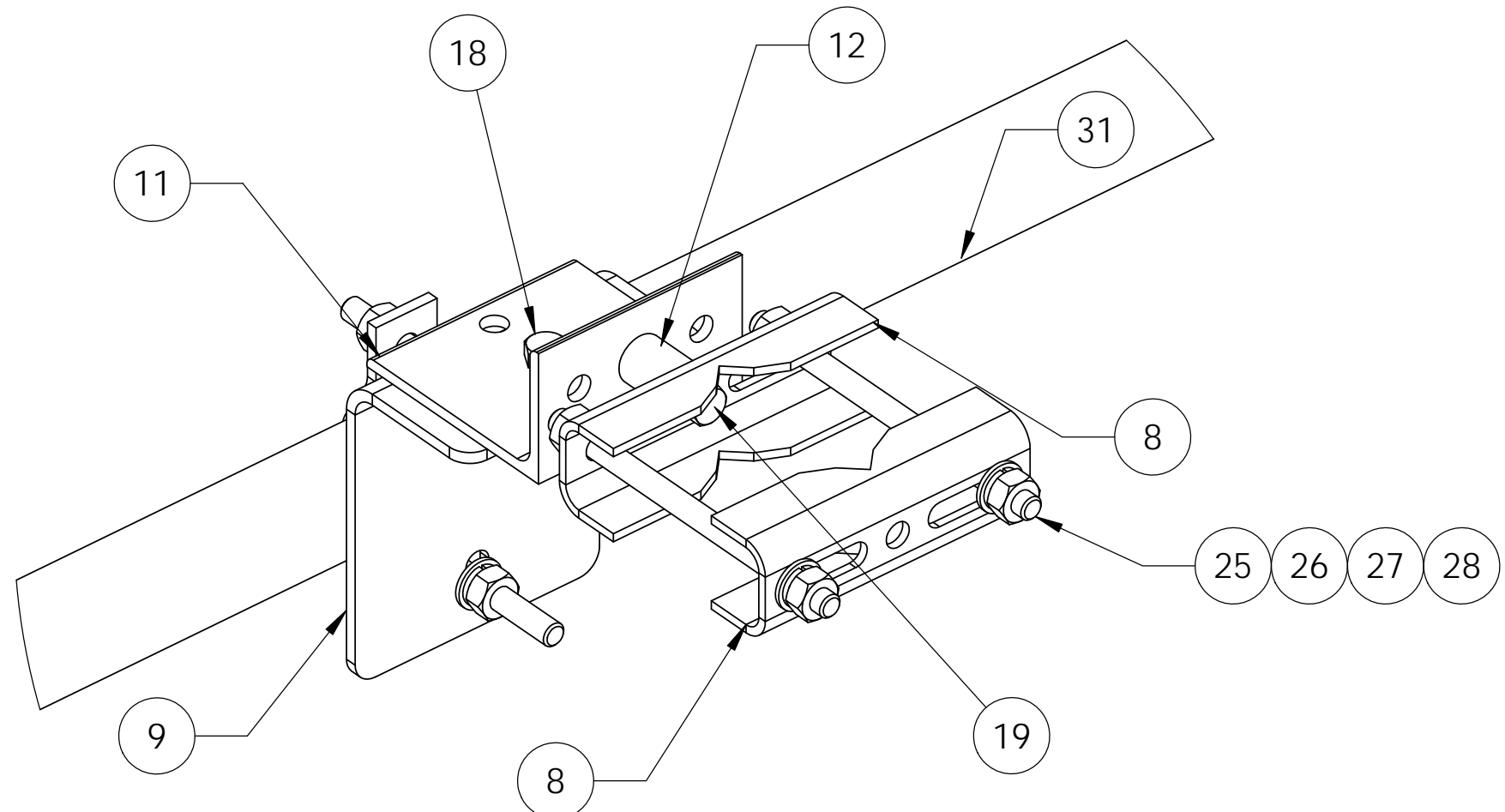
DETAIL F
SCALE 1 : 4



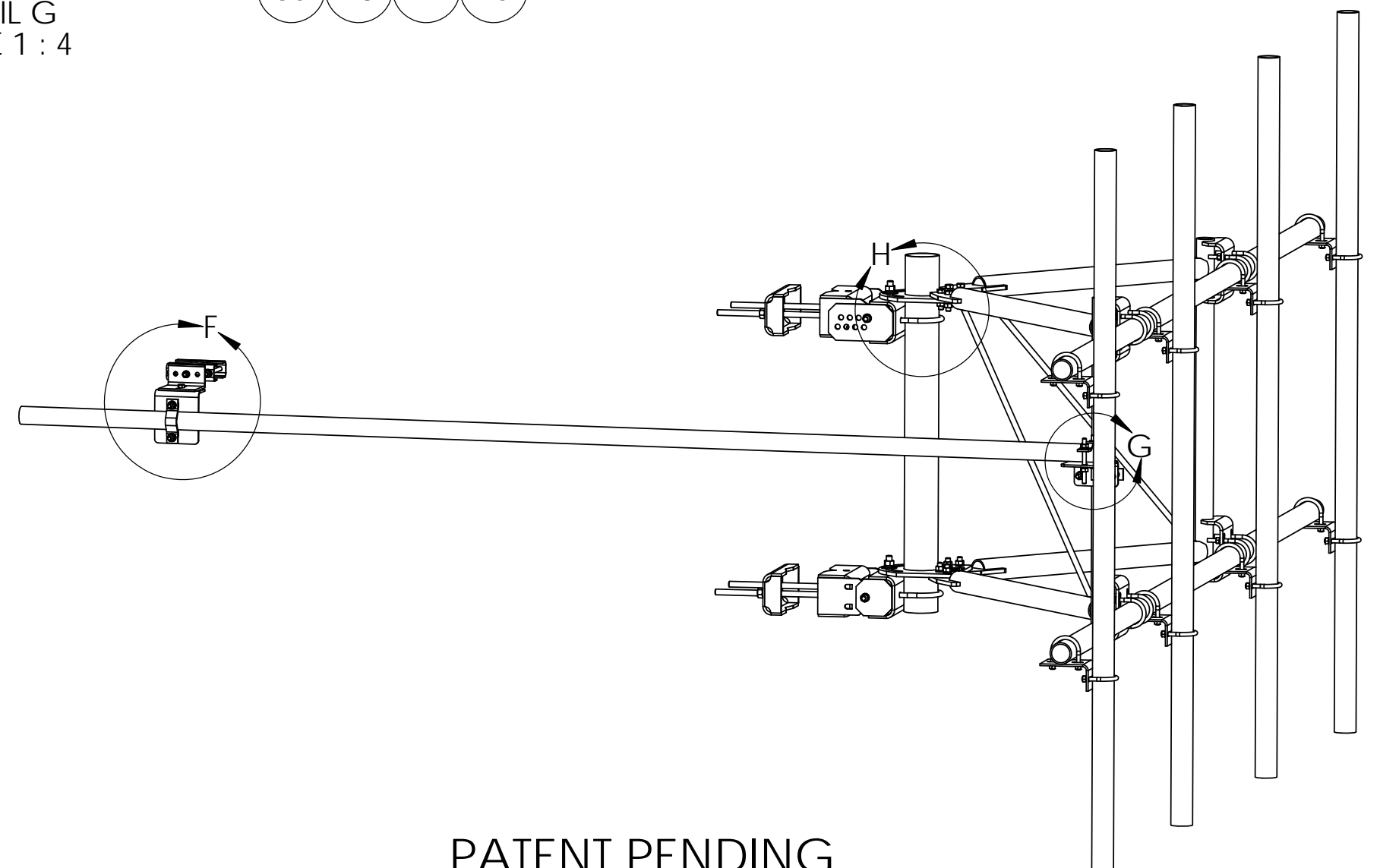
DETAIL G
SCALE 1 : 4



DETAIL H
SCALE 1 : 6



DETAIL E
SCALE 1 : 4




PATENT PENDING

These drawings and specifications are the proprietary property of CommScope Inc. and may be used only for the specific purpose authorized in writing by CommScope Inc.

ALL DIMENSIONS ARE IN INCHES U.O.S.
TOLERANCES UNLESS OTHERWISE SPECIFIED:
.X = ± .12 ANGLES ±2°
.XX = ± .06 FRACTIONS ±1/32
.XXX = ± .03

REMOVE BURRS AND BREAK EDGES .005
DO NOT SCALE THIS PRINT

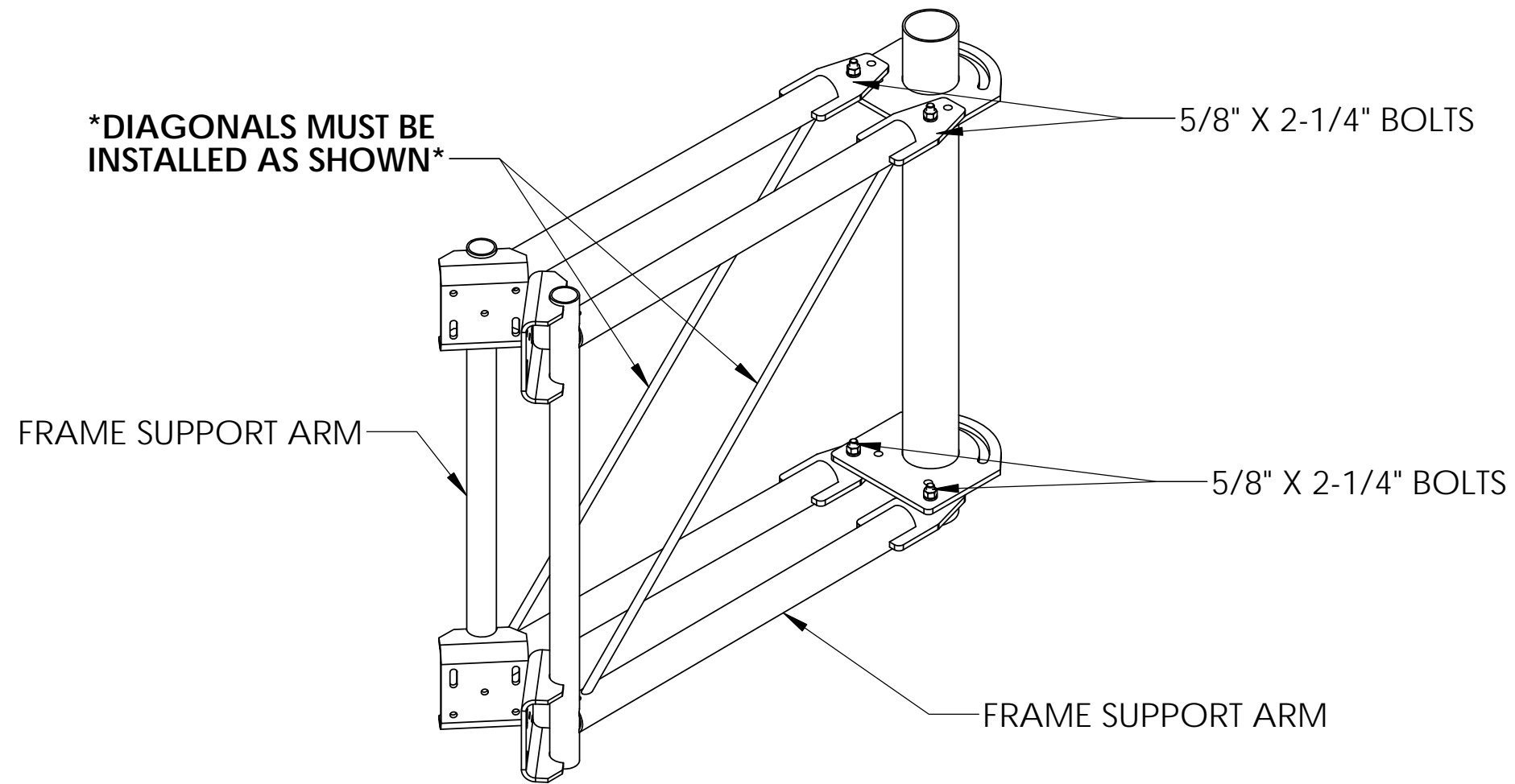
DRAWN BY: DRR	SHEET: 6 of 8	PART NUMBER: SFG23HDX SERIES
CHECKED BY: TP	SCALE: NTS	DESCRIPTION: SEE TABLE
DATE: 04/07/17	MATERIAL: A-36, A-500	DRAWING TYPE: ASSEMBLY DRAWING
REVISION: B	FINISH: GALV A123	 Hickory, NC 28602 U.S.A.
	WEIGHT: N/A	

8 7 6 5 4 3 2 1

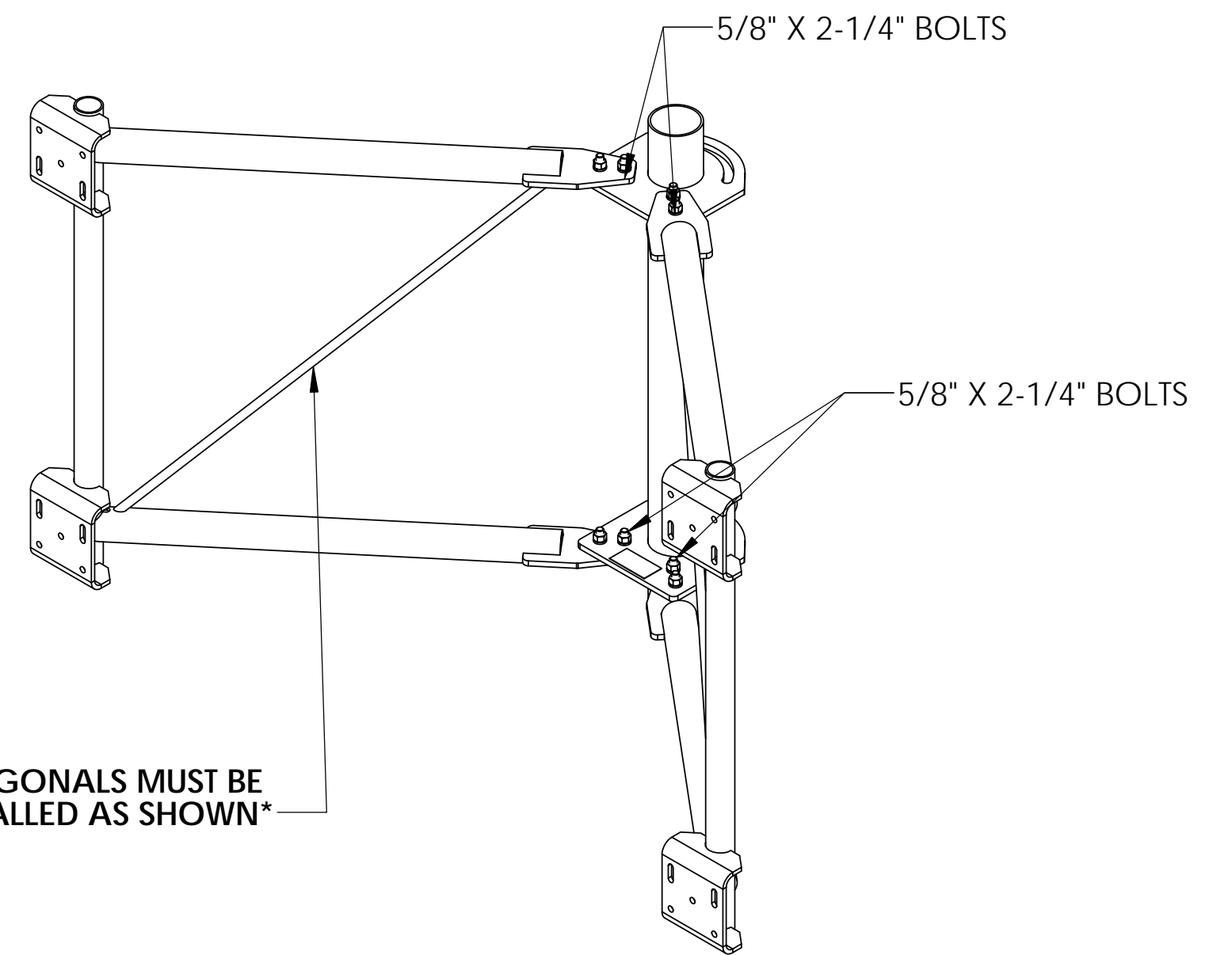
STEP 1: LOOSEN 5/8" HARDWARE TO OPEN ARMS.

ASSEMBLY INSTRUCTION ORDER

STEP 2: OPEN ARMS ADD 5/8" X 2-1/4" BOLTS

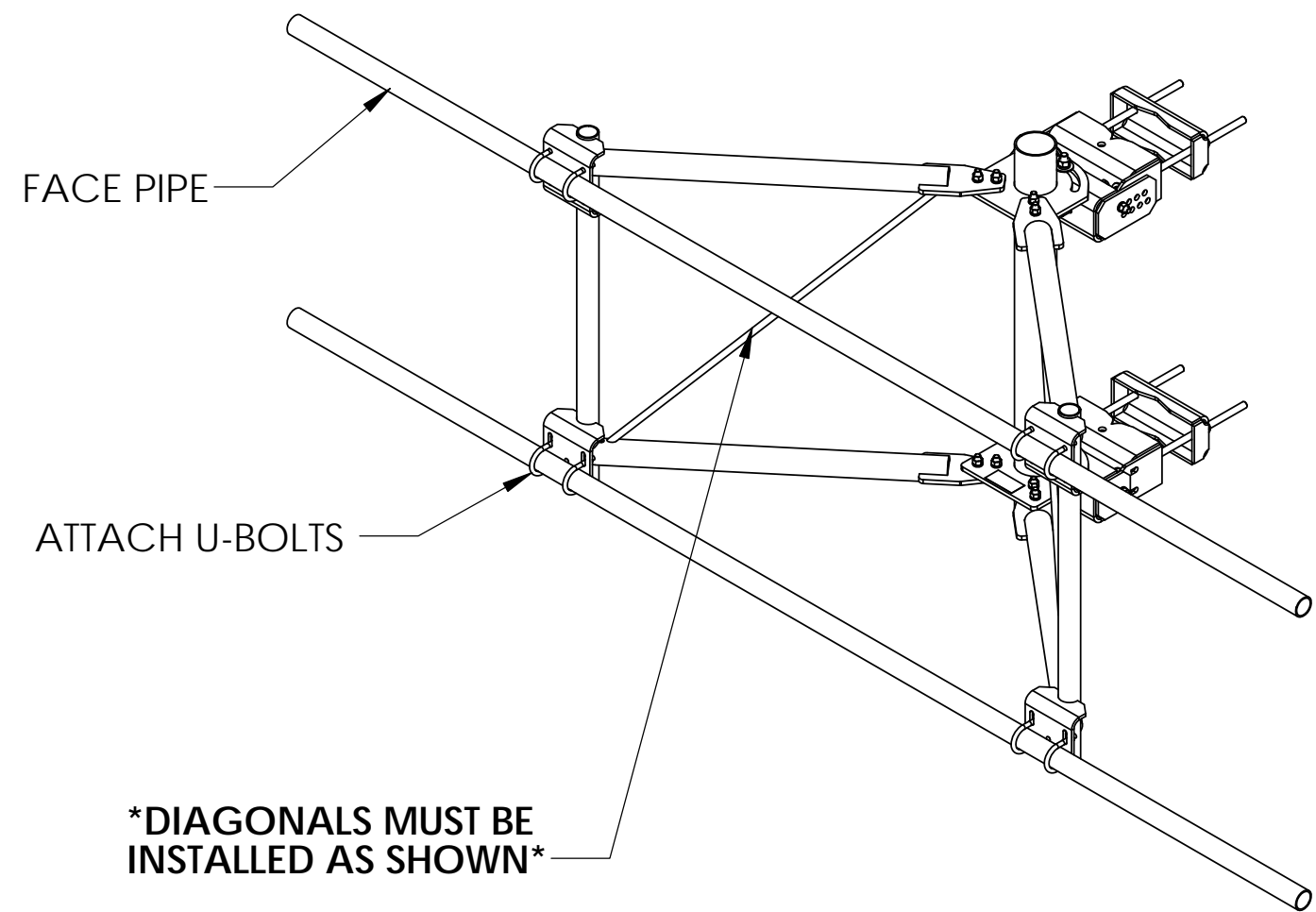


DO NOT TIGHTEN ϕ 5/8" BOLTS AT THIS TIME



STEP 3: INSTALL FACE PIPES AND ϕ 1/2" U-BOLTS

TIGHTEN U-BOLTS FIRST AND ϕ 5/8" BOLTS SECOND



DIAGONALS MUST BE INSTALLED AS SHOWN

DIAGONALS MUST BE INSTALLED AS SHOWN

PATENT PENDING

These drawings and specifications are the proprietary property of CommScope Inc. and may be used only for the specific purpose authorized in writing by CommScope Inc.

ALL DIMENSIONS ARE IN INCHES U.O.S.
TOLERANCES UNLESS OTHERWISE SPECIFIED:
.X = \pm .12 ANGLES \pm 2'
.XX = \pm .06 FRACTIONS \pm 1/32
.XXX = \pm .03

REMOVE BURRS AND BREAK EDGES .005

DO NOT SCALE THIS PRINT

DRAWN BY: DRR SHEET: 7 of 8

CHECKED BY: TP SCALE: NTS

DATE: 04/07/17 MATERIAL: A-36, A-500

REVISION: B FINISH: GALV A123

WEIGHT: N/A

PART NUMBER: SFG23HDX SERIES

DESCRIPTION: SEE TABLE

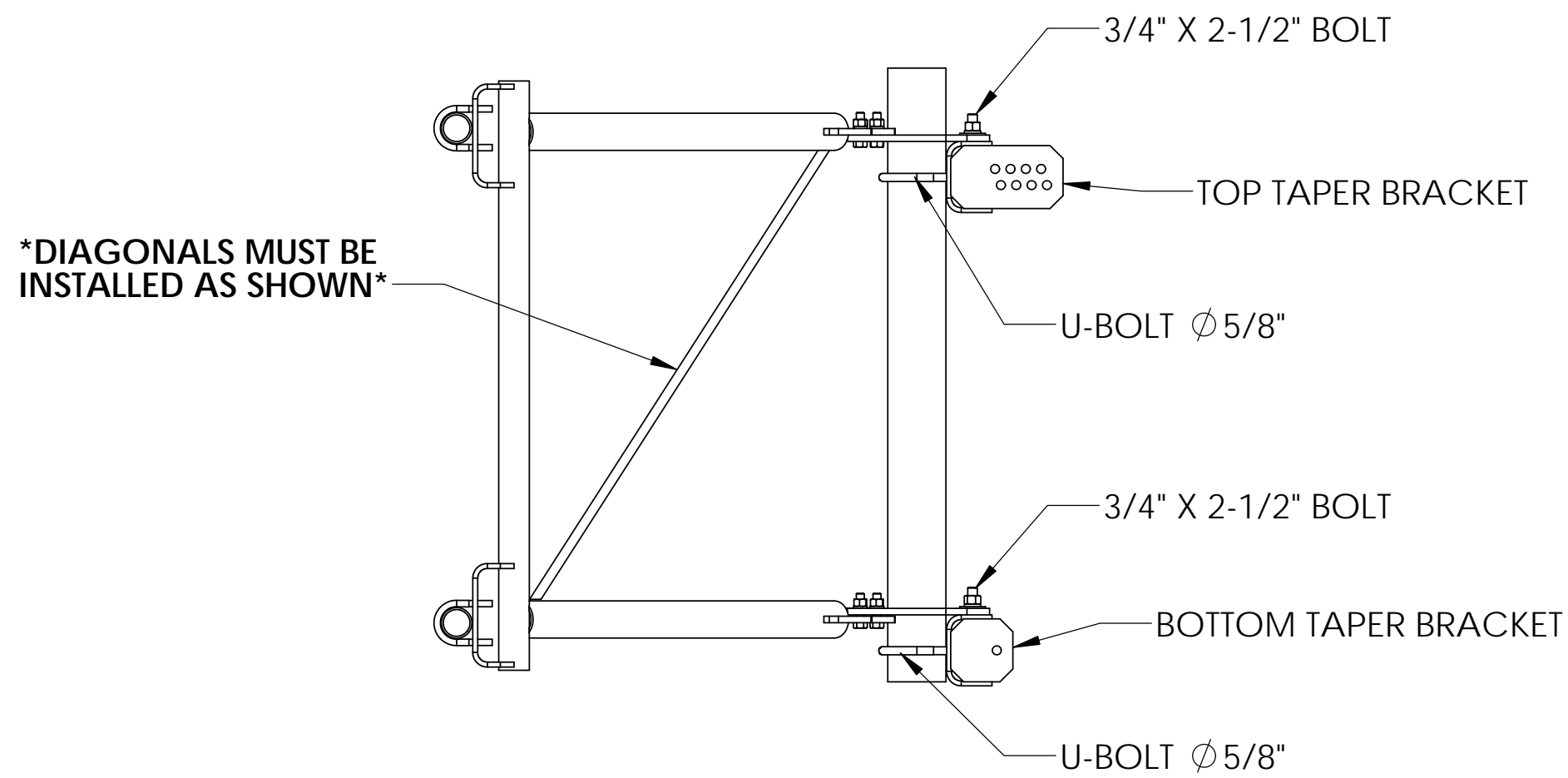
DRAWING TYPE: ASSEMBLY DRAWING

COMMScope®

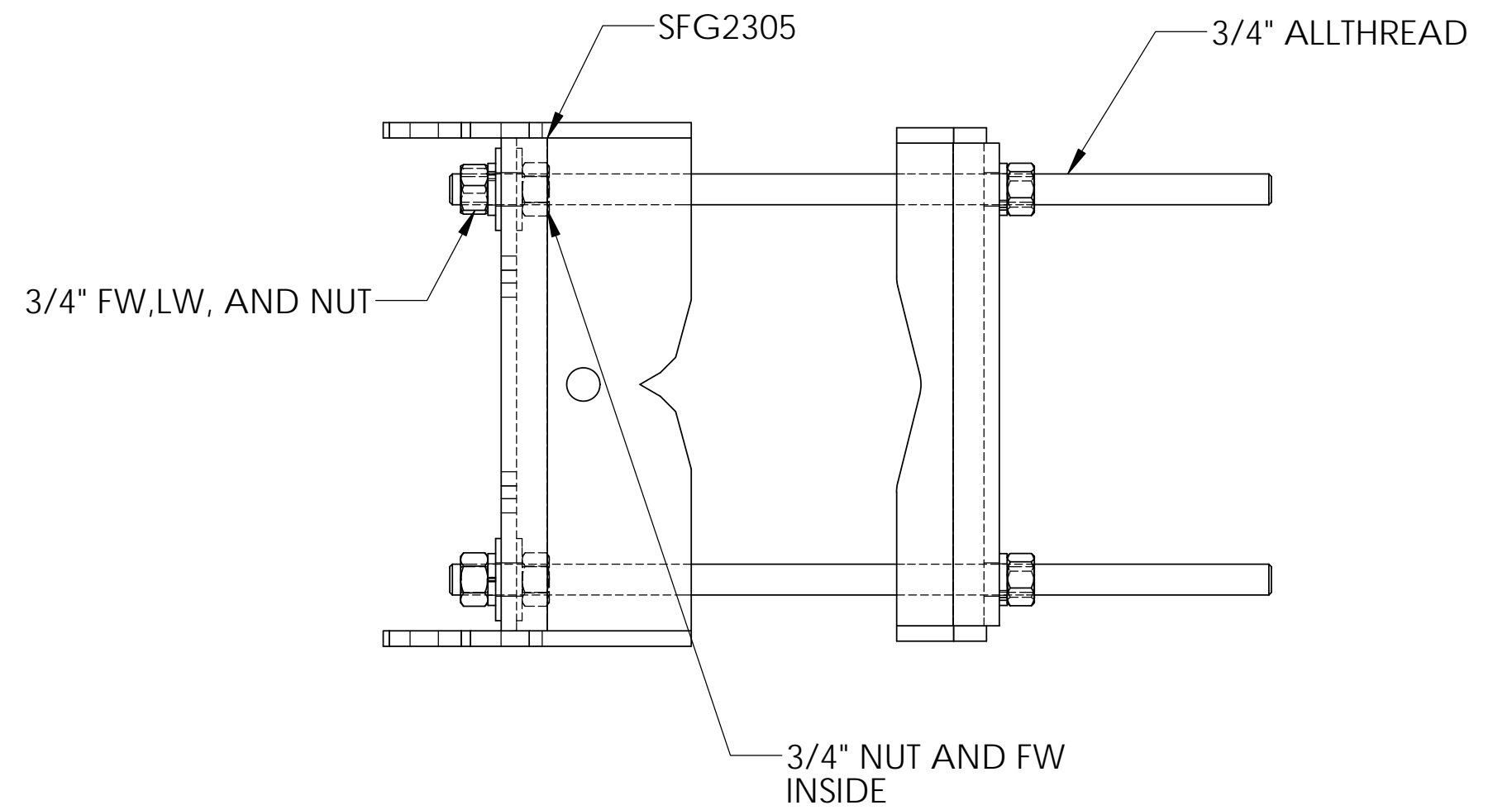
Hickory, NC 28602 U.S.A.

8 7 6 5 4 3 2 1

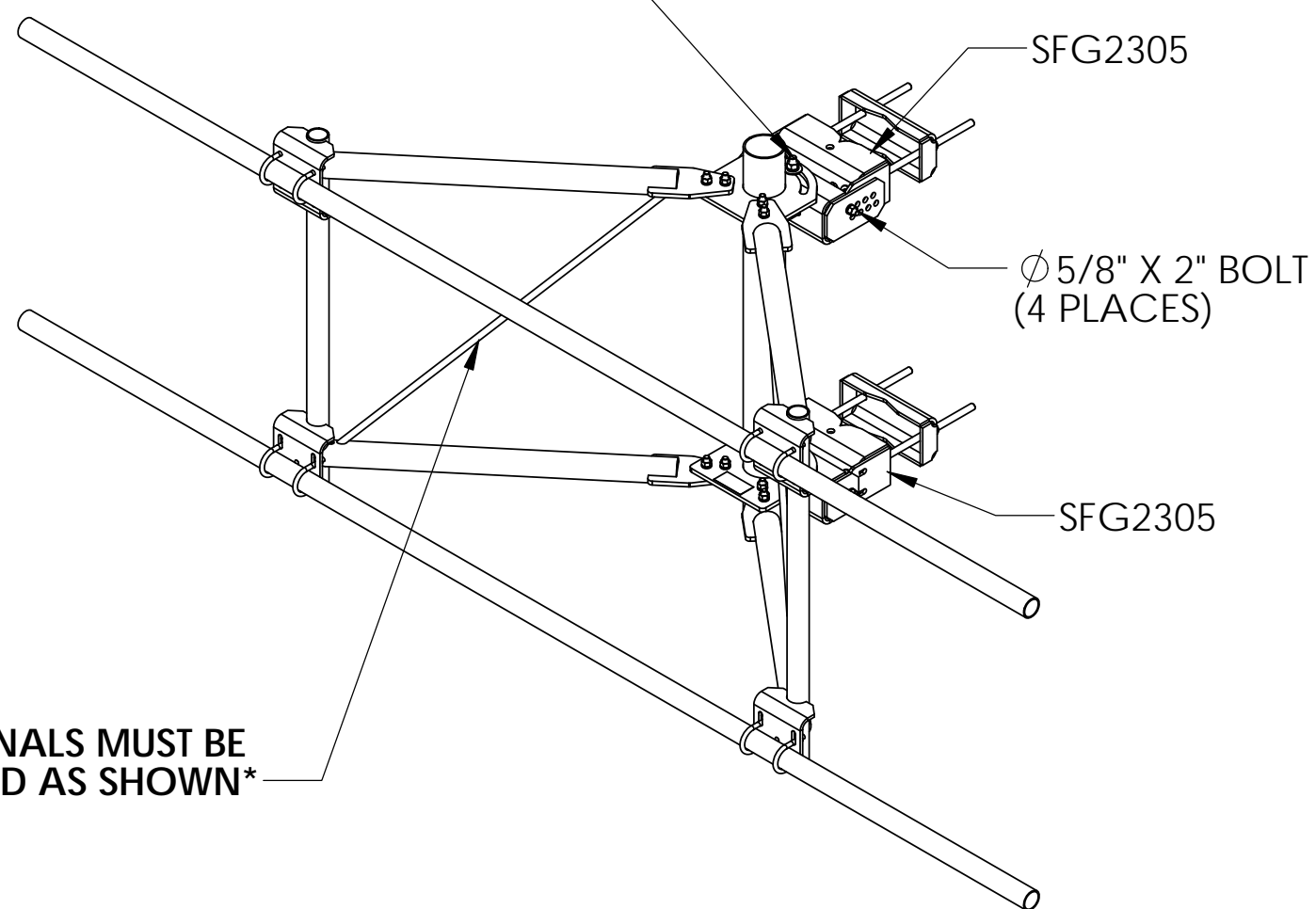
STEP 4: ASSEMBLE TOWER CLAMPS



**STEP 5: ATTACH TOWER CLAMPS
*ROUND TOWER LEG SETUP SHOWN***



ϕ 3/4" X 2-1/2" BOLT
(2 PLACES)



DIAGONALS MUST BE INSTALLED AS SHOWN

***DIAGONALS MUST BE
INSTALLED AS SHOWN***

PATENT PENDING

<p>These drawings and specifications are the proprietary property of CommScope Inc. and may be used only for the specific purpose authorized in writing by CommScope Inc.</p> <p>ALL DIMENSIONS ARE IN INCHES U.O.S. TOLERANCES UNLESS OTHERWISE SPECIFIED:</p> <p>.X = ± .12 ANGLES ±2° .XX = ± .06 FRACTIONS ±1/32 .XXX = ± .03</p> <p>REMOVE BURRS AND BREAK EDGES .005</p> <p>DO NOT SCALE THIS PRINT</p>	<p>DRAWN BY: DRR</p>	<p>SHEET: 8 of 8</p>	<p>PART NUMBER: SFG23HDX SERIES</p>
	<p>CHECKED BY: TP</p>	<p>SCALE: NTS</p>	<p>DESCRIPTION: SEE TABLE</p>
	<p>DATE: 04/07/17</p>	<p>MATERIAL: A36</p>	<p>DRAWING TYPE: ASSEMBLY DRAWING</p>
	<p>REVISION: B</p>	<p>FINISH: GALV A123</p>	<p>WEIGHT: N/A</p>

8 7 6 5 4 3 2 1