

# CBC7821-DF-2X | E11F05P10

---

Twin Triplexer 700 and 750/Cellular/AWS and PCS

## OBSOLETE

This product was discontinued on: October 31, 2018

### Replaced By:

CBC7823T-DS-43  
E14F60P04

Twin Triplexer 700/850/1695-2360,dc Sense, 4.3-10

## Product Classification

**Product Type** Triplexer

## General Specifications

**Product Family** CBC7821

**Color** Gray

**Common Port Label** COMMON

**Modularity** 2-Twin

**Mounting** Frame | Pole | Rack | Rod | Wall

**Mounting Pipe Hardware** Band clamps (2)

**RF Connector Interface** 7-16 DIN Female

**RF Connector Interface Body Style** Medium neck

## Dimensions

**Height** 200 mm | 7.874 in

**Width** 185 mm | 7.283 in

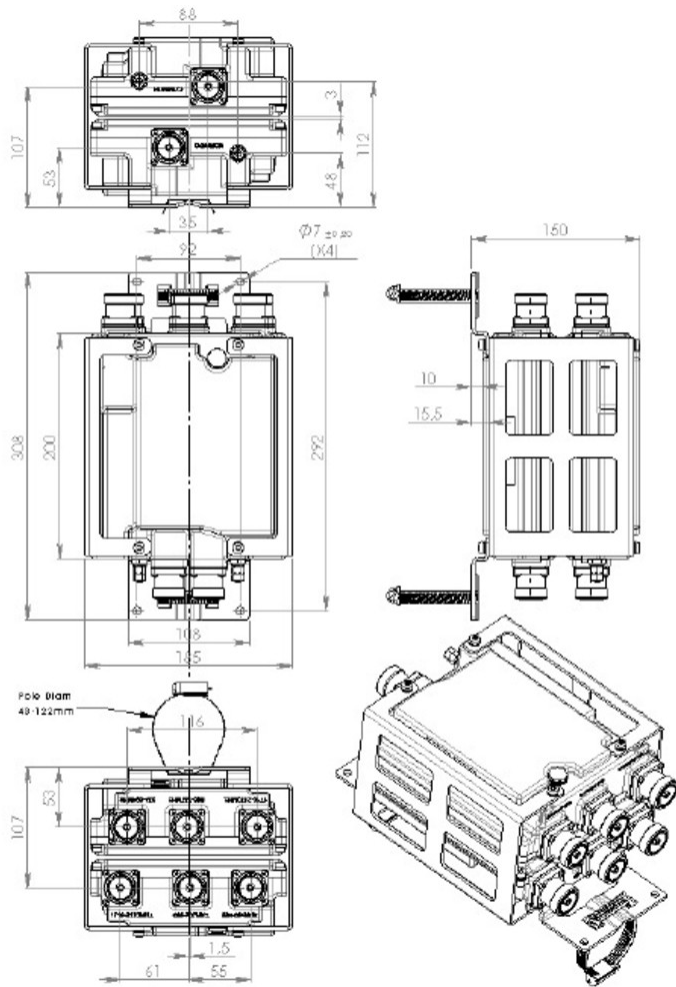
**Depth** 140 mm | 5.512 in

**Ground Screw Diameter** 6.35 mm | 0.25 in

**Mounting Pipe Diameter Range** 40–160 mm

## Outline Drawing

# CBC7821-DF-2X | E11F05P10



## Electrical Specifications

<b>Impedance</b>	50 ohm
<b>License Band, Band Pass</b>	AWS 1700   CEL 850   DCS 1800   IMT 2100   PCS 1900   USA 700   USA 750

## Electrical Specifications, Common Port

<b>Composite Power, RMS</b>	500 W
-----------------------------	-------

## Electrical Specifications, dc Power/Alarm

<b>dc/AISG Pass-through, combiner</b>	Branch 1   Branch 2   Branch 3
<b>dc/AISG Pass-through, demultiplexer</b>	Branch 1   Branch 2   Branch 3
<b>Lightning Surge Current</b>	10 kA
<b>Lightning Surge Current Waveform</b>	8/20 waveform

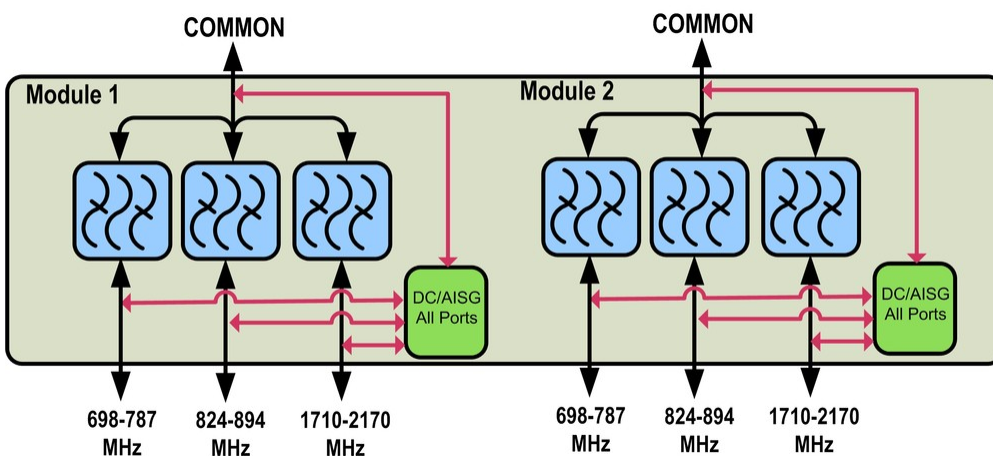
## Electrical Specifications

<b>Sub-module</b>	<b>1   2</b>	<b>1   2</b>	<b>1   2</b>
<b>Branch</b>	1	2	3
<b>Port Designation</b>	698-787	824-894	1710-2170
<b>License Band</b>	USA 700, Band Pass USA 750, Band Pass	CEL 850, Band Pass	AWS 1700, Band Pass DCS 1800, Band Pass IMT 2100, Band Pass PCS 1900, Band Pass

## Electrical Specifications, Band Pass

<b>Frequency Range, MHz</b>	<b>698-787</b>	<b>824-894</b>	<b>1710-2170</b>
<b>Insertion Loss, typical, dB</b>	0.2	0.2	0.15
<b>Total Group Delay, maximum, ns</b>	30	30	6
<b>Return Loss, minimum, dB</b>	22	22	22
<b>Return Loss, typical, dB</b>	24	24	24
<b>Isolation, minimum, dB</b>	50	50	50
<b>Input Power, RMS, maximum, W</b>	200	200	200
<b>Input Power, PEP, maximum, W</b>	2000	2000	2000
<b>3rd Order PIM, typical, dBc</b>	-153	-153	-153
<b>3rd Order PIM Test Method</b>	2 x 20 W CW tones	2 x 20 W CW tones	2 x 20 W CW tones

## Block Diagram



## Environmental Specifications

**Operating Temperature** -40 °C to +65 °C (-40 °F to +149 °F)

# CBC7821-DF-2X | E11F05P10

---

<b>Relative Humidity</b>	5%–100%
<b>Ingress Protection Test Method</b>	IEC 60529:2001, IP67

## Packaging and Weights

<b>Included</b>	Mounting hardware
<b>Volume</b>	5.2 L
<b>Weight, net</b>	7 kg   15.432 lb

## Regulatory Compliance/Certifications

### Agency

ISO 9001:2015



### Classification

Designed, manufactured and/or distributed under this quality management system