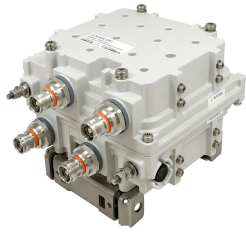


CBC78T-DS-43 | E14F05P19



Twin Diplexer, 698–803/824–894MHz, DC Sense, 4.3-10

- Automatic dc switching with dc sense
- Convertible mounting brackets
- Stackable in multiples with included hardware
- New 4.3-10 connectors for improved PIM performance and size reduction

Product Classification

Product Type Diplexer

General Specifications

Product Family CBC78

Color Gray

Common Port Label COMM

Modularity 2-Twin

Mounting Pole | Wall

Mounting Pipe Hardware Band clamps (2)

RF Connector Interface 4.3-10 Female

RF Connector Interface Body Style Long neck

Dimensions

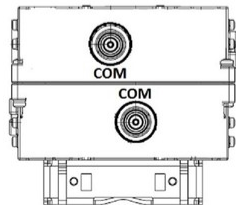
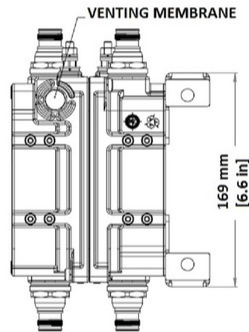
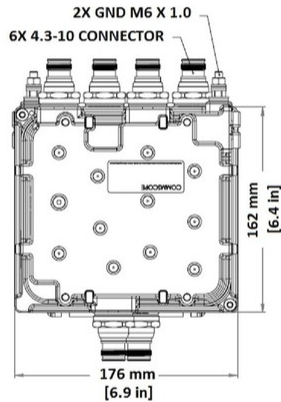
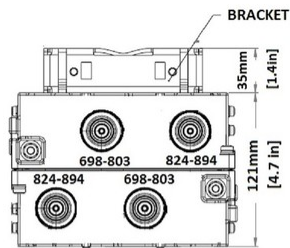
Height 162 mm | 6.378 in

Width 176 mm | 6.929 in

Depth 121 mm | 4.764 in

Ground Screw Diameter 6 mm | 0.236 in

Outline Drawing



Electrical Specifications

Impedance	50 ohm
License Band, Band Pass	CEL 850 USA 700 USA 750

Electrical Specifications, Common Port

Composite Power, RMS	250 W
-----------------------------	-------

Electrical Specifications, dc Power/Alarm

dc/AISG Pass-through Method	Auto sensing
dc/AISG Pass-through Path	See logic table
Lightning Surge Current	10 kA
Lightning Surge Current Waveform	8/20 waveform

CBC78T-DS-43 | E14F05P19

Electrical Specifications, AISG

AISG Carrier	2176 KHz ± 100 ppm
Insertion Loss, maximum	1 dB
Return Loss, minimum	15 dB

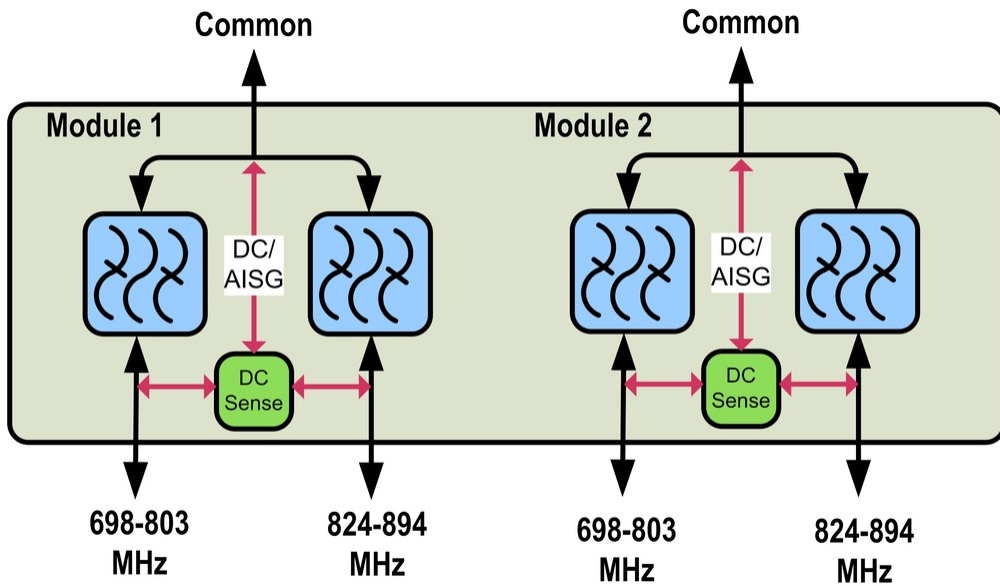
Electrical Specifications

Sub-module	1 2	1 2	1 2
Branch	1	1	2
Port Designation	698-803		824-894
License Band	USA 700, Band Pass USA 750, Band Pass	USA 700, Band Pass USA 750, Band Pass	CEL 850, Band Pass

Electrical Specifications, Band Pass

	698-803	698-798	824-894
Frequency Range, MHz			
Insertion Loss, typical, dB	0.3	0.2	0.2
Total Group Delay, maximum, ns	45		35
Return Loss, minimum, dB	22		22
Return Loss, typical, dB	24		24
Isolation, minimum, dB	35	50	50
Input Power, RMS, maximum, W	200		200
Input Power, PEP, maximum, W	2000		2000
3rd Order PIM, minimum, dBc	-161		-161
3rd Order PIM Test Method	2 x 20 W CW tones		2 x 20 W CW tones

Block Diagram



Logic Table

Combining Mode Operation (Ground Based)			
RF Ports Input Voltage			
700 MHz	800 MHz	COMMON	DC/AISG Path Selection
$7 \leq V \leq 30$	$V < 7$	$V < 7$	700 MHz to COMMON "ON" 800 MHz Port "OFF"
$V < 7$	$7 \leq V \leq 30$	$V < 7$	800 MHz to COMMON "ON" 700 MHz "OFF"
$7 \leq V \leq 30$	$7 \leq V \leq 30$	$V < 7$	700 MHz to COMMON "ON" 800 MHz "OFF"
$V < 7$	$V < 7$	$V < 7$	ALL ports OFF

Splitting Mode Operation (Tower Top)			
RF Ports Input Voltage			
700 MHz	800 MHz	COMMON	DC/AISG Path Selection
$V < 7$	$V < 7$	$7 \leq V \leq 30$	700 MHz to COMMON "ON" 800 MHz "OFF"

Environmental Specifications

Operating Temperature	-40 °C to +65 °C (-40 °F to +149 °F)
Relative Humidity	5%–100%
Corrosion Test Method	IEC 60068-2-11, 30 days

CBC78T-DS-43 | E14F05P19

Ingress Protection Test Method IEC 60529:2001, IP67

Packaging and Weights

Included Mounting hardware

Mounting Hardware Weight 0.5 kg | 1.102 lb

Volume 3.5 L

Weight, without mounting hardware 4.7 kg | 10.362 lb