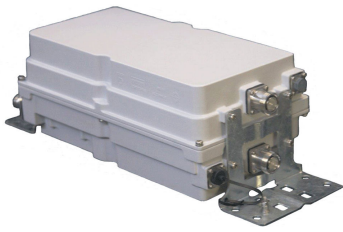


E15R02P35



Dual Band Tower Mounted Amplifier, 800//900 MHz (791-862//880-960 MHz), 12 dB, 2 ANT & 2 BTS ports, AISG with 1 RET connector (2 devices with 2 sub-units each)

OBSOLETE

This product was discontinued on: December 31, 2023

Replaced By:

E16R30P00

Dual Band Tower Mounted Amplifier, 800//900 MHz, 12 dB, 2 BTS & 2 ANT ports, AISG with 1 RET connector (2 device with 2 sub-units), with 4.3-10 connectors

Product Classification

Product Type 1-BTS:1-ANT (Uniplex) | Tower mounted amplifier

General Specifications

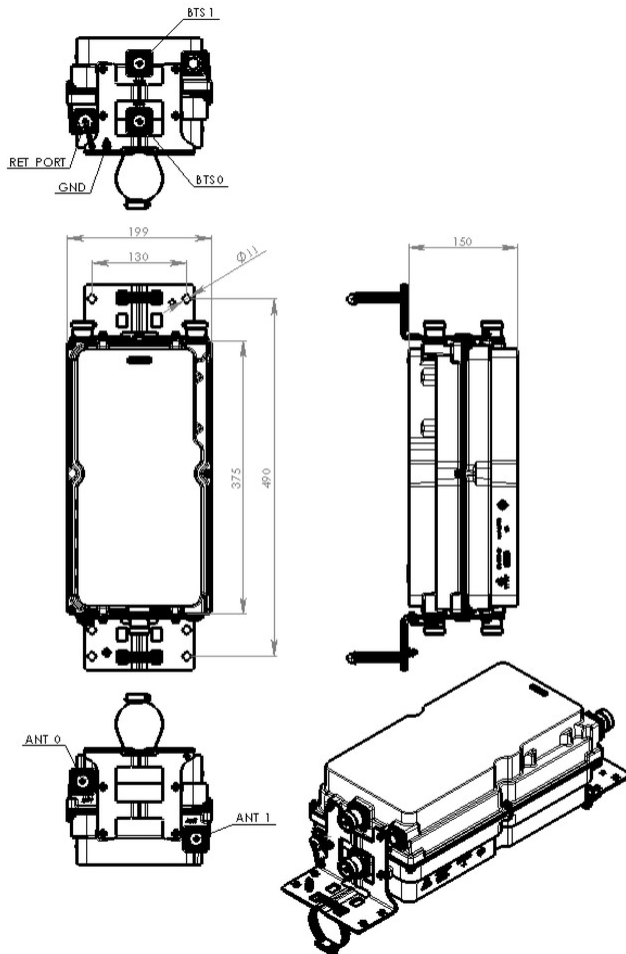
Color Gray
Modularity 2-Twin
Mounting Pole | Wall
Mounting Pipe Hardware Band clamps (2)
RF Connector Interface 7-16 DIN Female

Dimensions

Height 375 mm | 14.764 in
Width 199 mm | 7.835 in
Depth 150 mm | 5.906 in
Mounting Pipe Diameter Range 50–120 mm

E15R02P35

Outline Drawing



Electrical Specifications

License Band, LNA CEL 900 | EDD 800

Electrical Specifications, dc Power/Alarm

dc Switching/Redundancy	Yes
Lightning Surge Current	10 kA
Lightning Surge Current Waveform	8/20 waveform
Voltage	7–30 Vdc
Alarm Current, CWA Mode	250 mA \pm 10 mA

Electrical Specifications, AISG

E15R02P35

AISG Connector	8-pin DIN Female
AISG Connector Standard	IEC 60130-9
Protocol	AISG 2.0
Voltage, AISG Mode	10–30 Vdc

Electrical Specifications

Sub-module	1 2	1 2
Branch	1	1
Port Designation	ANT	ANT
License Band	EDD 800, LNA	CEL 900, LNA

Electrical Specifications Rx (Uplink)

Frequency Range, MHz	832–862	880–915
Bandwidth, MHz	30	35
Gain, nominal, dB	12	12
Noise Figure, typical, dB	1.3	1.4
Group Delay Variation, maximum, ns	120	105
Group Delay Variation Bandwidth, MHz	5	5
Return Loss, minimum, dB	18	18

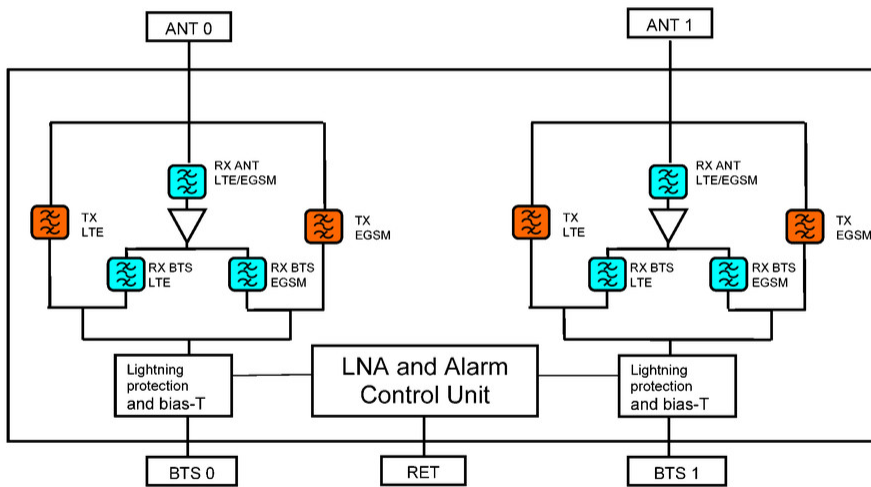
Electrical Specifications Tx (Downlink)

Frequency Range, MHz	791–821	925–960
Bandwidth, MHz	30	35
Insertion Loss, typical, dB	0.6	0.6
Group Delay Variation, maximum, ns	30	30
Group Delay Variation Bandwidth, MHz	5	5
Return Loss, minimum, dB	18	18
Input Power, RMS, maximum, W	200	200
Input Power, PEP, maximum, W	2000	2000
3rd Order PIM, maximum, dBc	-153	-153
3rd Order PIM Test Method	Two +43 dBm carriers	Two +43 dBm carriers

E15R02P35

Block Diagram

SCHEMATIC DIAGRAM



Environmental Specifications

Operating Temperature	-40 °C to +65 °C (-40 °F to +149 °F)
Relative Humidity	Up to 100%
Corrosion Test Method	IEC 60068-2-11, 30 days
Ingress Protection Test Method	IEC 60529:2001, IP67

Packaging and Weights

Included	Mounting hardware
Volume	11.2 L
Weight, net	11.8 kg 26.015 lb

Regulatory Compliance/Certifications

Agency	Classification
ISO 9001:2015	Designed, manufactured and/or distributed under this quality management system



* Footnotes

License Band, LNA License Bands that have RxUplink amplification