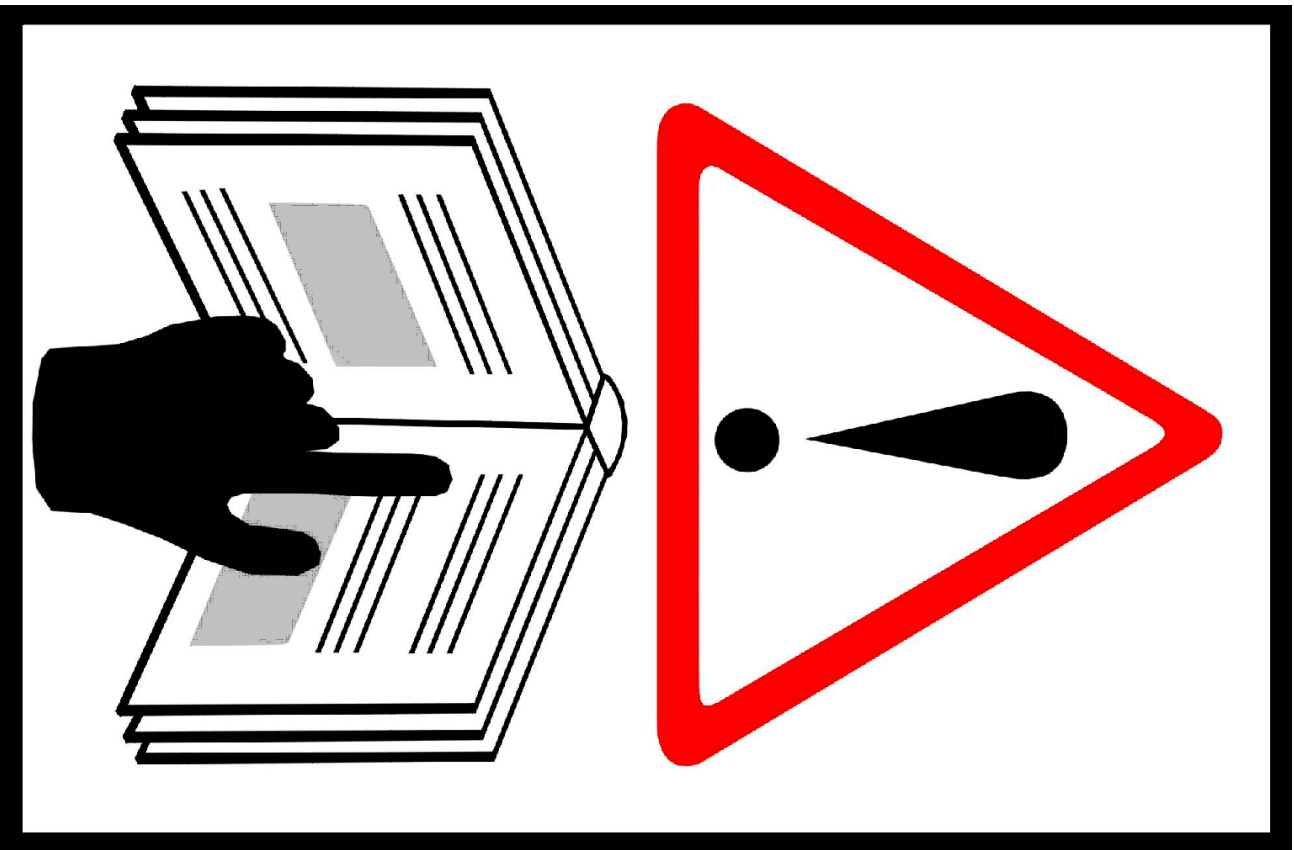




7830580 Rev:B

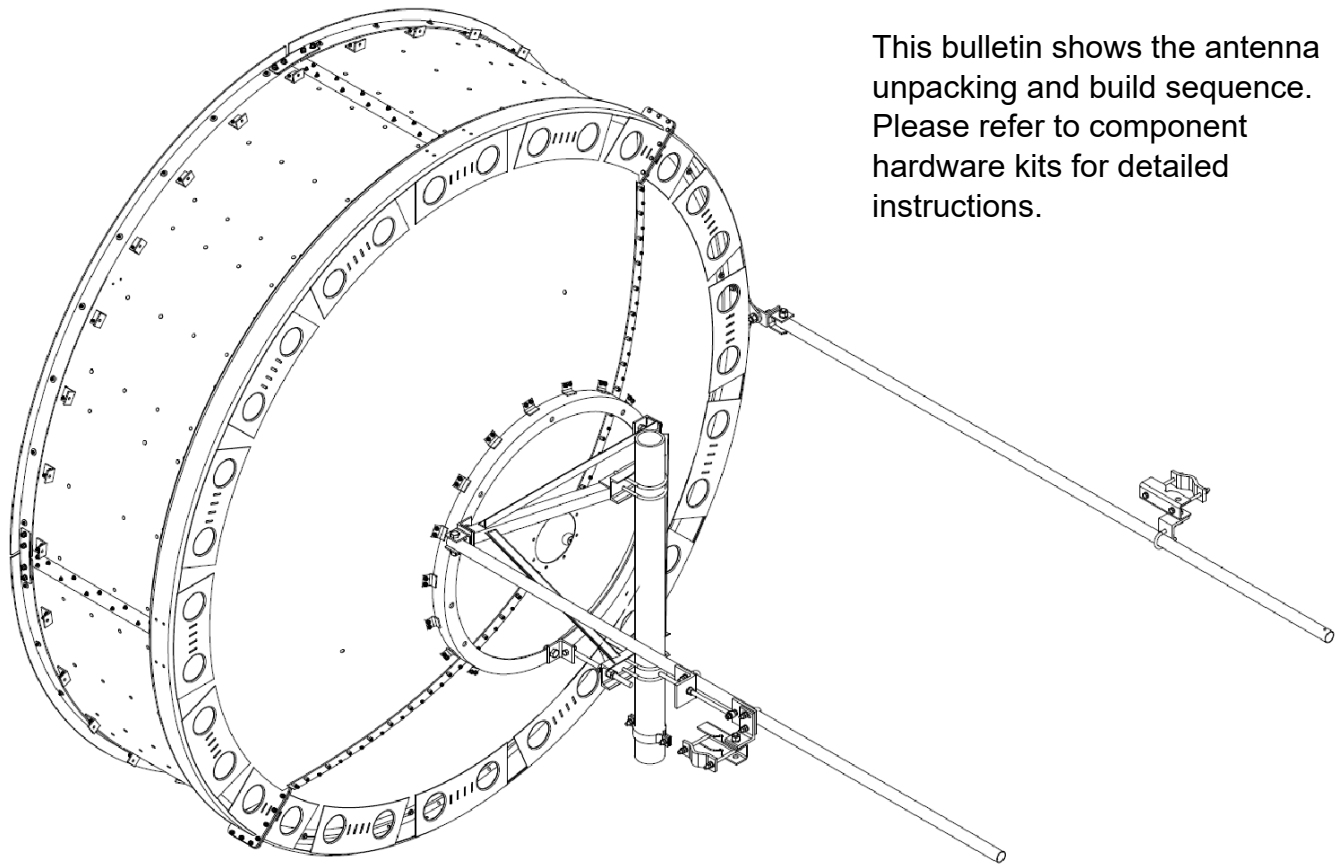


IMPORTANT!

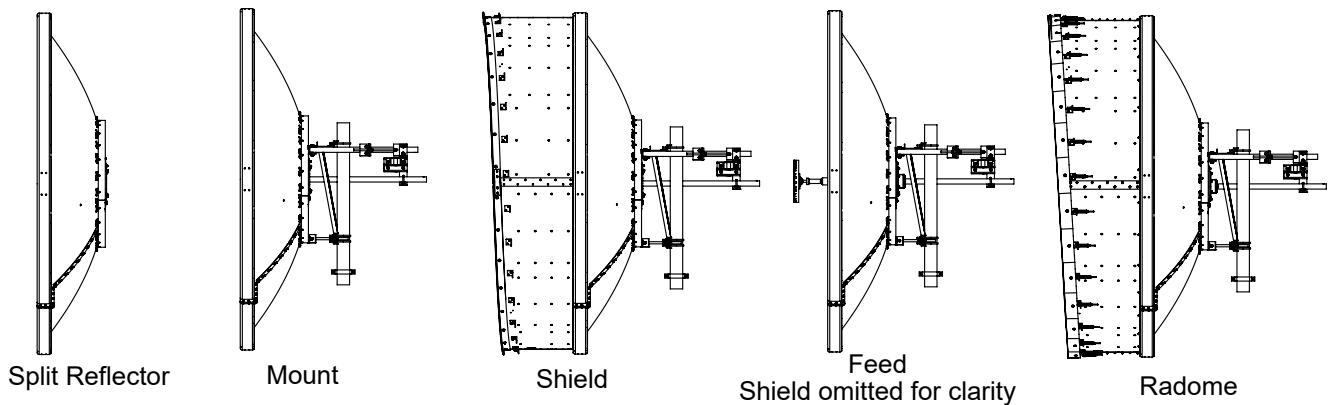
**INSTALLATION
INSTRUCTIONS**

**READ THIS
MANUAL FULLY
BEFORE STARTING
INSTALLATION**

Antenna Assembly



This bulletin shows the antenna unpacking and build sequence. Please refer to component hardware kits for detailed instructions.



Sequence of Antenna Assembly

Always read the entire manual before commencing installation

CommScope
 1100 CommScope Place SE P.O. Box 339, Hickory, NC 28603-0339
 (828) 324-2200 (800) 982-1708
 www.commscope.com

Notice: CommScope disclaims any liability or responsibility for the results of improper or unsafe installation, inspection, maintenance, or removal practices.
 Aviso: CommScope no acepta ninguna obligación ni responsabilidad como resultado de prácticas incorrectas o peligrosas de instalación, inspección, mantenimiento o retiro. Avis : CommScope décline toute responsabilité pour les conséquences de procédures d'installation, d'inspection, d'entretien ou de retrait incorrectes ou dangereuses. Hinweis: CommScope lehnt jede Haftung oder Verantwortung für Schäden ab, die aufgrund unsachgemäßer Installation, Überprüfung, Wartung oder Demontage auftreten.
 Atenção: A CommScope abdica do direito de toda responsabilidade pelos resultados de práticas inadequadas e sem segurança de instalação, inspeção, manutenção ou remoção. Avvertenza: CommScope declina eventuali responsabilità derivanti dall'esecuzione di procedure di installazione, ispezione, manutenzione e smontaggio improprie o poco sicure.

注意：CommScope 公司申明對於不恰當或不安全的安裝、檢驗、維修或拆卸操作所導致的後果不負責任 何義務和責任
 © June, 2018 CommScope

Customer Service 24 hours
 North America: +1-800-255-1479 (toll free)
 Any country: +1-779-435-6500
 email: acicustomersupportcenter@commscope.com



SAFETY INSTRUCTIONS**NOTE:**

Reduce the risk of accidents by studying all the instructions carefully before starting working.

The safety information in this document presupposes that any person performing work on CommScope products or systems has the education, training and competence required to perform the task correctly.

SERVICE PERSONNEL

Installation and service must be carried out by authorized personnel having the appropriate technical training and experience necessary to be cognizant of hazards during installation and service, and of measures to minimize any danger to themselves or any other person.

SAFETY REQUIREMENTS & REGULATIONS

The safety requirements in the following sections must be followed to avoid personal injury and damage to tangible property.

Use local safety regulations where these are mandatory. The safety instructions in this document shall be used as a supplement to the local regulations.

In case of conflict between the safety instructions in this manual and the local safety regulations, the local safety regulations shall prevail if these are mandatory. If the local regulations are not mandatory the safety instructions in this manual shall prevail.

SAFETY SYMBOLS & DEFINITIONS**HOISTING****WARNING!**

Falling objects can cause accidents.

- Use only tested and approved hoisting equipment in accordance with the instructions supplied with the equipment. Appropriately trained personnel must operate the hoisting device.
- Always hoist from a suitable location.
- Never walk under hoisted loads.
- Follow local regulations for safety clothing and safety equipment for hoisting or moving goods.

WORKING AT HEIGHTS**WARNING!**

Some working areas involve the risk of accidents caused by falling or by falling objects

INSTALLATION HARDWARE

Do not use any installation components (for example screws and nuts) other than those enclosed with the equipment or recommended by CommScope.

INSTALLATION PROCEDURES & TOOLS

The installation procedures in this manual must be followed. Make sure that:

- Working instructions are followed.
- Recommended tools are used.
- Adequate safety devices are used.
- The risk of falling and falling objects is known.
- All hardware is tightened to the torques specified $\pm 5\%$. The integrity of the antenna depends on all fasteners being tightened correctly.

ANNUAL INSPECTION

Antenna systems should be inspected once a year by qualified personnel to verify proper installation, maintenance and condition of equipment.

Instructions for unpacking crate

1. Detach and lower front panel.
2. Cut strapping to remove shields and backing ring.
3. Carefully remove protective timber sections and fixings before removing reflector halves.
4. Remove and open kit boxes for further instructions to complete build.

