

E16V90P35



Quadplexer, dc bypass port 1, with 4.3-10 connectors

- New 4.3-10 connectors for improved PIM performance and size reduction
- Industry leading PIM performance
- Suitable for feeders cables reduction

This product will be discontinued on: December 30, 2024

Replaced By:

E14F15P13

Quadplexer 698-960/18/21/23-26, dc bypass on all ports, 4.3-10 connectors

Product Classification

Product Type Quadplexer

General Specifications

Product Family CBC7182126

Color Gray

Common Port Label PORT 0 COM

Modularity 1-Single

Mounting Pole | Wall

Mounting Pipe Hardware Band clamps (2)

RF Connector Interface 4.3-10 Female

RF Connector Interface Body Style Medium neck

Dimensions

Height 210 mm | 8.268 in

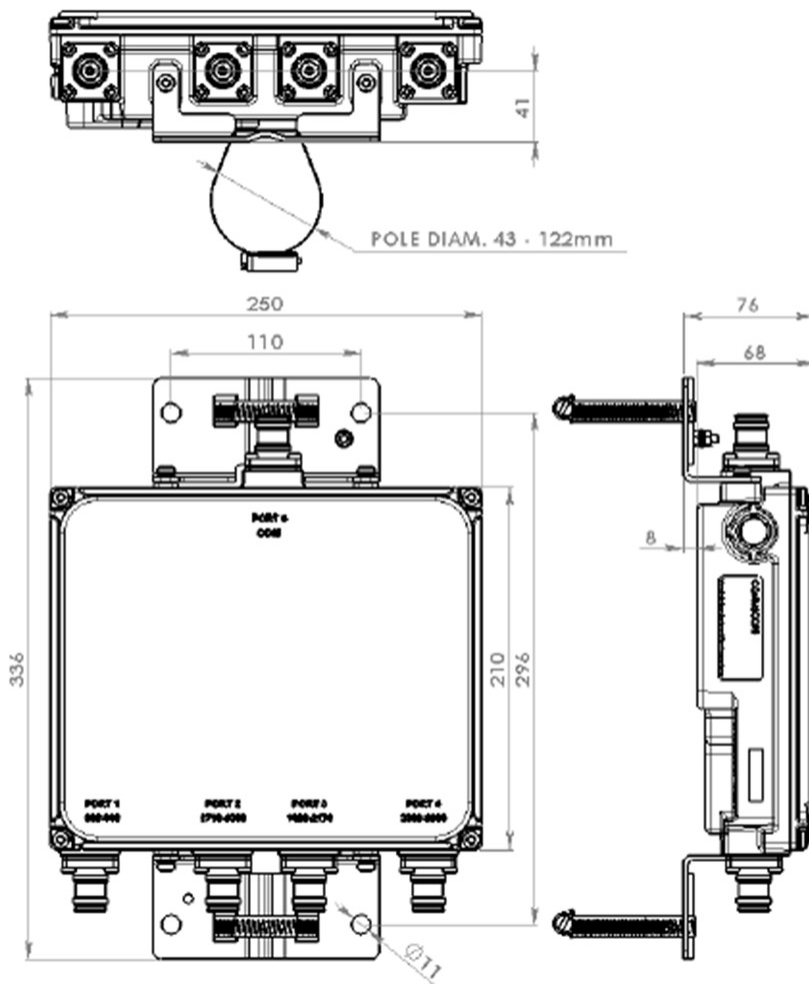
Width 250 mm | 9.843 in

Depth 68 mm | 2.677 in

Mounting Pipe Diameter Range 42.6–122 mm

E16V90P35

Outline Drawing



Electrical Specifications

Impedance	50 ohm
License Band, Band Pass	APT 700 CEL 850 CEL 900 DCS 1800 EDD 800 IMT 2100 IMT 2600 LMR 800 LMR 900

Electrical Specifications, dc Power/Alarm

dc/AISG Pass-through, combiner	Branch 1
dc/AISG Pass-through, demultiplexer	Branch 1
Lightning Surge Current	5 kA
Lightning Surge Current Waveform	8/20 waveform

E16V90P35

Electrical Specifications, AISG

AISG Carrier	2176 KHz ± 100 ppm
Insertion Loss, maximum	0.5 dB
Return Loss, minimum	10 dB

Electrical Specifications

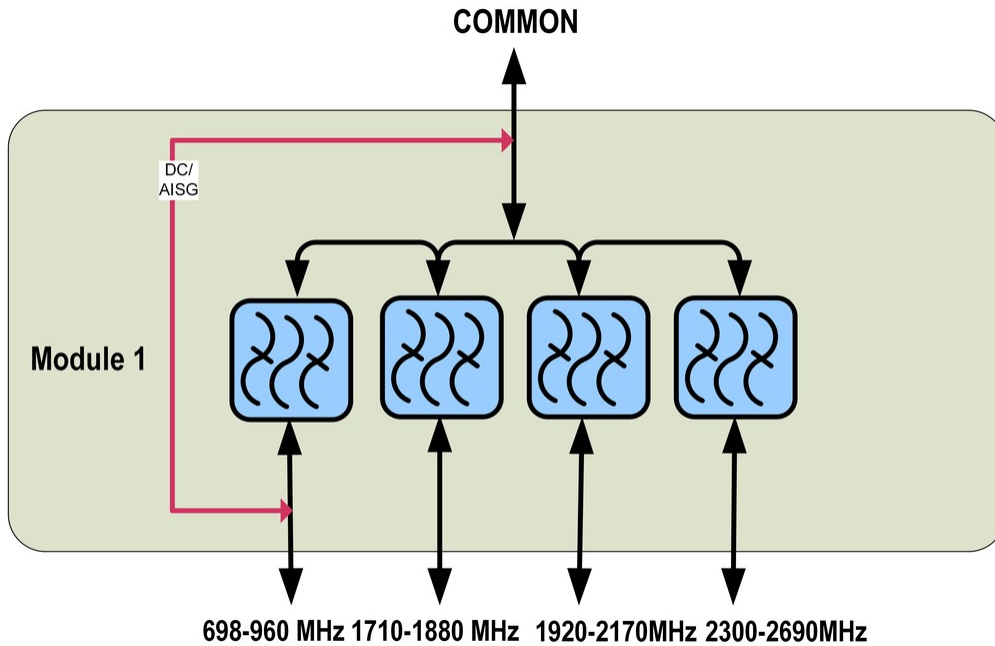
Sub-module	1	1	1	1
Branch	1	2	3	4
Port Designation	PORT 1 698-960	PORT 2 1710-1880	PORT 3 1920-2170	PORT 4 2300-2690
License Band	APT 700, Band Pass CEL 850, Band Pass CEL 900, Band Pass EDD 800, Band Pass LMR 800, Band Pass LMR 900, Band Pass	DCS 1800, Band Pass	IMT 2100, Band Pass	IMT 2600, Band Pass

Electrical Specifications, Band Pass

Frequency Range, MHz	698–960	1710–1880	1920–2170	2300–2690
Insertion Loss, typical, dB	0.1	0.2	0.2	0.15
Return Loss, typical, dB	20	20	20	20
Isolation, minimum, dB	50	50	50	50
Input Power, RMS, maximum, W	300	300	300	200
3rd Order PIM, typical, dBc	-160	-160	-160	-160
3rd Order PIM Test Method	Two +43 dBm carriers	Two +43 dBm carriers	Two +43 dBm carriers	Two +43 dBm carriers

Block Diagram

E16V90P35



Mechanical Specifications

Wind Speed, maximum 216 km/h (134 mph)

Environmental Specifications

Operating Temperature -40 °C to +65 °C (-40 °F to +149 °F)

Relative Humidity 15%–100%

Corrosion Test Method IEC 60068-2-11, 30 days

Ingress Protection Test Method IEC 60529:2001, IP67

Vibration Test Method IEC 60068-2-6

Packaging and Weights

Included Mounting hardware

Weight, net 5 kg | 11.023 lb