

UDX1926Q-N10 | E11F03P81



Ultra Compact Quad-pack Diplexer PCS/AWS+WCS+BRS, DC AWS/WCS /BRS, NEX10 Connector

- Quad configuration, 4x4 MIMO ready
- Ideal for small cell applications
- BTS-to-feeder and feeder-to-antenna application
- DC/AISG pass on 1695-1780/2110-2700 MHz
- Industry leading PIM performance

Product Classification

Product Type Diplexer

General Specifications

Color Gray

Common Port Label Common

Modularity 4-Quad

RF Connector Interface NEX10 Female

RF Connector Interface Body Style Long neck

Dimensions

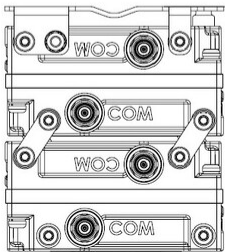
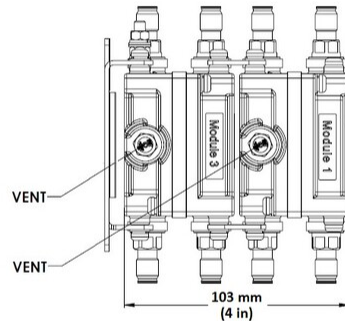
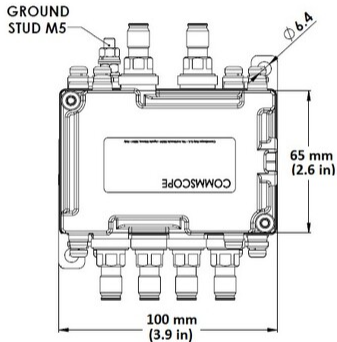
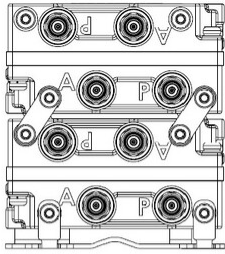
Height 65 mm | 2.559 in

Width 100 mm | 3.937 in

Depth 103 mm | 4.055 in

Outline Drawing

UDX1926Q-N10 | E11F03P81



Electrical Specifications

Impedance	50 ohm
License Band, Band Pass	AWS 1700 IMT 2600 PCS 1900 TDD 1900 TDD 2300 TDD 2600 WCS 2300

Electrical Specifications, dc Power/Alarm

dc/AISG Pass-through Method	Factory set
dc/AISG Pass-through Path	Branch 2
dc/AISG Pass-through, combiner	Branch 2
dc/AISG Pass-through, demultiplexer	Branch 2
Lightning Surge Current	5 kA
Lightning Surge Current Waveform	8/20 waveform

UDX1926Q-N10 | E11F03P81

Voltage 10–30 Vdc

Electrical Specifications, AISG

AISG Carrier 2.176 MHz ± 100 ppm

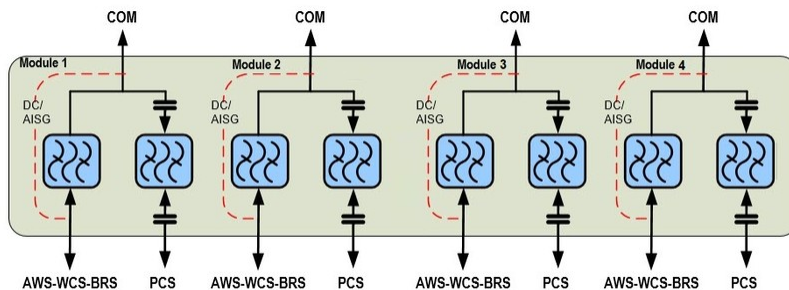
Electrical Specifications

Sub-module	1 2 3 4	1 2 3 4
Branch	1	2
Port Designation	PCS	AWS-WCS-BRS
License Band	PCS 1900, Band Pass	WCS 2300, Band Pass AWS 1700, Band Pass TDD 2300, Band Pass TDD 2600, Band Pass IMT 2600, Band Pass

Electrical Specifications, Band Pass

Frequency Range, MHz	1850-1995	1695-1780 2110-2700
Insertion Loss, typical, dB	0.25	0.18
Total Group Delay, maximum, ns	13	10
Return Loss, typical, dB	22	22
Isolation, minimum, dB	35	35
Input Power, RMS, maximum, W	100	100
Input Power, PEP, maximum, W	1500	1500
3rd Order PIM, maximum, dBc	-155	-155
3rd Order PIM Test Method	2 x 20 W CW tones	2 x 20 W CW tones

Block Diagram



Material Specifications

Finish Painted

UDX1926Q-N10 | E11F03P81

Environmental Specifications

Operating Temperature	-40 °C to +65 °C (-40 °F to +149 °F)
Relative Humidity	Up to 100%
Ingress Protection Test Method	IEC 60529:2001, IP67

Packaging and Weights

Included	Mounting hardware
Mounting Hardware Weight	0.1 kg 0.22 lb
Weight, without mounting hardware	1.4 kg 3.086 lb