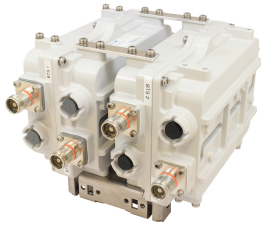


WCS-IMFQ-AMT-43 | E15V87P73



Quad WCS IMF for Aeronautical Mobile Telemetry Band Co-Location, 4.3-10

- New 4.3-10 connectors for improved PIM performance and size reduction
- DC/AISG passing capability from BTS port to ANT port
- Convertible mounting brackets

OBSOLETE

This product was discontinued on: **May 1, 2020**

Replaced By:

SIMFQ-WCS-AMT-R40 E14V00P19 Compact Quad WCS IMF for Aeronautical Mobile Telemetry Band Co-Location, 4.3-10

Product Classification

Product Type Interference mitigation filter

General Specifications

Modularity 4-Quad

Mounting Pipe Hardware Band clamps (2)

RF Connector Interface 4.3-10 Female

Dimensions

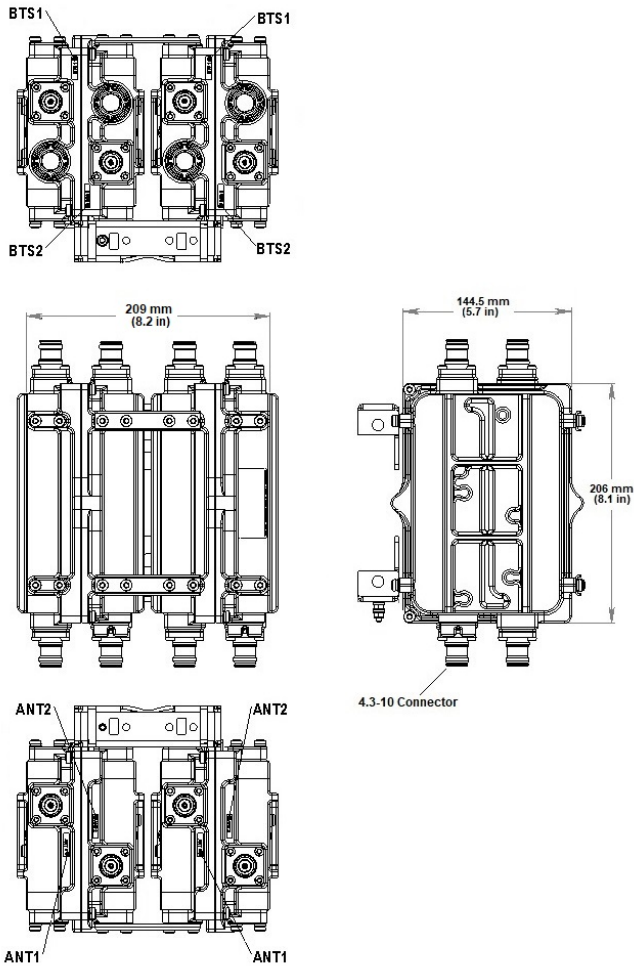
Height 206 mm | 8.11 in

Width 144.5 mm | 5.689 in

Depth 209 mm | 8.228 in

Outline Drawing

WCS-IMFQ-AMT-43 | E15V87P73



Electrical Specifications, dc Power/Alarm

dc/AISG Pass-through Path	Branch 1
Lightning Surge Current	8 kA
Lightning Surge Current Waveform	8/20 waveform

Electrical Specifications

Sub-module	1 2 3 4	1 2 3 4	1 2 3 4	1 2 3 4
Branch	1	1	1	1
License Band	WCS 2300, Band Pass	WCS 2300, Band Pass	WCS 2300, Band Pass	WCS 2300, Band Pass

Electrical Specifications, Band Pass

Frequency Range, MHz	2305–2315	2350–2357	2357–2358.6	2358.6–2358.96
-----------------------------	------------------	------------------	--------------------	-----------------------

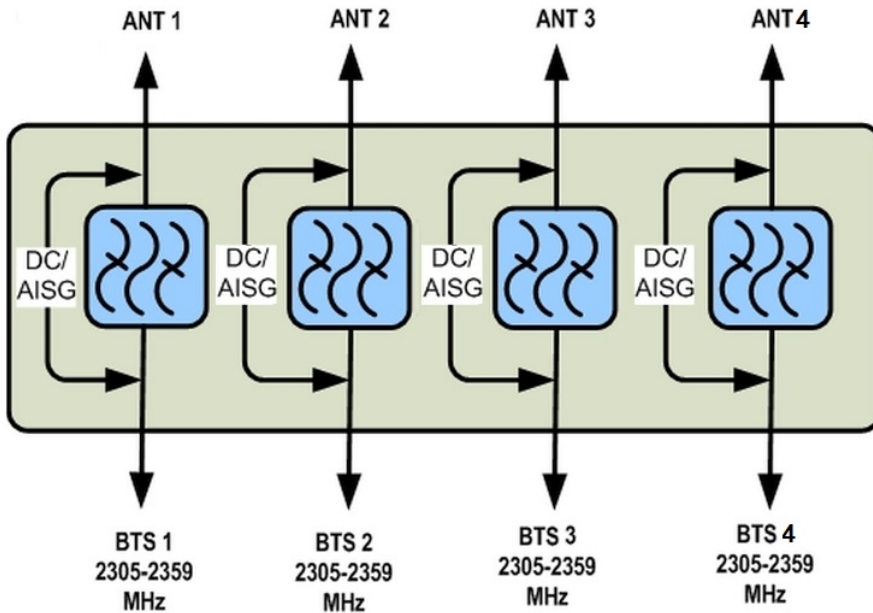
WCS-IMFQ-AMT-43 | E15V87P73

Insertion Loss, maximum, dB	0.3	0.9	1.6	2.2
Insertion Loss, typical, dB	0.2	0.7	1.3	1.8
Total Group Delay, maximum, ns	10	250	250	400
Return Loss, minimum, dB	18	18	16	16
Return Loss, typical, dB	20	20	20	20
Input Power, RMS, maximum, W		100	100	100
Input Power, PEP, maximum, W		1000	1000	1000
Higher Order PIM, minimum, dBc		-153	-153	-153
Higher Order PIM Test Method		2 x 20 W CW tones	2 x 20 W CW tones	2 x 20 W CW tones

Electrical Specifications, Band Reject

Frequency Range, MHz	2360-2395	2360-2395	2360-2395
Attenuation, minimum, dB	30	30	30

Block Diagram



Environmental Specifications

Operating Temperature	-40 °C to +65 °C (-40 °F to +149 °F)
Relative Humidity	Up to 100%
Ingress Protection Test Method	IEC 60529:2001, IP67

WCS-IMFQ-AMT-43 | E15V87P73

Packaging and Weights

Included	Mounting hardware
Mounting Hardware Weight	1 kg 2.205 lb
Weight, without mounting hardware	8.3 kg 18.298 lb

Regulatory Compliance/Certifications

Agency	Classification
CHINA-ROHS	Below maximum concentration value
REACH-SVHC	Compliant as per SVHC revision on www.commscope.com/ProductCompliance
ROHS	Compliant
UK-ROHS	Compliant

