

HFTP Customer premises fiber wall outlet, SC/UPC, two pigtails, two adapters

- Compact fiber wall outlet for use at the final fiber termination point in the customer premises
- Can be wall mounted and mounted on wall boxes with fixation points of 60mm
- Direct termination with field installable connectors
- Laser safe with in-built individual shutters

## Product Classification

|                               |        |
|-------------------------------|--------|
| <b>Regional Availability</b>  | EMEA   |
| <b>Product Type</b>           | Outlet |
| <b>Product Series</b>         | HFTP   |
| <b>Minimum Order Quantity</b> | 300    |

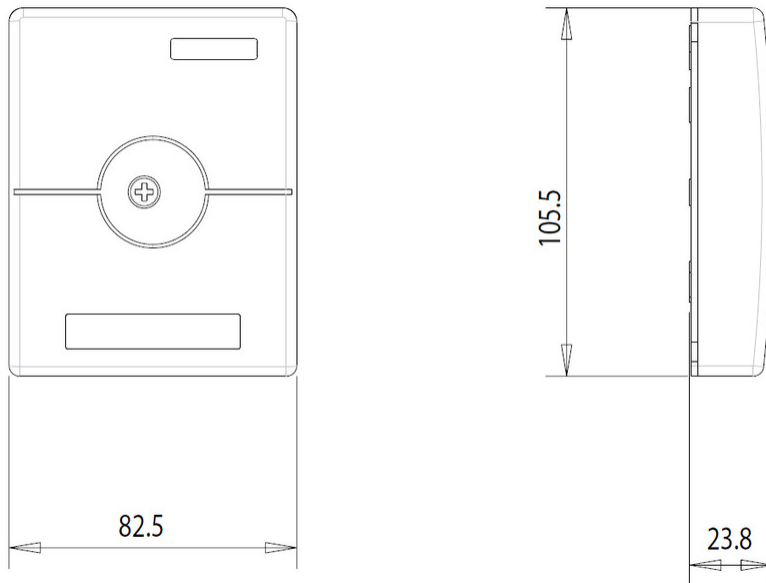
## General Specifications

|                              |            |
|------------------------------|------------|
| <b>Color</b>                 | White      |
| <b>Cover Type</b>            | Screw-on   |
| <b>Interface Type</b>        | SC/UPC     |
| <b>Mounting</b>              | Wall mount |
| <b>Total Ports, quantity</b> | 2          |

## Dimensions

|               |                     |
|---------------|---------------------|
| <b>Height</b> | 105.41 mm   4.15 in |
| <b>Width</b>  | 82.55 mm   3.25 in  |
| <b>Depth</b>  | 23.876 mm   0.94 in |

## Outline Drawing



## Material Specifications

**Material Type** LSZH Thermoplastic

## Optical Specifications

**Fiber Mode** Singlemode

## Environmental Specifications

**Storage Temperature** -30 °C to +60 °C (-22 °F to +140 °F)

**Relative Humidity** Up to 93%, non-condensing

**Environmental Space** Indoor

## Packaging and Weights

**Packaging quantity** 10

## Regulatory Compliance/Certifications

| Agency     | Classification   |
|------------|--|
| CHINA-ROHS | Below maximum concentration value  |
| REACH-SVHC | Compliant as per SVHC revision on <a href="http://www.commscope.com/ProductCompliance">www.commscope.com/ProductCompliance</a> |
| ROHS       | Compliant  |

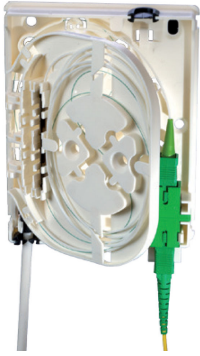


Included Products

- CK7246-000  
HFTP-NO-NN00-E - HFTP Customer premises fiber wall outlet, no adapters, no pigtails, for splicing only

# CK7246-000 | HFTP-NO-NN00-E

---



HFTP Customer premises fiber wall outlet, no adapters, no pigtails, for splicing only

- Compact fiber wall outlet for use at the final fiber termination point in the customer premises
- Can be wall mounted and mounted on wall boxes with fixation points of 60mm
- Direct termination with field installable connectors
- Laser safe with in-built individual shutters

## Product Classification

|                               |        |
|-------------------------------|--------|
| <b>Regional Availability</b>  | EMEA   |
| <b>Product Type</b>           | Outlet |
| <b>Product Series</b>         | HFTP   |
| <b>Minimum Order Quantity</b> | 300    |

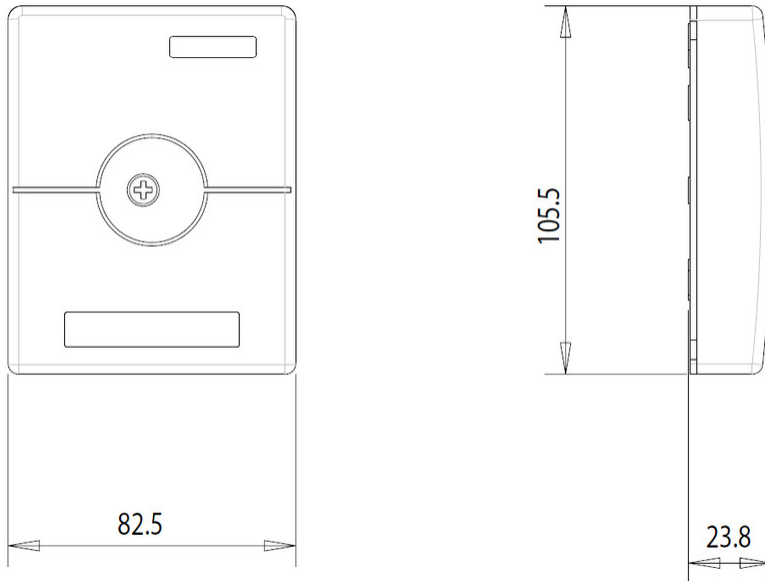
## General Specifications

|                               |            |
|-------------------------------|------------|
| <b>Color</b>                  | White      |
| <b>Cover Type</b>             | Screw-on   |
| <b>Interface Type</b>         | Unloaded   |
| <b>Mounting</b>               | Wall mount |
| <b>Port Capacity, maximum</b> | 4          |
| <b>Total Ports, quantity</b>  | 0          |

## Dimensions

|               |                     |
|---------------|---------------------|
| <b>Height</b> | 105.41 mm   4.15 in |
| <b>Width</b>  | 82.55 mm   3.25 in  |
| <b>Depth</b>  | 23.876 mm   0.94 in |

## Outline Drawing



## Material Specifications

**Material Type** LSZH Thermoplastic

## Optical Specifications

**Fiber Mode** Singlemode

## Environmental Specifications

**Storage Temperature** -30 °C to +60 °C (-22 °F to +140 °F)

**Relative Humidity** Up to 93%, non-condensing

**Environmental Space** Indoor

## Packaging and Weights

**Packaging quantity** 10

## Regulatory Compliance/Certifications

| Agency     | Classification   |
|------------|--|
| CHINA-ROHS | Below maximum concentration value  |
| REACH-SVHC | Compliant as per SVHC revision on <a href="http://www.commscope.com/ProductCompliance">www.commscope.com/ProductCompliance</a> |
| ROHS       | Compliant  |

