



Jack Termination Tool with Lacing Fixture (SLX / SL / KJ / UNJ)

- Terminates all AMP-TWIST, SLX, SL, UNJ, and KJ Series Modular Jacks
- Strips cable, marks foil, terminates and cuts 8 conductors at once
- Maintains twisted pair integrity
- Time and cost saving simplifying lacing process and speeding up the termination
- Lacing fixture assures simple and efficient terminations (lacing fixture used only when terminating SL-style jacks)

Product Classification

| | |
|------------------------------|---|
| Regional Availability | Asia Australia/New Zealand EMEA Latin America North America |
| Portfolio | CommScope® |
| Product Type | Modular jack tooling |

General Specifications

| | |
|--------------------|--|
| Application | For use with AMP-TWIST 7AS SL outlets For use with KJ Series outlets For use with SL Series outlets For use with SLX and AMP-TWIST 6S and 6AS SL outlets For use with UNJ Series outlets |
|--------------------|--|

Dimensions

| | |
|---|--------------------|
| Compatible Cable Diameter, maximum | 7.24 mm 0.285 in |
|---|--------------------|

Environmental Specifications

| | |
|----------------------------|--------|
| Environmental Space | Indoor |
|----------------------------|--------|

Packaging and Weights

| | |
|---------------------------|-------|
| Packaging quantity | 1 |
| Packaging Type | Pouch |

Regulatory Compliance/Certifications

| Agency | Classification |
|---------------|---|
| CHINA-ROHS | Below maximum concentration value |
| REACH-SVHC | Compliant as per SVHC revision on www.commscope.com/ProductCompliance |
| ROHS | Compliant |
| UK-ROHS | Compliant |



Included Products

1673956-6 - Jack Termination Tool Lacing Fixture (SL / KJ /
LF-JTT-180 UNJ)



Jack Termination Tool Lacing Fixture (SL / KJ / UNJ)

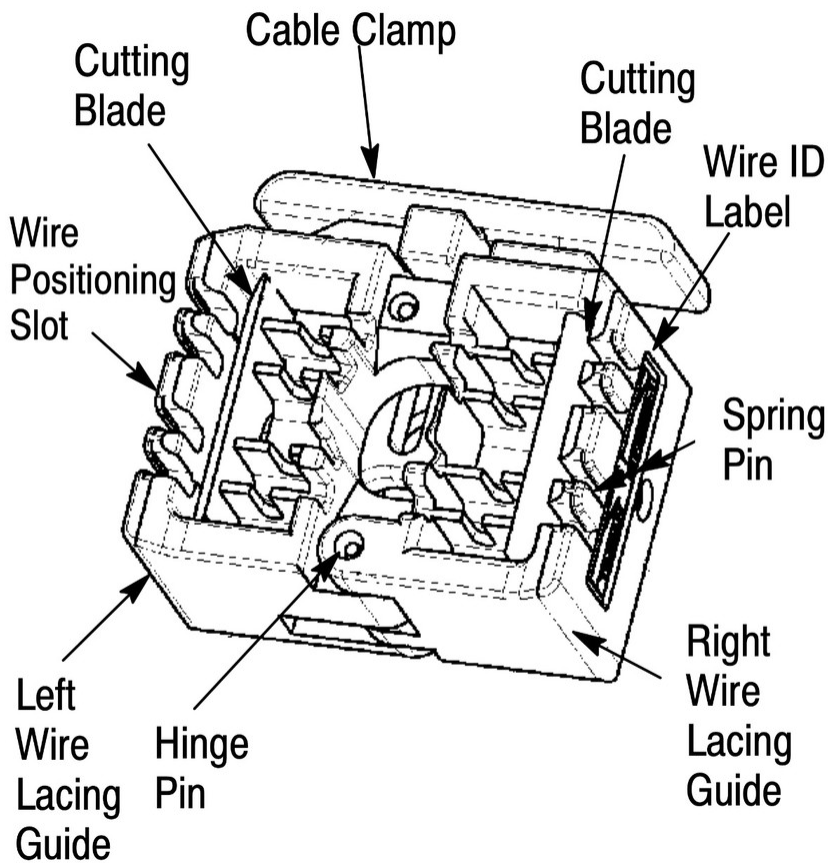
Product Classification

| | |
|------------------------------|---|
| Regional Availability | Asia Australia/New Zealand EMEA Latin America North America |
| Portfolio | CommScope® |
| Product Type | Modular jack tooling |

General Specifications

| | |
|--------------------|--------------------------------|
| Application | For use with SL Series outlets |
|--------------------|--------------------------------|

Outline Drawing



Environmental Specifications

Environmental Space Indoor

Packaging and Weights

Packaging quantity 1

Packaging Type Box | Carton