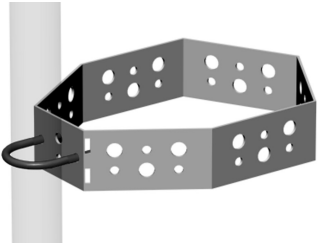


# CS-BL-A

---



Cluster Support Bracket, large version, 6 in to 8 in OD round member attachment

## Product Classification

**Product Type** Cluster Support Bracket

## General Specifications

**Cable Runs, quantity** 18

**Hole, quantity** 18

**Mounting** Cluster support

## Dimensions

**Height** 127 mm | 5 in

**Width** 381 mm | 15 in

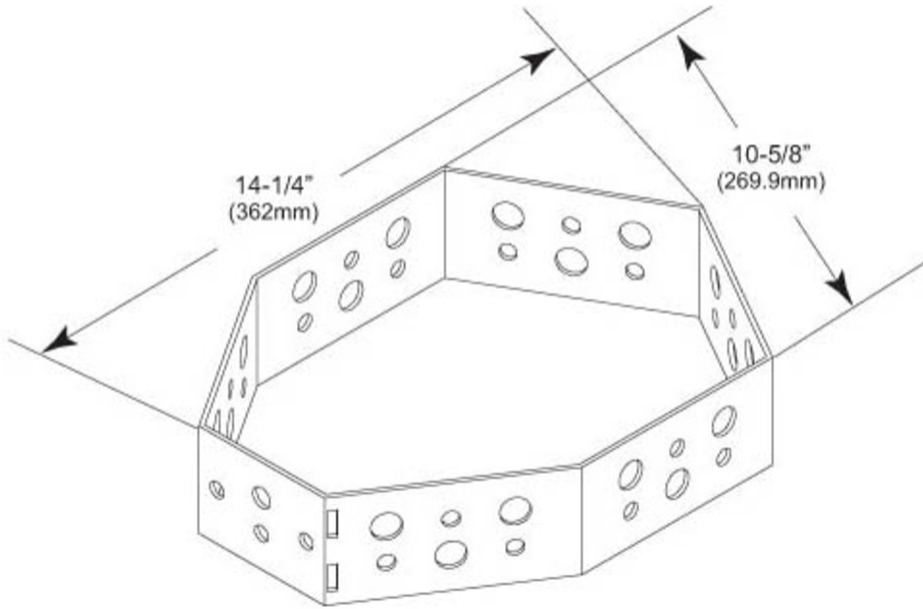
**Length** 279.4 mm | 11 in

**Pipe Outer Diameter** 60.96 mm | 2.4 in

**Hole Size** 3/4 in | 7/16 in

# CS-BL-A

## Outline Drawing



## Material Specifications

**Material Type** Hot dip galvanized steel

## Packaging and Weights

**Included** Brackets  
**Packaging quantity** 1  
**Weight, net** 2.3 kg | 5.071 lb

## Regulatory Compliance/Certifications

Agency	Classification
CHINA-ROHS	Below maximum concentration value
ISO 9001:2015	Designed, manufactured and/or distributed under this quality management system
ROHS	Compliant
UK-ROHS	Compliant



# CS-BL-A

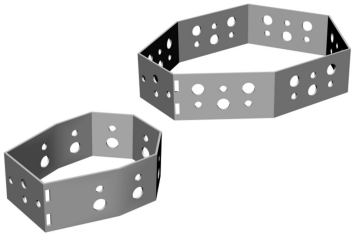
---

## Included Products

- CS-BL – Cluster Support Bracket, large version, angle member attachment

# CS-BL

---



Cluster Support Bracket, large version, angle member attachment

## Product Classification

**Product Type** Cluster Support Bracket

## General Specifications

**Cable Runs, quantity** 18

**Hole, quantity** 18

**Mounting** Cluster support

## Dimensions

**Height** 127 mm | 5 in

**Width** 381 mm | 15 in

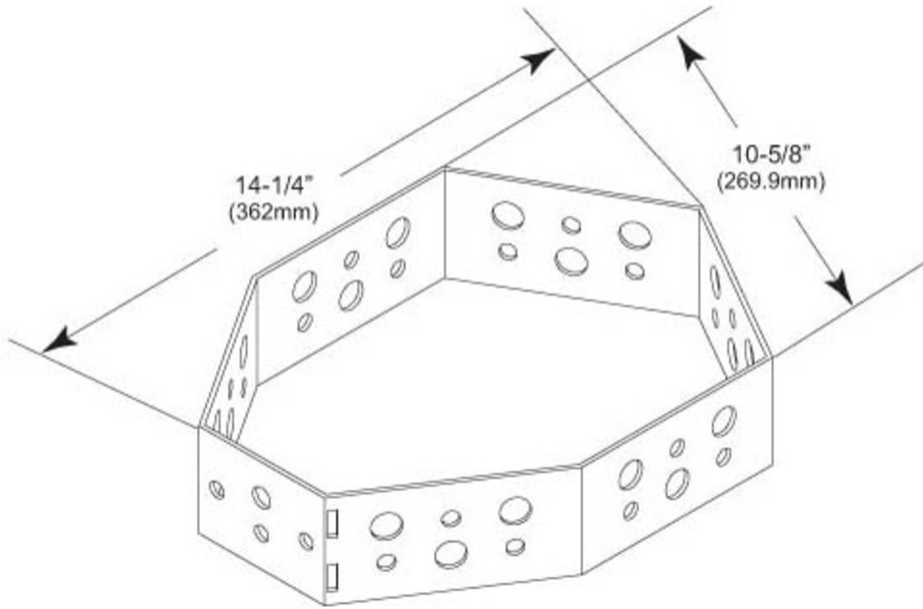
**Length** 279.4 mm | 11 in

**Pipe Outer Diameter** 60.96 mm | 2.4 in

**Hole Size** 3/4 in | 7/16 in

# CS-BL

## Outline Drawing



## Material Specifications

**Material Type** Hot dip galvanized steel

## Packaging and Weights

**Included** Brackets  
**Packaging quantity** 1  
**Weight, net** 1.8 kg | 3.968 lb

## Regulatory Compliance/Certifications

Agency	Classification
CHINA-ROHS	Above maximum concentration value
ISO 9001:2015	Designed, manufactured and/or distributed under this quality management system
ROHS	Compliant/Exempted
UK-ROHS	Compliant/Exempted



