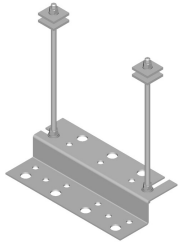


# MT-357-12

---



Trapeze Kit, 12 in wide, one rung

## Product Classification

**Product Type** Trapeze kit

## General Specifications

**Application** Waveguide bridge kit, 12 in

**Cable Runs, quantity** 7

**Hole, quantity** 7

**Mounting** Waveguide bridge channel

**Rungs, quantity** 1

## Dimensions

**Height** 50.8 mm | 2 in

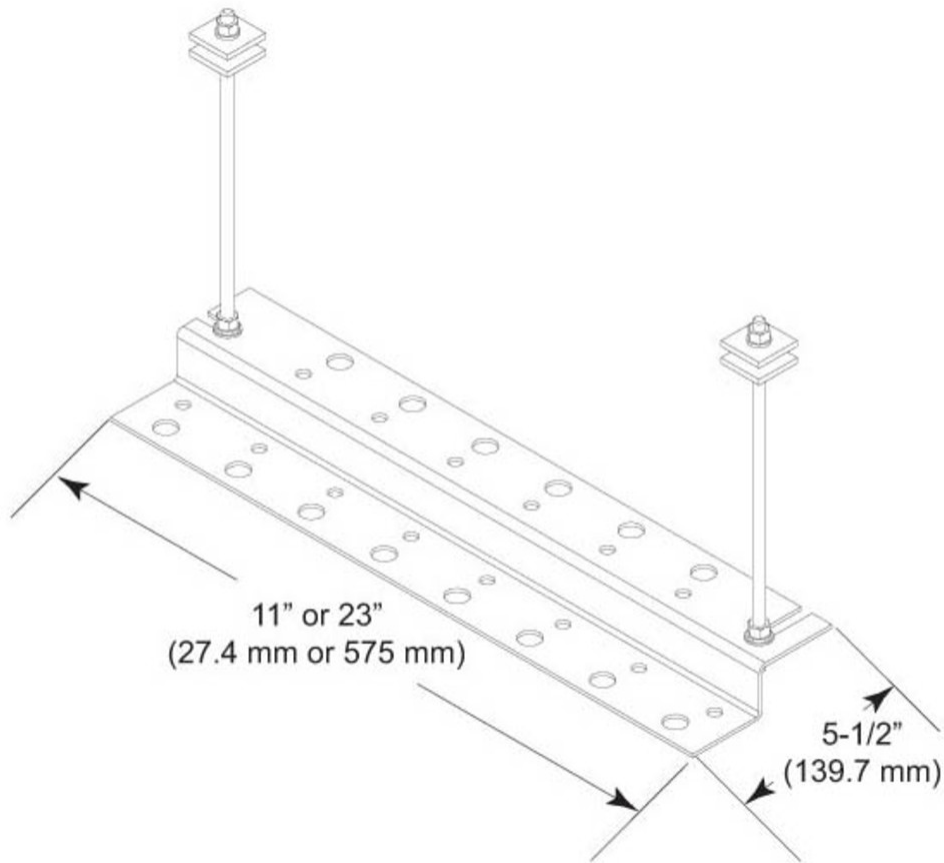
**Width** 355.6 mm | 14 in

**Length** 152.4 mm | 6 in

**Hole Size** 3/4 in | 7/16 in

# MT-357-12

## Outline Drawing



## Material Specifications

**Material Type** Hot dip galvanized steel

## Packaging and Weights

**Included** Hardware | Threaded rod | Z-bracket

**Packaging quantity** 1

**Weight, net** 1.8 kg | 3.968 lb

## Regulatory Compliance/Certifications

Agency	Classification
CHINA-ROHS	Above maximum concentration value

# MT-357-12

---

ISO 9001:2015	Designed, manufactured and/or distributed under this quality management system
ROHS	Compliant/Exempted
UK-ROHS	Compliant/Exempted



## Included Products

- ZB-H4 – Horizontal Z-bracket, 11 in, for seven coaxial cable runs