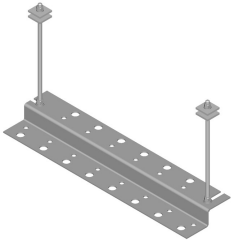


MT-357-24



Trapeze Kit, 24 in wide, one rung

Product Classification

Product Type Trapeze kit

General Specifications

Application Waveguide bridge kit, 24 in

Cable Runs, quantity 14

Hole, quantity 14

Mounting Waveguide bridge channel

Rungs, quantity 1

Dimensions

Height 50.8 mm | 2 in

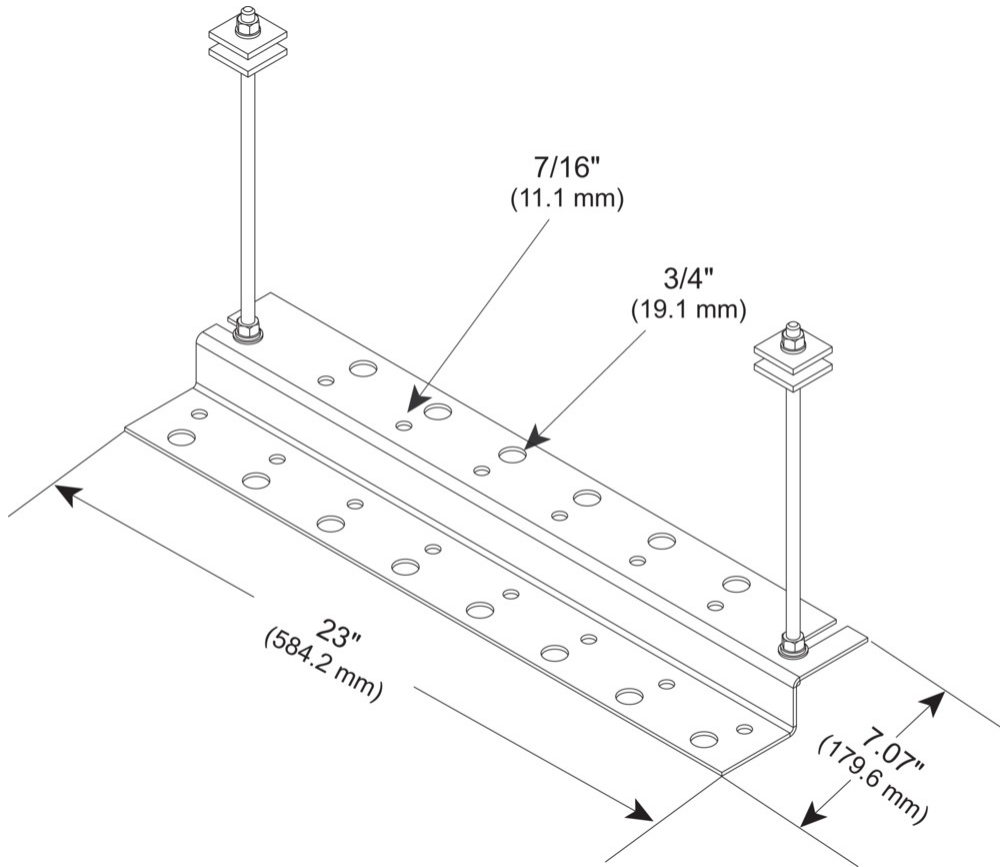
Width 660.4 mm | 26 in

Length 254 mm | 10 in

Hole Size 3/4 in | 7/16 in

MT-357-24

Outline Drawing



Material Specifications

Material Type Hot dip galvanized steel

Packaging and Weights

Included Hardware | Threaded rod | Z-bracket

Packaging quantity 1

Weight, net 3.2 kg | 7.055 lb

Regulatory Compliance/Certifications

Agency

CHINA-ROHS

ISO 9001:2015

REACH-SVHC

Classification

Below maximum concentration value

Designed, manufactured and/or distributed under this quality management system

Compliant as per SVHC revision on www.commscope.com/ProductCompliance

MT-357-24

ROHS Compliant

UK-ROHS Compliant



Included Products

- ZB-H8 – Horizontal Z-bracket, 23 in, for 14 coaxial cable runs