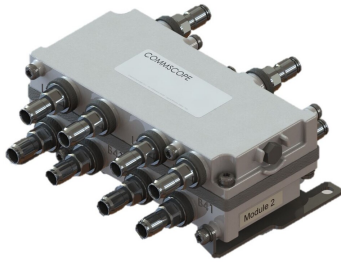


# UDX1726Q-N10 | E11F03P87

---



Ultra-Compact Quad Diplexer PCS-AWS/BRS, DC/AISG on PCS-AWS, NEX10 Connectors

- Quad configuration, 4x4 MIMO ready
- Ideal for small cell applications
- dc/AISG pass-through on low frequency ports
- Industry leading PIM performance
- Miniature NEX10™ series connector for superior PIM and compact size

## Product Classification

**Product Type** Diplexer

## General Specifications

**Color** Gray

**Common Port Label** Common

**Modularity** 4-Quad

**RF Connector Interface** NEX10 Female

**RF Connector Interface Body Style** Long neck

## Dimensions

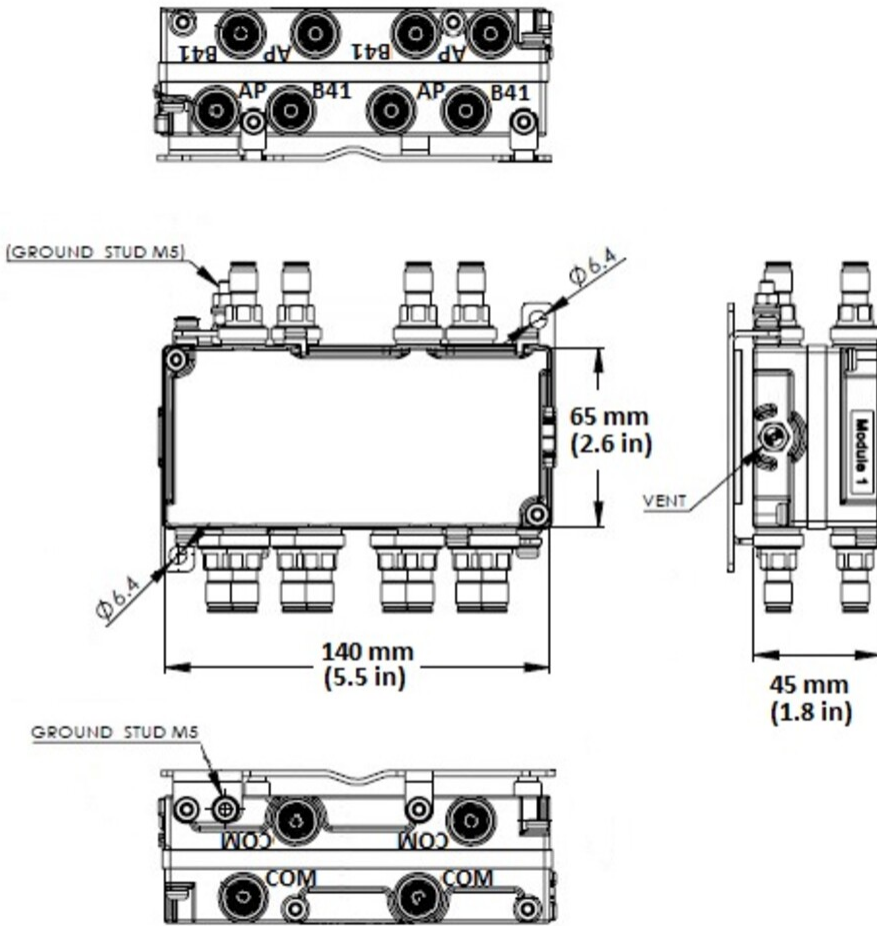
**Height** 65 mm | 2.559 in

**Width** 140 mm | 5.512 in

**Depth** 46 mm | 1.811 in

## Outline Drawing

# UDX1726Q-N10 | E11F03P87



## Electrical Specifications

<b>Impedance</b>	50 ohm
<b>License Band, Band Pass</b>	AWS 1700   AWS 2000   DCS 1800   IMT 2100   IMT 2600   PCS 1900   TDD 2600

## Electrical Specifications, dc Power/Alarm

<b>dc/AISG Pass-through Method</b>	Factory set
<b>dc/AISG Pass-through Path</b>	Branch 1
<b>dc/AISG Pass-through, combiner</b>	Branch 1
<b>dc/AISG Pass-through, demultiplexer</b>	Branch 1
<b>Lightning Surge Current</b>	5 kA
<b>Lightning Surge Current Waveform</b>	8/20 waveform

# UDX1726Q-N10 | E11F03P87

**Voltage** 10–30 Vdc

## Electrical Specifications, AISG

**AISG Carrier** 2.176 MHz ± 100 ppm

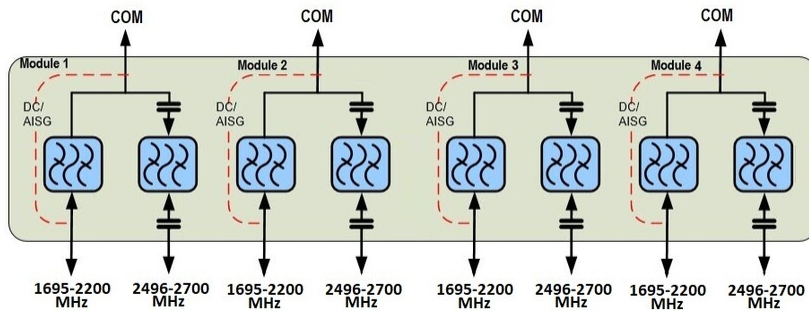
## Electrical Specifications

Sub-module	1   2   3   4	1   2   3   4
<b>Branch</b>	1	2
<b>Port Designation</b>	PCS-AWS	BRS (B41)
<b>License Band</b>	PCS 1900, Band Pass AWS 1700, Band Pass AWS 2000, Band Pass DCS 1800, Band Pass IMT 2100, Band Pass	TDD 2600, Band Pass IMT 2600, Band Pass

## Electrical Specifications, Band Pass

Frequency Range, MHz	1695–2200	2496–2700
<b>Insertion Loss, typical, dB</b>	0.1	0.15
<b>Total Group Delay, maximum, ns</b>	15	15
<b>Return Loss, minimum, dB</b>	20	20
<b>Isolation, minimum, dB</b>	35	35
<b>Input Power, RMS, maximum, W</b>	70	70
<b>Input Power, PEP, maximum, W</b>	1500	1500
<b>3rd Order PIM, maximum, dBc</b>	-161	-161
<b>3rd Order PIM Test Method</b>	Two +43 dBm carriers	Two +43 dBm carriers

## Block Diagram



## Material Specifications

**Finish** Painted

# UDX1726Q-N10 | E11F03P87

---

## Environmental Specifications

<b>Operating Temperature</b>	-40 °C to +65 °C (-40 °F to +149 °F)
<b>Relative Humidity</b>	Up to 100%
<b>Ingress Protection Test Method</b>	IEC 60529:2001, IP67

## Packaging and Weights

<b>Included</b>	Mounting hardware
<b>Mounting Hardware Weight</b>	0.13 kg   0.287 lb
<b>Volume</b>	0.42 L
<b>Weight, without mounting hardware</b>	1.17 kg   2.579 lb