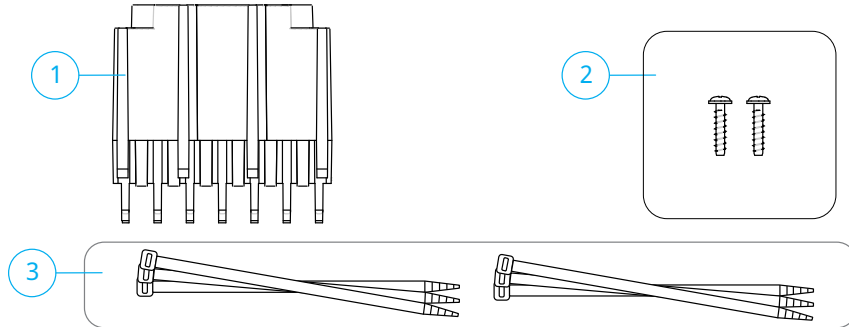


## NOVUX™ Fiber Optic System NVX-CR-EX-NN-CC1: External cable guidance bracket

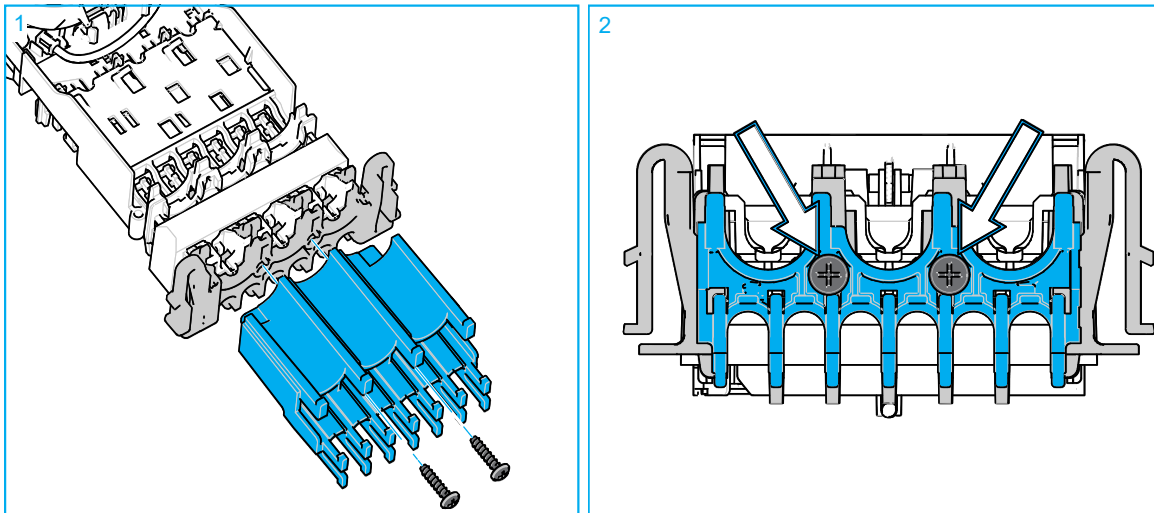
Applicable for CC 100

### 1 Kit contents



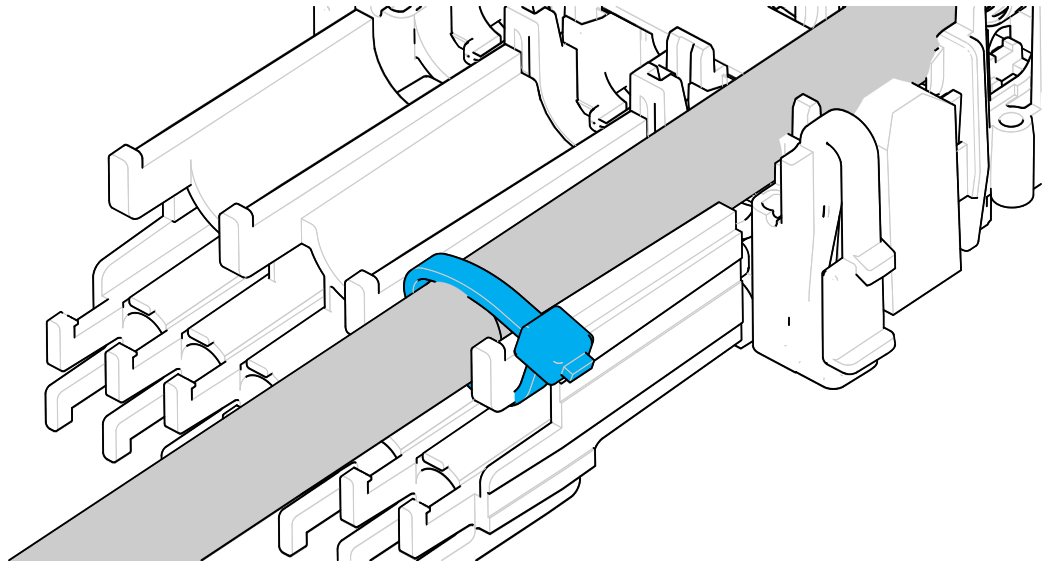
N°	Description	Qty
1	External cable guidance bracket	1
2	Ejot screws with pozidriv profile	2
3	Cable ties	3x6

### 2 Install external cable guidance bracket



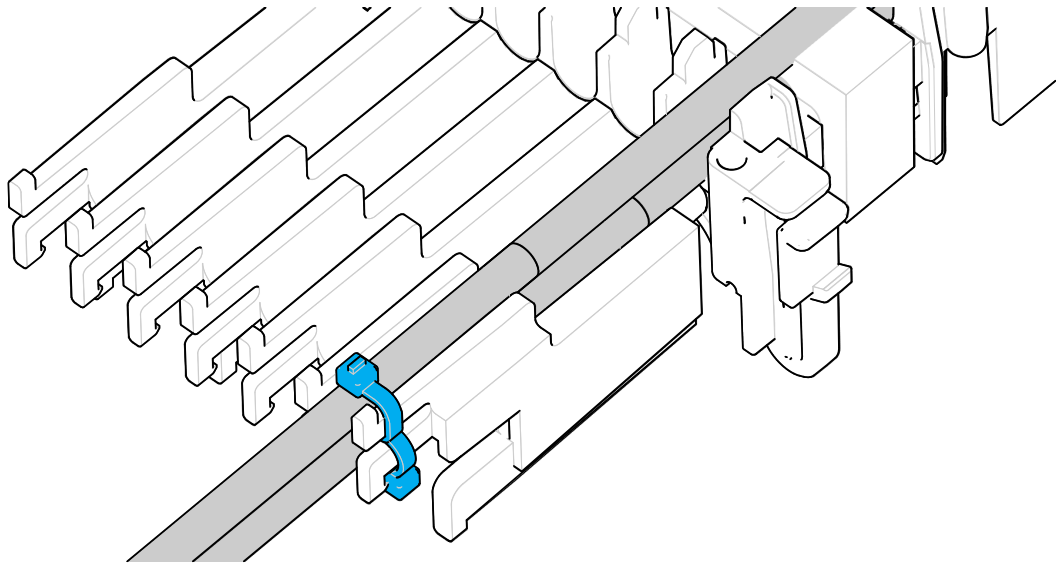
1 Secure the external cable guidance bracket onto the organizer of the CC 100/40 with the two screws.

### 3 Secure feeder cable to external cable guidance bracket




Secure the feeder cables to the external cable guidance bracket using a cable tie.

### 4 Secure drop cable to external cable guidance bracket



Secure the drop cables to the external cable guidance bracket using cable ties.

 **Note:** If only one cable is present, use only one L-shape of the bracket.