

FACT FRAME

INSTALLATION INSTRUCTION: Fanout Fixation Kit

COMMSCOPE®

FACT FRAME FANOUT FIXATION KIT

Contents

1.	General product information	2	5.	Fanout Retainer	5
2.	Warnings and caution	2	6.	Routing Fanouts.....	7
3.	Kit Content.....	3	7.	Trade-marks	8
4.	Mounting Fanout Fixation Plate	4	8.	Contact Information.....	8

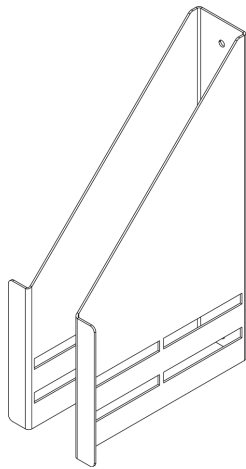
1. General product information

The FACT fanout plate (FOPL) is designed to fixate up to thirty two incoming fanout cables in the cable side duct. The kit includes one fanout fixation plate with fasteners and fixation components for eight fanout fixations.

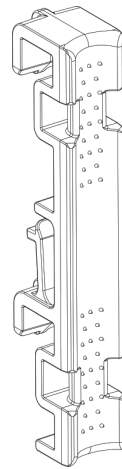
2. Warnings and caution

- Fiber optic cables may be damaged if bent or curved to a radius that is less than the recommended minimum bend radius. Always observe the recommended bend radius limit when installing fiber optic cables and patch cords.
- Exposure to laser radiation can seriously damage the retina of the eye. Do not look into the ends of any optical fiber. Do not assume the laser power is turned off or that the fiber is disconnected at the other end.

3. Kit Content



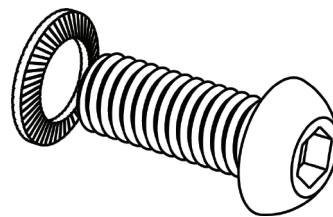
1x Fanout Fixation Plate



8x Fanout Retainer

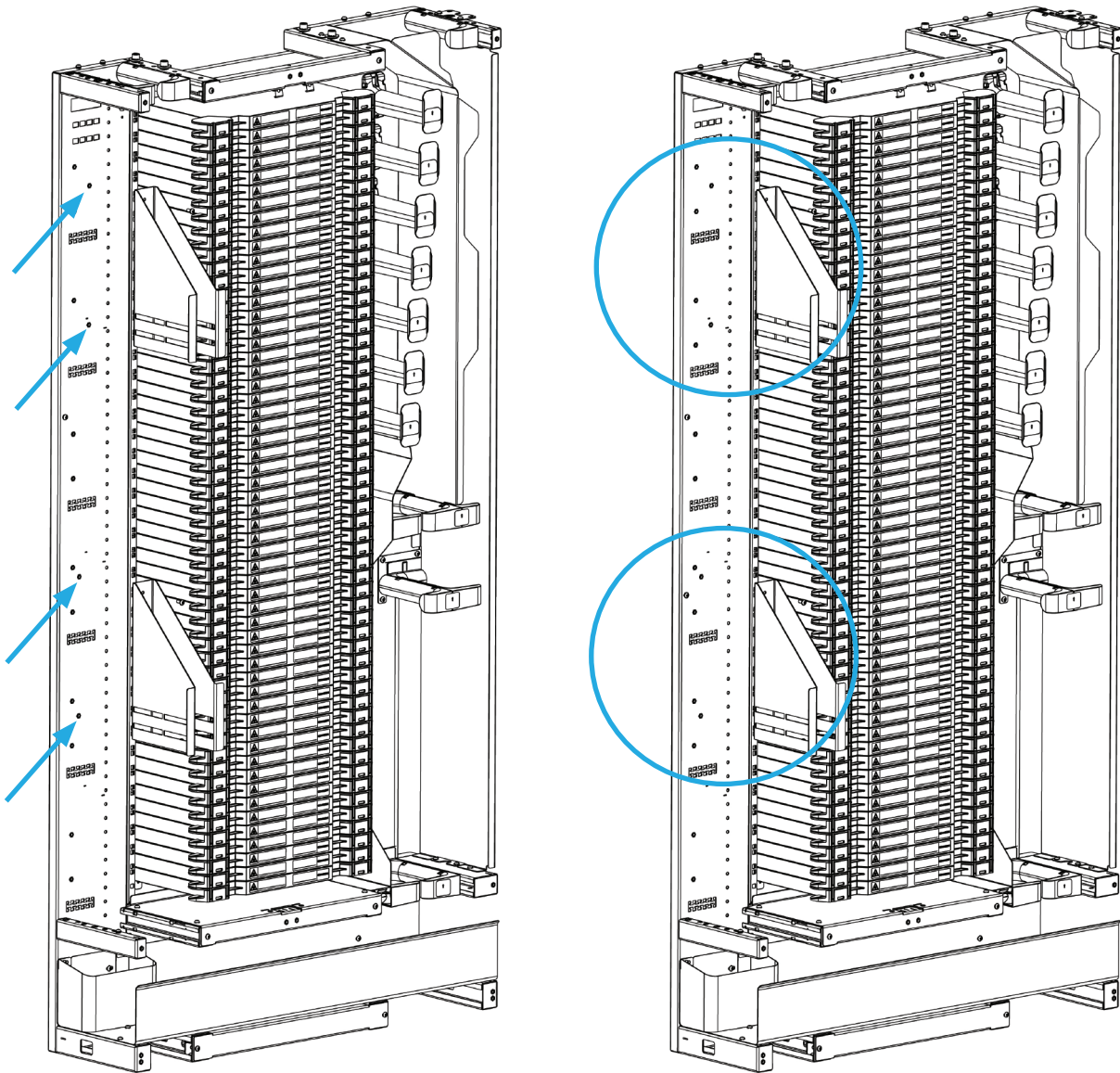


16x Cable Tie

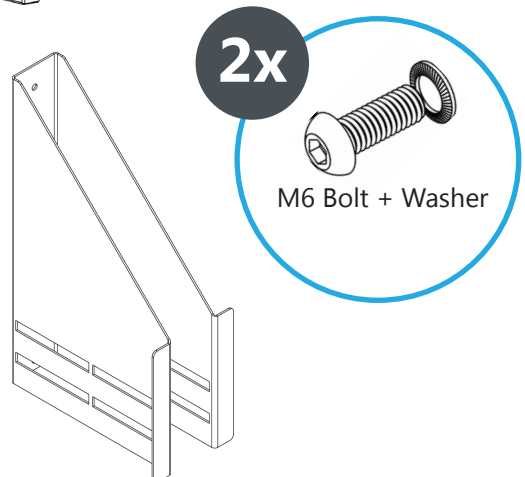


2x M6 Bolt+Washer

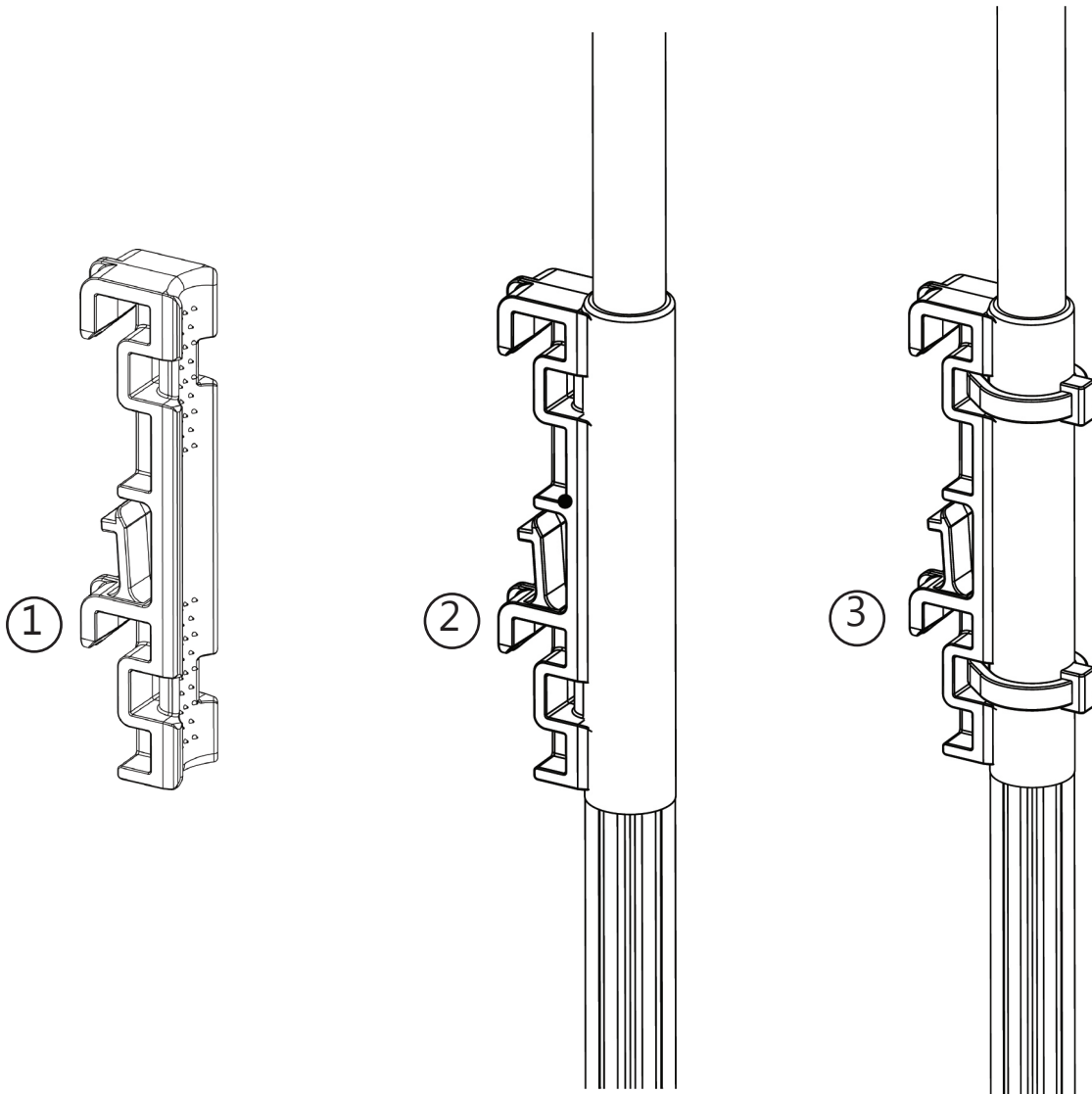
4. Mounting Fanout Fixation Plate - Step 1



Step 1: Mount the fanout plate on the predetermined position on the “fixed side” of the FACT Frame (indicated with an arrow). Two fanout plates can be mounted per frame. Use two M6 screws + washers / plate.

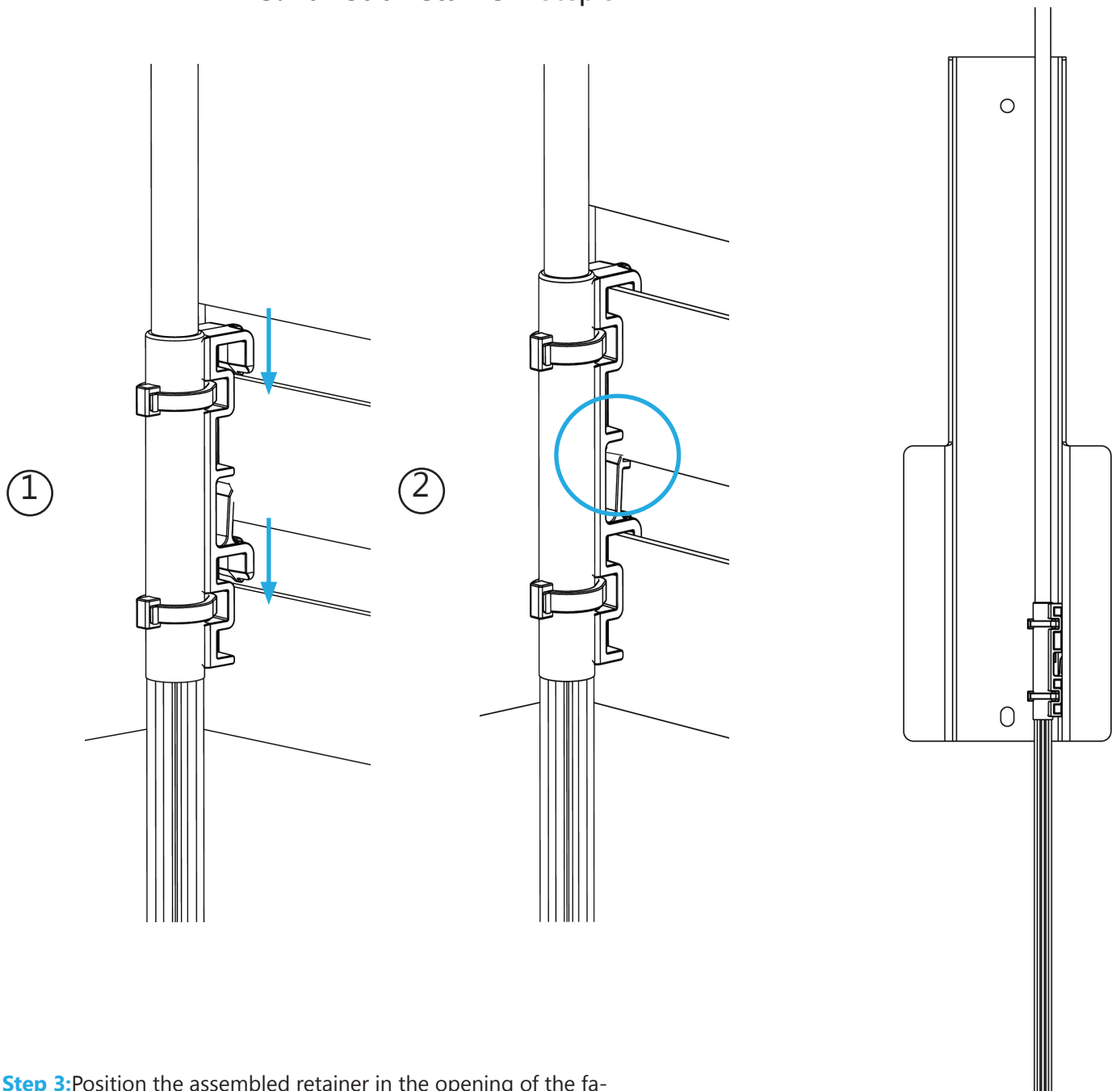


5. Fanout Retainer - Step 2



Step 2: Take the fanout retainer and the fanout. Position the fanout on the retainer as illustrated. Apply two cable ties to secure the fanout on the bracket.

5. Fanout Retainer - Step 3



Step 3: Position the assembled retainer in the opening of the fanout plate. Slide it down until you hear a “click”. Start in the back. There can be up to 32 assembled brackets / plate.

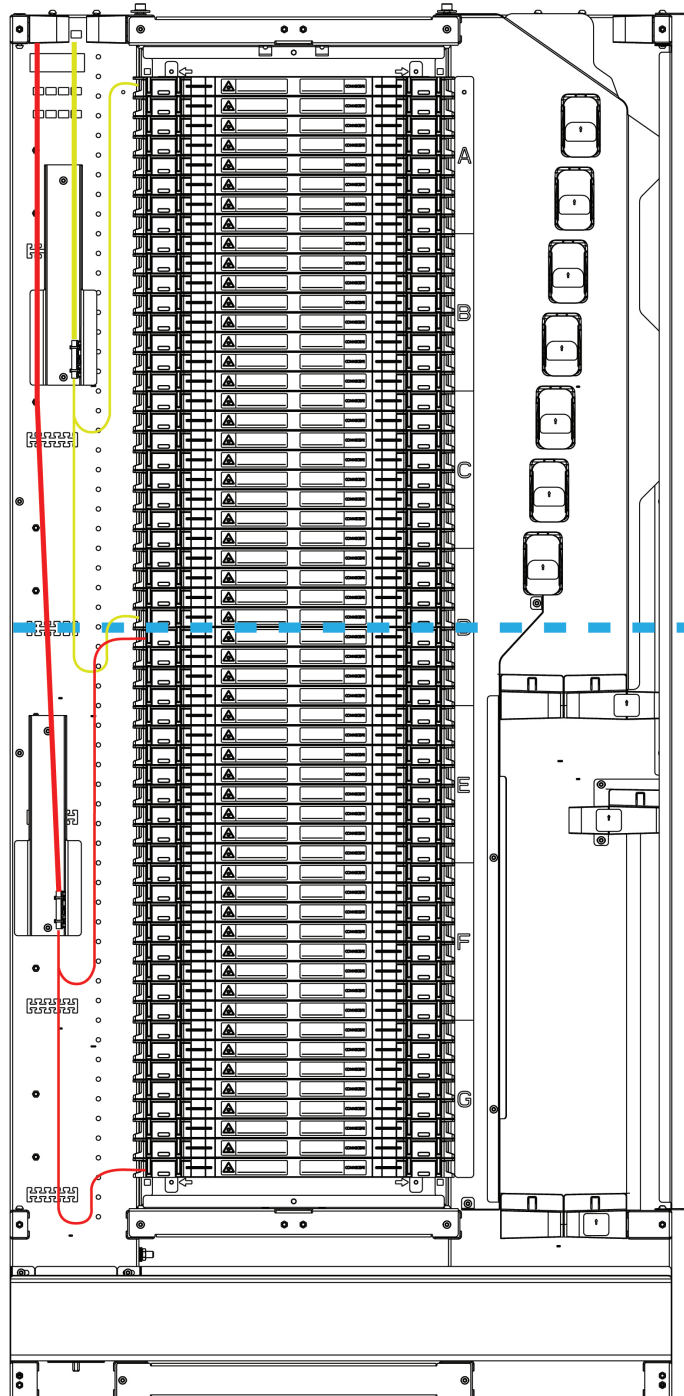
6. Routing Fanouts - Step 4

Step 4: Route the cables as illustrated.

The fanouts that are terminated on the top fanout plate should be routed to the top 28 Fact elements.

The fanouts that are terminated on the bottom fanout plate should be routed to the bottom 28 Fact elements.

Repeat the process for all the fanouts that have to be installed.



7. Trade-marks:

All trademarks identified by ® or ™ are registered trademarks or trademarks, respectively, of CommScope, Inc. This document is for planning purposes only and is not intended to modify or supplement any specifications or warranties relating to CommScope products or services. CommScope is committed to the highest standards of business integrity and environmental sustainability, with a number of CommScope's facilities across the globe certified in accordance with international standards, including ISO9001, TL 9000, and ISO 14001. Further information regarding CommScope's commitment can be found at:
www.commscope.com/About-Us/Corporate-Responsibilityand-Sustainability.

8. Contact Information:

Visit our website or contact your local CommScope representative for more information.

For technical assistance, customer service, or to report any missing/damaged parts, visit us at:

<http://www.commscope.com/SupportCenter>

This product is covered by one or more U.S. patents or their foreign equivalents. For patents, see

www.commscope.com/ProductPatent/ProductPatent.aspx

© 2019 Commscope,
Inc. All Rights Reserved