

# FACT FRAME

INSTALLATION INSTRUCTION: Fiber Guide Fixation Kit

COMMSCOPE®

## FACT FRAME FIBER GUIDE FIXATION KIT

### Contents

1.	General product information .....	2	5.	Bracket Mounting.....	4
2.	Warnings and caution .....	2	6.	Fiber Guide Mounting.....	5
3.	Kit Content .....	2	7.	Trade-marks .....	8
4.	Mounting Points Location.....	3	8.	Contact Information.....	8

### 1. General product information

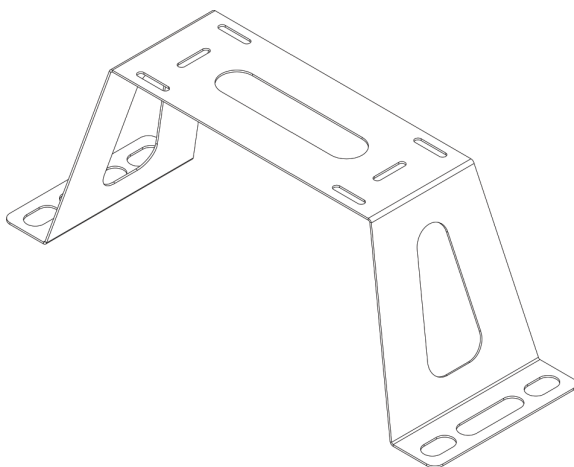
The FACT fiber guide fixation kit is designed to flawlessly use CommScope’s Fiber Guide System (FGS) with the FACT ODF system.

The kit includes the support bracket and fasteners.

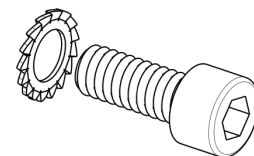
### 2. Warnings and caution

- Fiber optic cables may be damaged if bent or curved to a radius that is less than the recommended minimum bend radius. Always observe the recommended bend radius limit when installing fiber optic cables and patch cords.
- Exposure to laser radiation can seriously damage the retina of the eye. Do not look into the ends of any optical fiber. Do not assume the laser power is turned off or that the fiber is disconnected at the other end.

### 3. Kit content

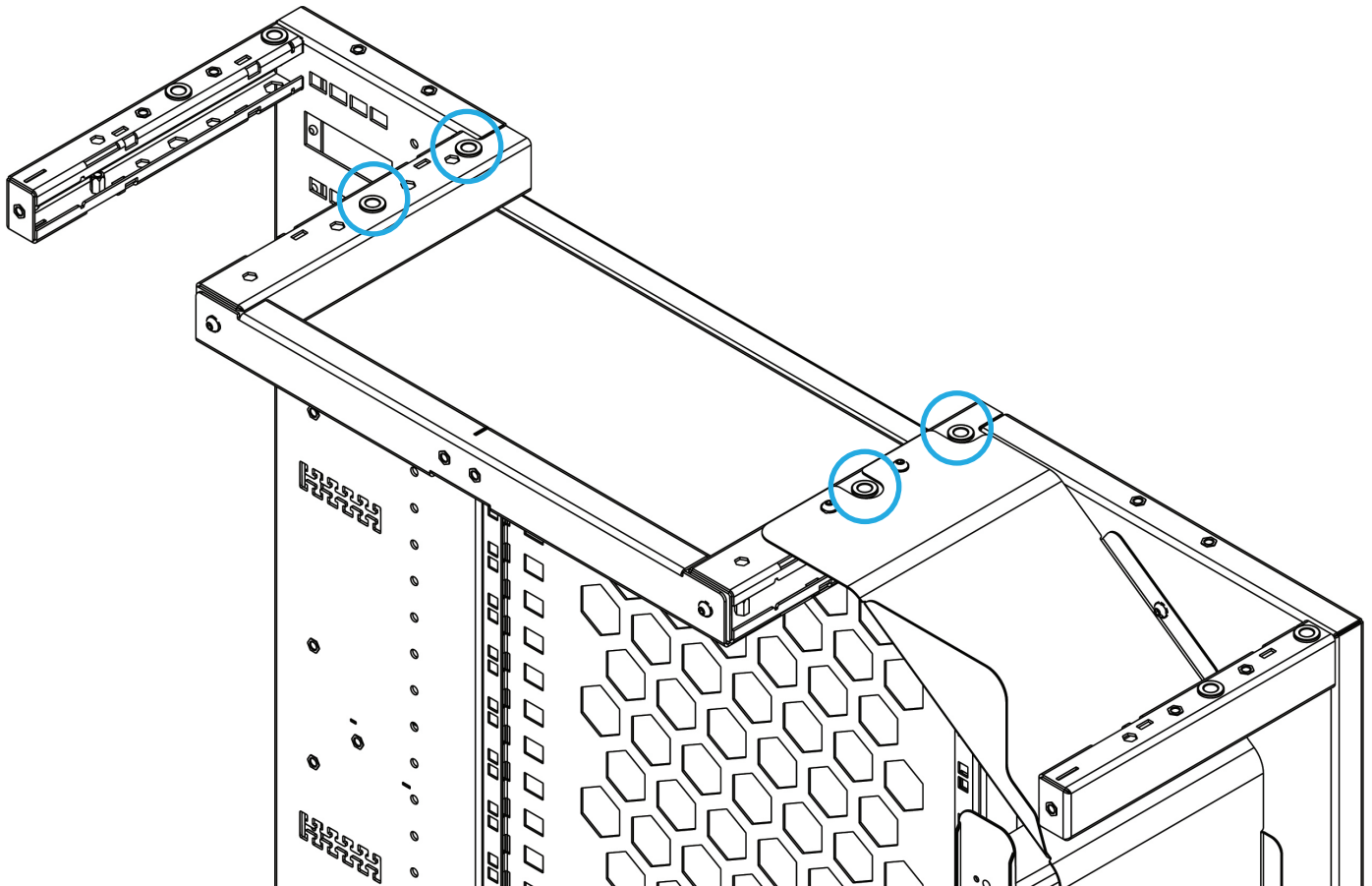


**1x** Bracket Fiber Guide



**4x** M10x25 + Serrated Washer

## 4. Mounting Points Location - Step 1

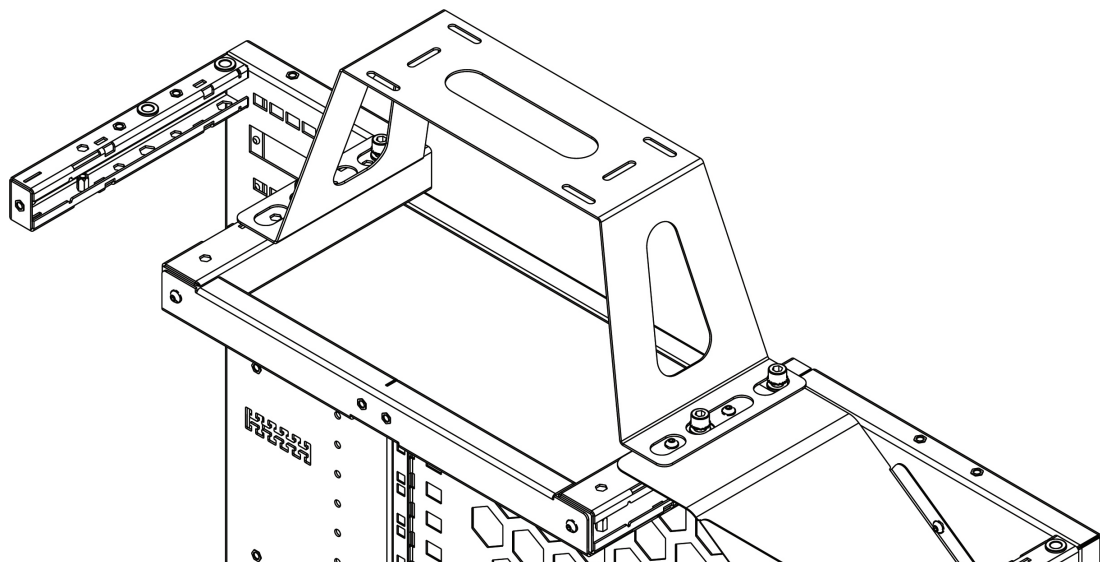
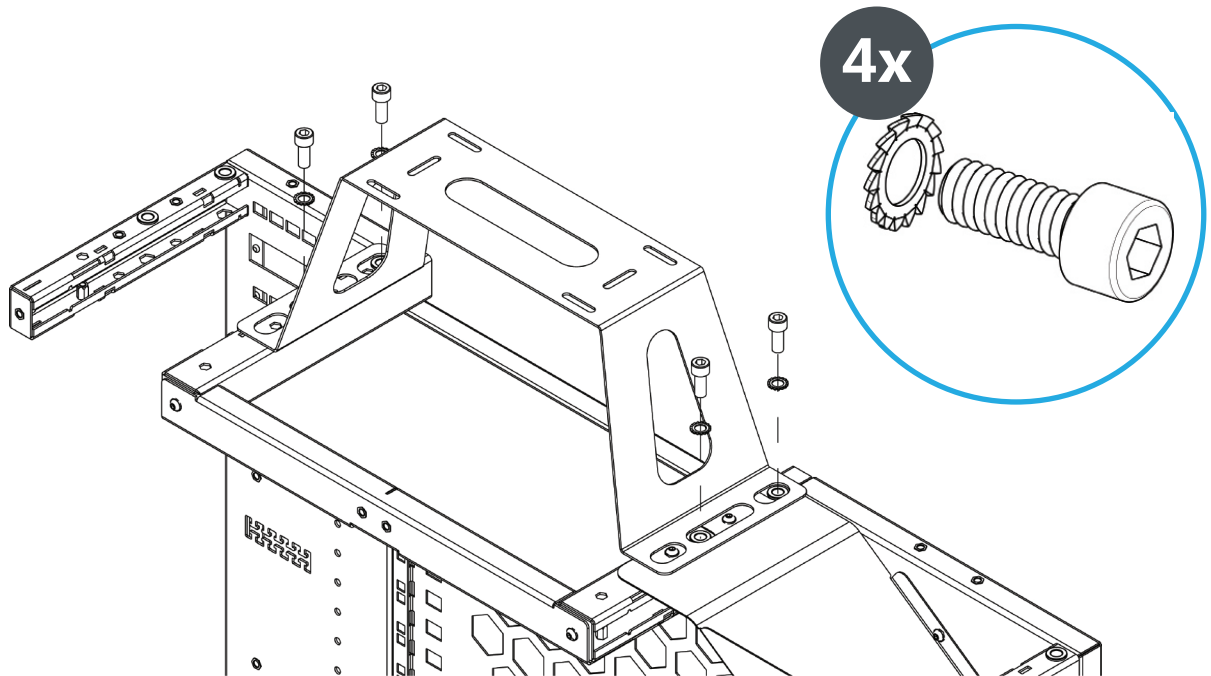


### Step1:

There are several mounting points, as there are several configurations possible with the FACT Frame product range. This illustration shows a RHP Cross Connect.

The mounting points are on top of the Frame (circled).

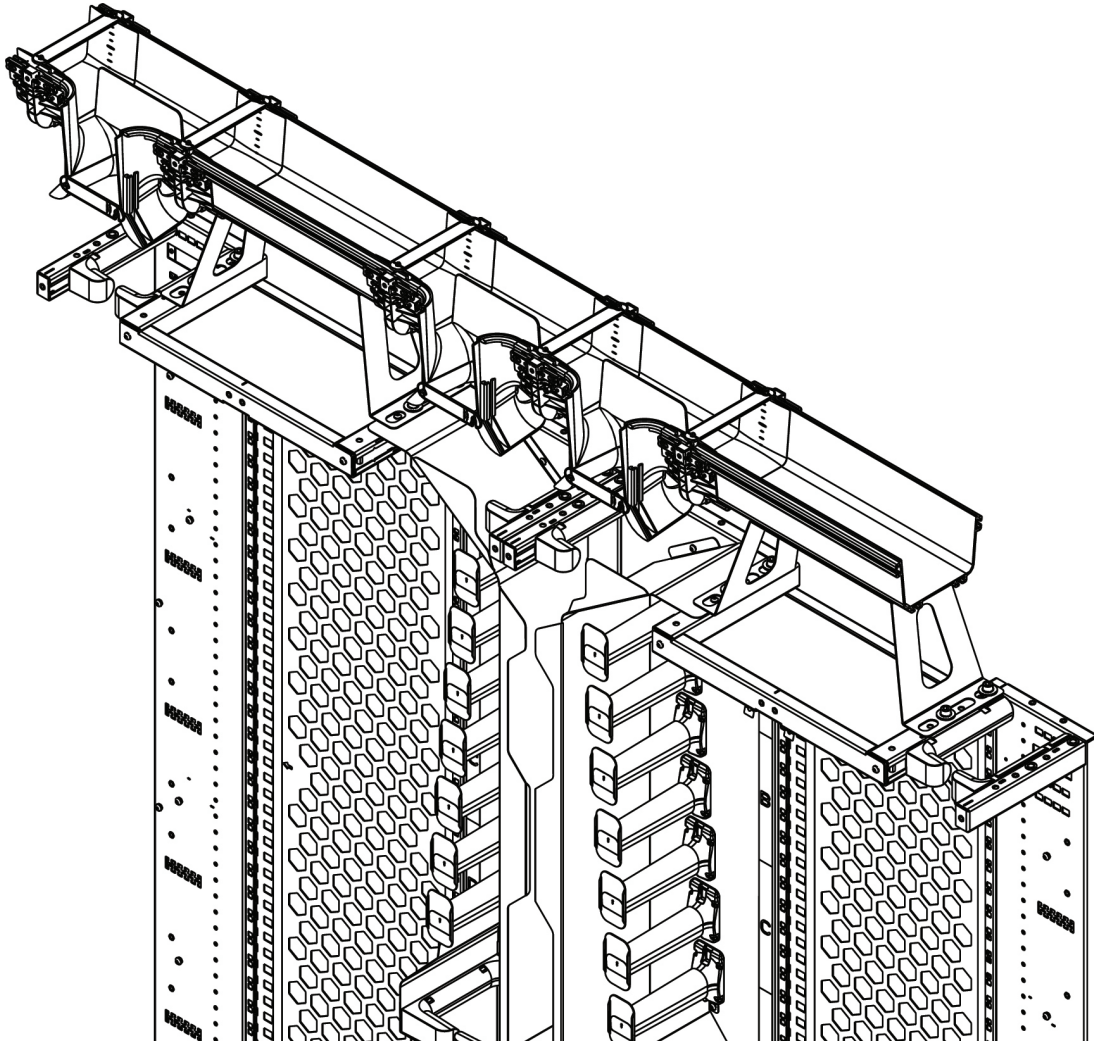
## 5. Bracket Mounting - Step 2



### Step 2:

Position the bracket on the mounting points as illustrated. Use four M10 bolts + serrated washers to secure the bracket.

## 6. Fiber Guide Mounting - Step 3



### Step 3:

The fiber guide system can be assembled on this bracket. There are several configurations possible. Please consult the installation instruction of the fiber guide for correct installation.

This illustration shows a RHP + LHP Cross Connect configuration with fiber guide (in progress).





## 7. Trade-marks:

All trademarks identified by ® or ™ are registered trademarks or trademarks, respectively, of CommScope, Inc. This document is for planning purposes only and is not intended to modify or supplement any specifications or warranties relating to CommScope products or services. CommScope is committed to the highest standards of business integrity and environmental sustainability, with a number of CommScope's facilities across the globe certified in accordance with international standards, including ISO9001, TL 9000, and ISO 14001. Further information regarding CommScope's commitment can be found at:  
[www.commscope.com/About-Us/Corporate-Responsibilityand-Sustainability](http://www.commscope.com/About-Us/Corporate-Responsibilityand-Sustainability).

## 8. Contact Information:

Visit our website or contact your local CommScope representative for more information.

For technical assistance, customer service, or to report any missing/damaged parts, visit us at:  
<http://www.commscope.com/SupportCenter>

This product is covered by one or more U.S. patents or their foreign equivalents. For patents, see  
[www.commscope.com/ProductPatent/ProductPatent.aspx](http://www.commscope.com/ProductPatent/ProductPatent.aspx)

© 2019 Commscope,  
Inc. All Rights Reserved