



FST Flexible Service Terminal, 12 Port, 12 Full-size hardened Adapters at drop side, 1 HMFOC Stub (Pinned/Jack) at feeder side, black, 1 ft/0.305 m

- Flexible Service Terminals incorporate hardened connector technology that is designed to withstand the rugged outside plant environment
- Hardened connectors are factory-terminated and environmentally sealed for use in optical drop cable deployments
- Flexible structure plus very small branching unit, allowing installation in constrained spaces
- Output cables are staggered, optimizing distributed space consumption and minimizing cable kinking

## Product Classification

<b>Regional Availability</b>	Asia   EMEA   Latin America   North America
<b>Product Type</b>	Access terminal, without splitter/tap
<b>Product Series</b>	FST-T

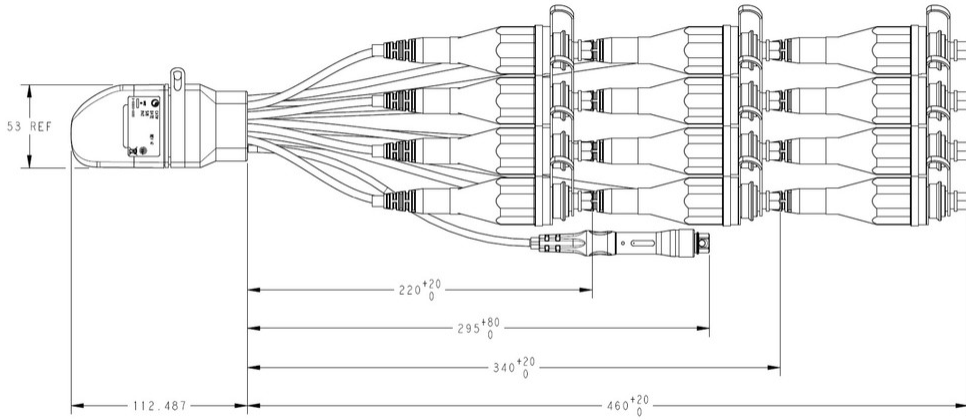
## General Specifications

<b>Cable Type</b>	Dielectric - Flat - Loose Tube
<b>Cable, quantity</b>	13
<b>Distribution Type</b>	12 ports
<b>Enclosure Color</b>	Black
<b>Mounting</b>	Handhole   Pedestal
<b>Port Type</b>	Hardened full-size SC/APC
<b>Port, quantity</b>	12
<b>Splitter, quantity</b>	0
<b>Stub Type</b>	Hardened multi-fiber (HMFOC) jack, pinned

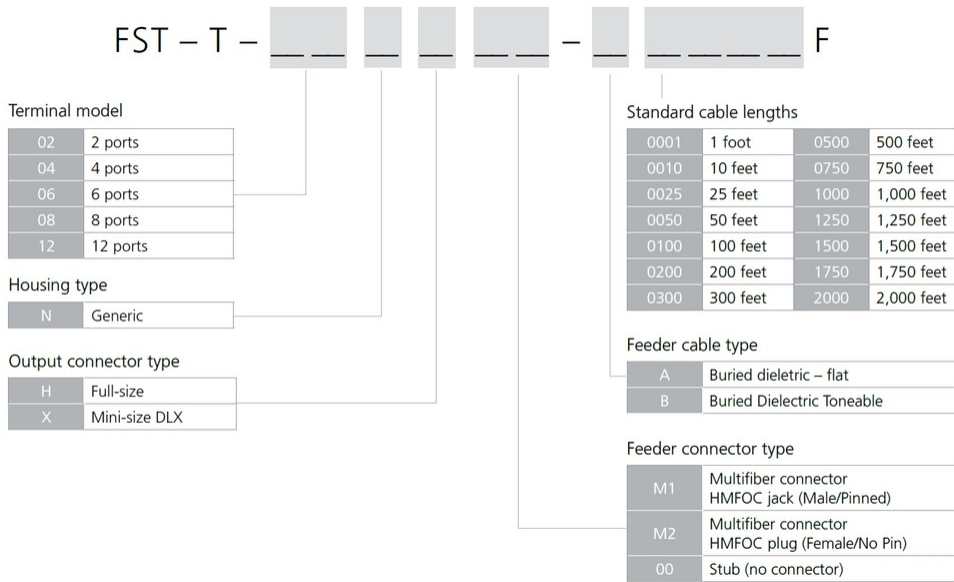
## Dimensions

<b>Height</b>	112.5 mm   4.429 in
<b>Width</b>	53 mm   2.087 in
<b>Depth</b>	31 mm   1.22 in
<b>Cable Length, stub</b>	1 ft (0.3 m)
<b>Cable Outer Diameter</b>	6.0 mm (0.23 in)

## Dimension Drawing



## Ordering Tree



## Material Specifications

**Enclosure Material Type**

Engineered plastic

## Optical Specifications

**Fiber Type**

G.657.A1/A2

# 300100117114 | FST-T-12NHM1-A0001F

<b>Operating Wavelength Range</b>	1260 – 1635 nm
<b>Attenuation Cable Coefficient, maximum</b>	0.60 dB/km @ 1310 nm   0.60 dB/km @ 1550 nm
<b>Attenuation Terminal Connectors, maximum</b>	0.4 dB
<b>Insertion Loss, Stub Connector, maximum</b>	0.65 dB
<b>Return Loss, Connector, minimum</b>	65 dB

## Environmental Specifications

<b>Operating Temperature</b>	-40 °C to +70 °C (-40 °F to +158 °F)
<b>Relative Humidity</b>	5%–100%, condensing
<b>Environmental Space</b>	Above ground   Below ground   Buried
<b>Qualification Standards</b>	IEC 60529, IP68 + 3 m waterhead   Telcordia GR-3120-CORE   Telcordia GR-3152-CORE   Telcordia GR-326-CORE
<b>UV Resistance</b>	UV stabilized

## Packaging and Weights

<b>Packaging quantity</b>	1
<b>Packaging Type</b>	Box   Carton
<b>Weight, without cable</b>	0.68 kg   1.499 lb

## Regulatory Compliance/Certifications

<b>Agency</b>	<b>Classification</b>
CHINA-ROHS	Below maximum concentration value
ISO 9001:2015	Designed, manufactured and/or distributed under this quality management system
REACH-SVHC	Compliant as per SVHC revision on <a href="http://www.commscope.com/ProductCompliance">www.commscope.com/ProductCompliance</a>
ROHS	Compliant
UK-ROHS	Compliant

