

## 288/432 FDH RESKIN KITS

### Contents

1	<b>General product information</b> .....	1	5	<b>Remove damaged cabinet</b> .....	2
2	<b>General safety precautions</b> .....	1	6	<b>Install new cabinet shell</b> .....	4
3	<b>Kit Content</b> .....	1	7	<b>Trademarks and patents</b> .....	6
4	<b>Product images</b> .....	1	8	<b>Contact information</b> .....	6

### 1 General product information

This installation instruction document describes the re-skin operation of 288 and 432 cabinets. Images in this manual are for reference only.

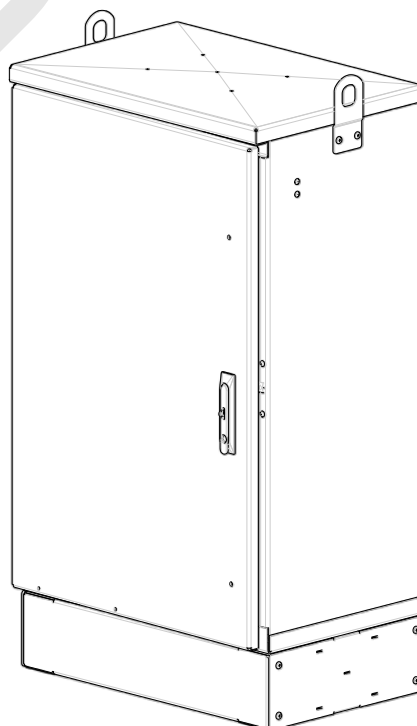
### 2 General safety precautions

- 2.1 Fiber optic cables may be damaged if bent or curved to a radius that is less than the recommended minimum bend radius. Always observe the recommended bend radius limit when installing fiber optic cables and patch cords.
- 2.2 Exposure to laser radiation can seriously damage the retina of the eye. Do not look into the ends of any optical fiber. Do not assume the laser power is turned off or that the fiber is disconnected at the other end.

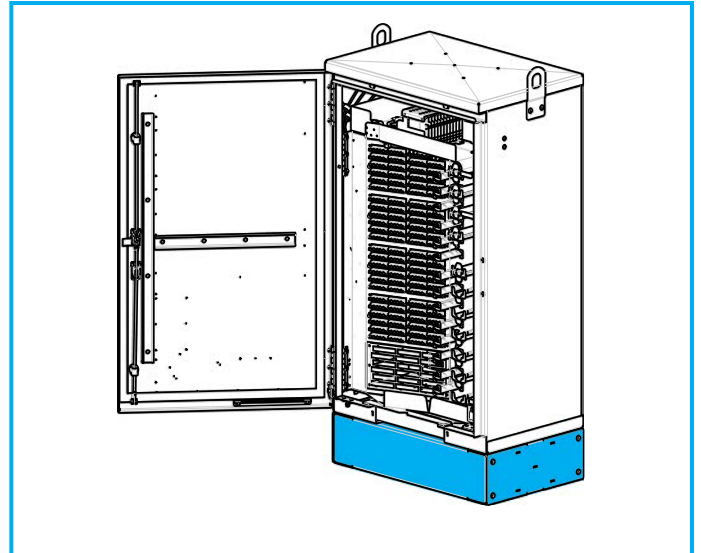
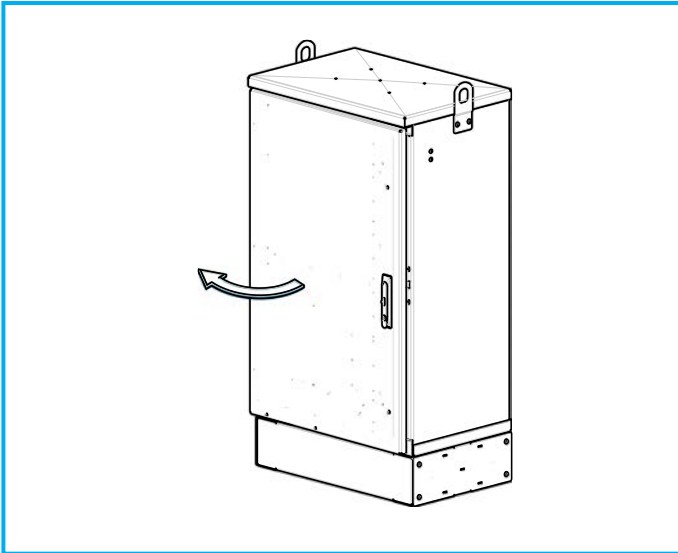
### 3 Kit Content

- Cabinet shell
- Back clip plate
- Side clip plate
- Grounding plate and cover
- Isolation Pad
- Designation labels

### 4 Product images



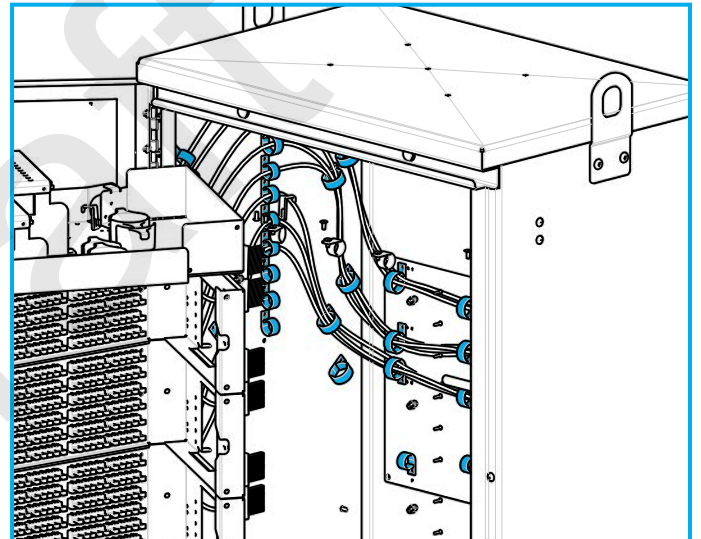
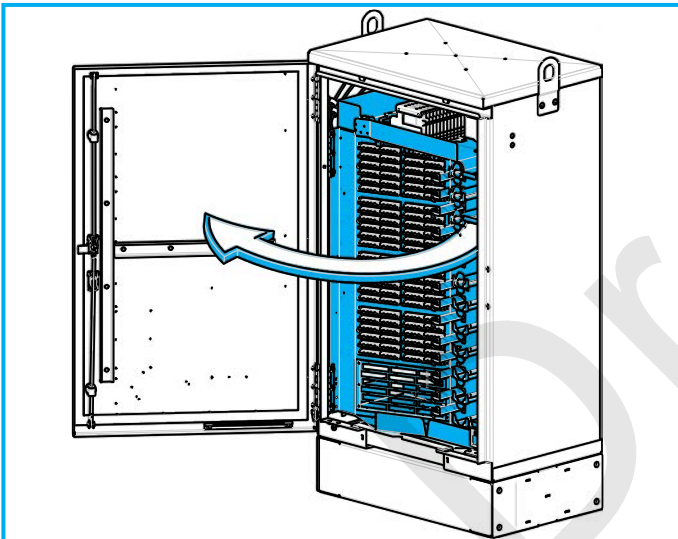
## 5 Remove damaged cabinet



5.1 Open the door.

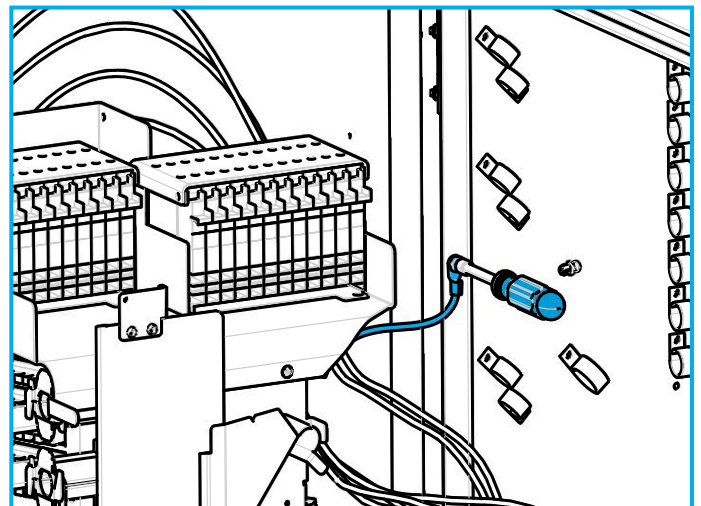
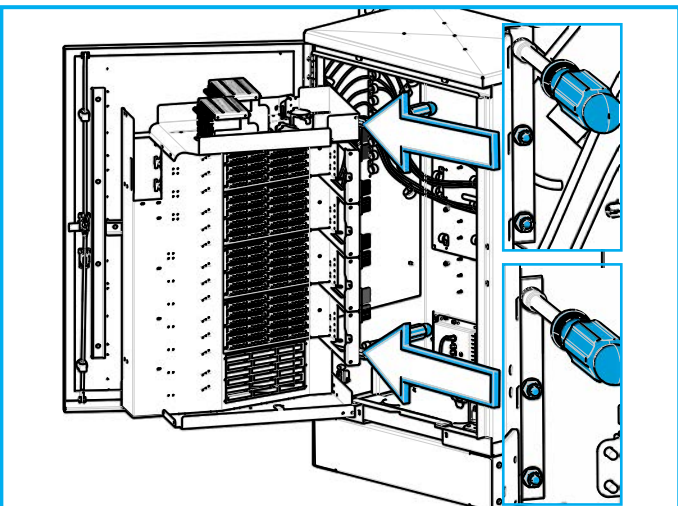
5.2 Check the condition of cabinet swing frame and riser.

**Note:** If the riser is damaged a new riser will need to be ordered separately.



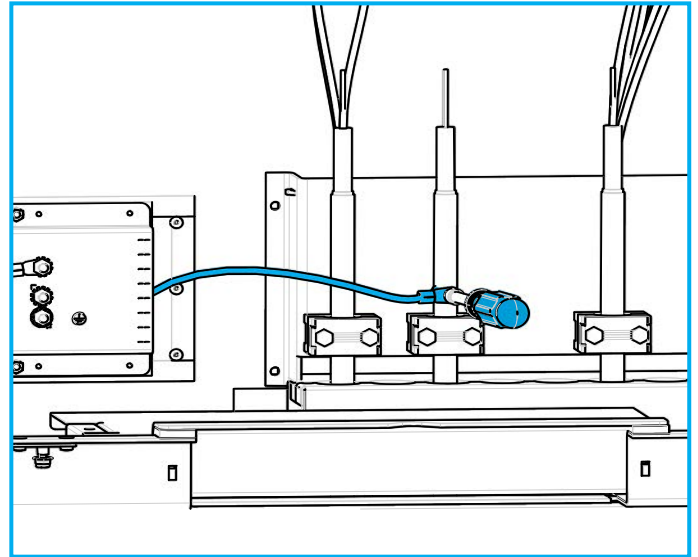
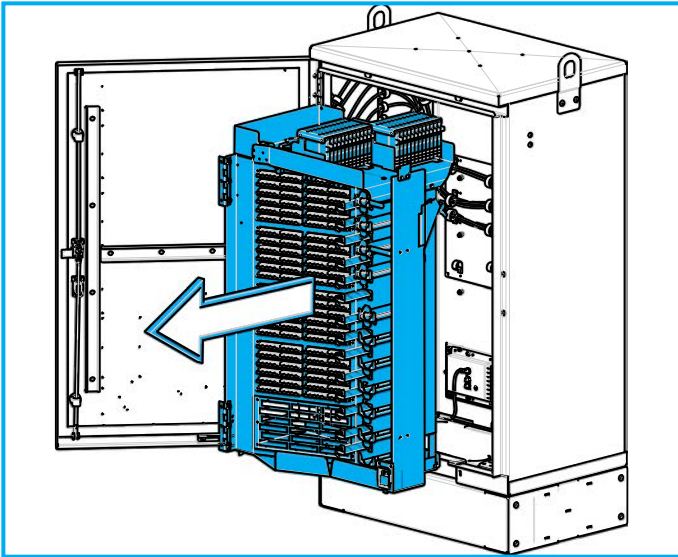
5.3 Open the swing frame.

5.4 Carefully free cable subunits from attachment clips inside enclosure. Take note of which subunit travels through which attachment clip for later reassembly.



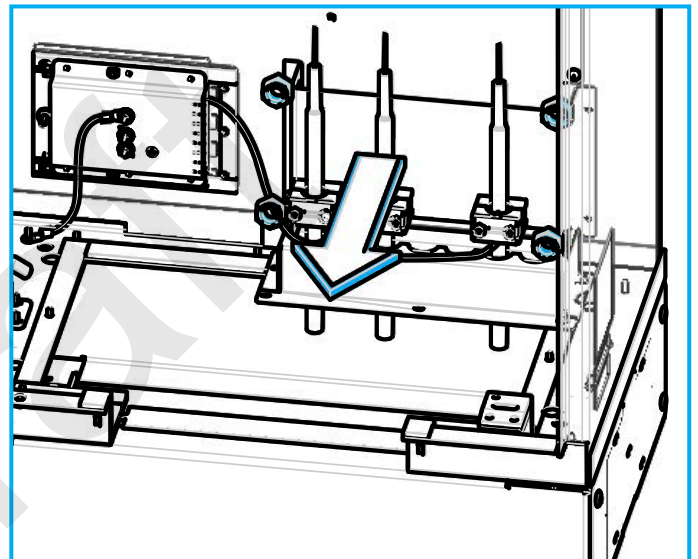
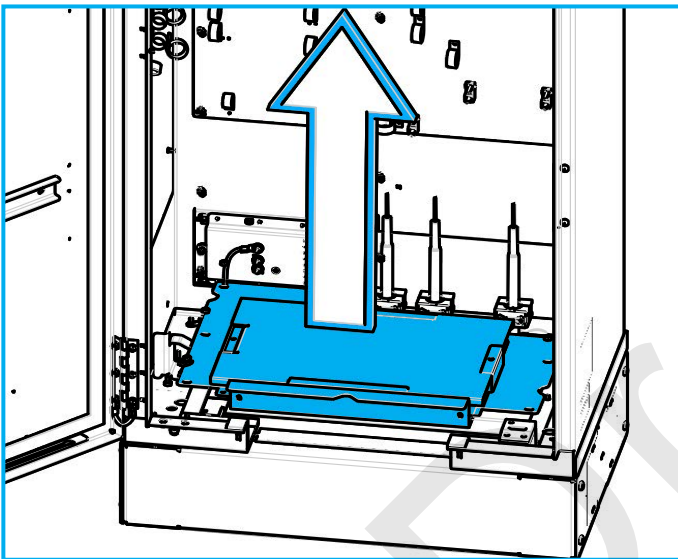
5.5 Remove the hinges from the cabinet shell and keep the hinges attached to the swing frame.

5.6 Remove ground wire from cabinet shell.



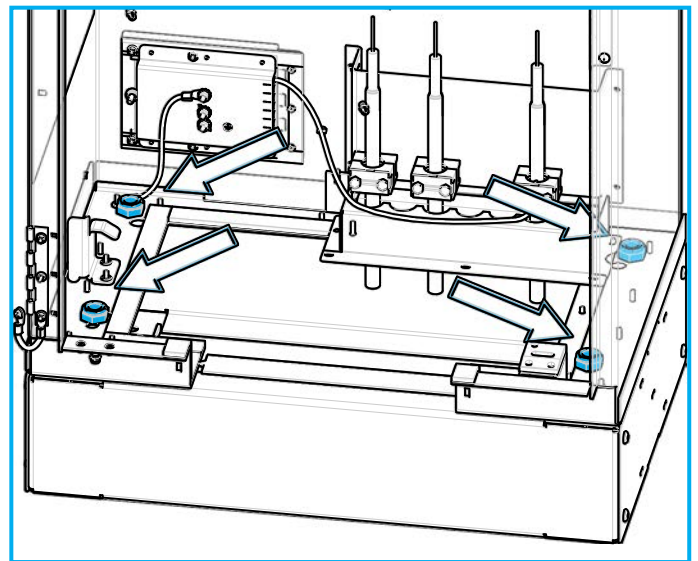
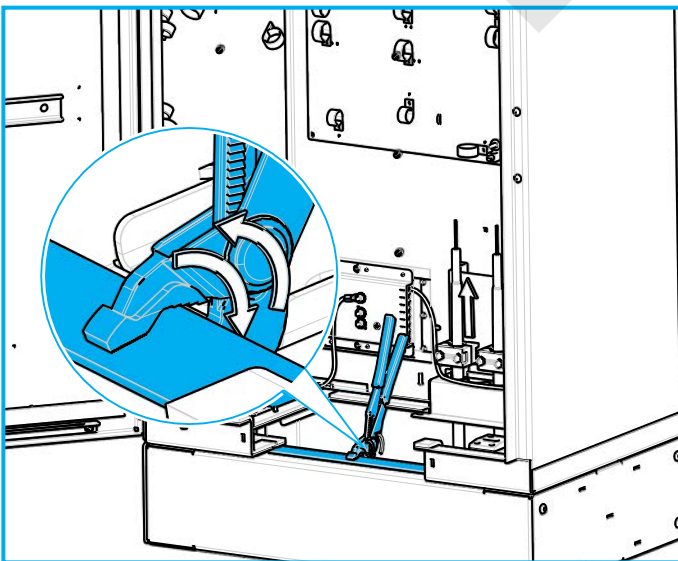
5.7 Take out the swing frame, place it safely on a raised and stable surface.

5.8 Remove ground wires from cables and ground locator panel.



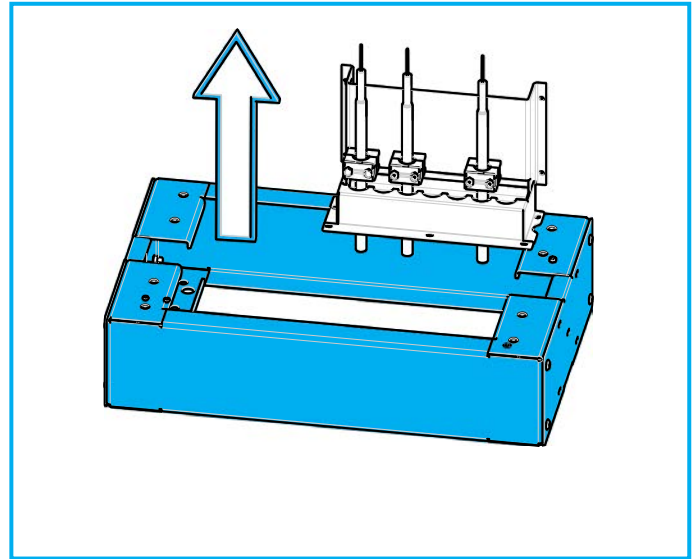
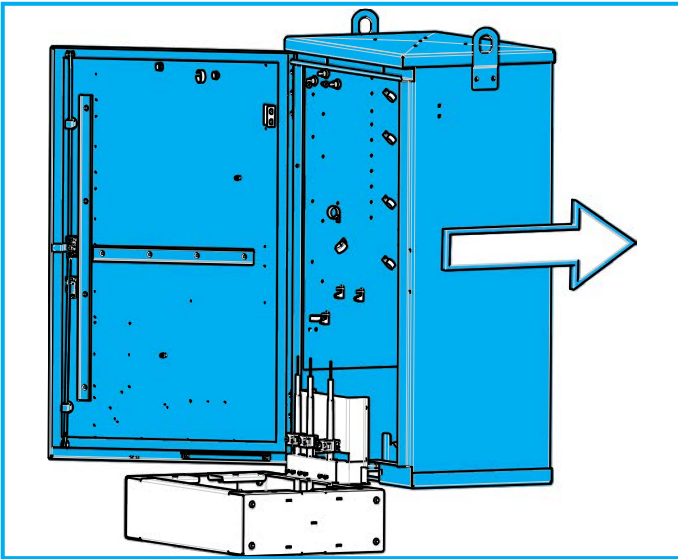
5.9 Remove bottom attachment plate by removing 9 sets of nuts and washers.

5.10 Remove 4 sets of nuts and washers that attach the cable mounting bracket from the back wall of the cabinet.



5.11 Remove the breakaway plate from the front on the cabinet.

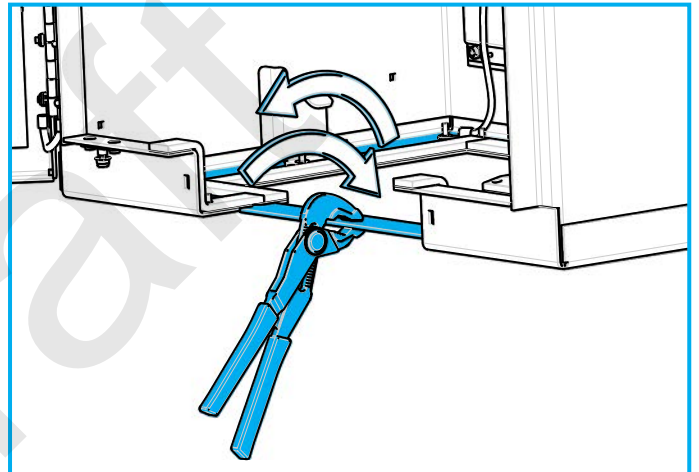
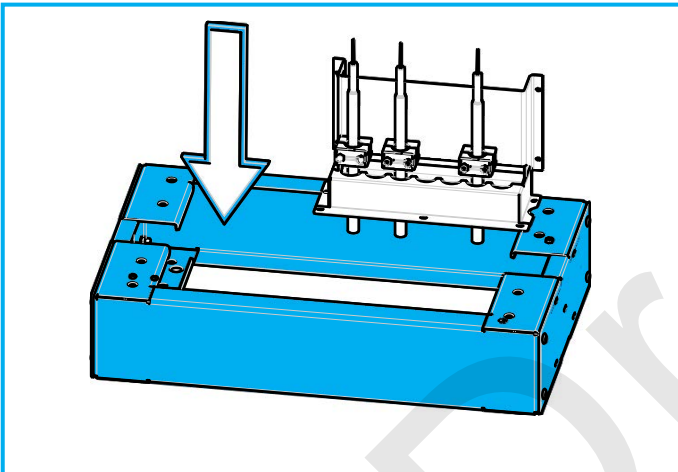
5.12 Remove the 4 bolts from the base of the cabinet shell.



5.13 Remove the damaged cabinet shell back and away from the swing frame.

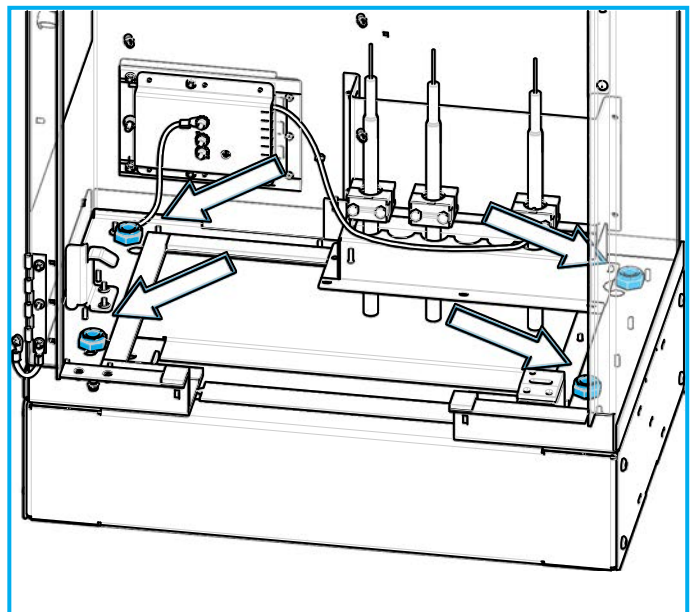
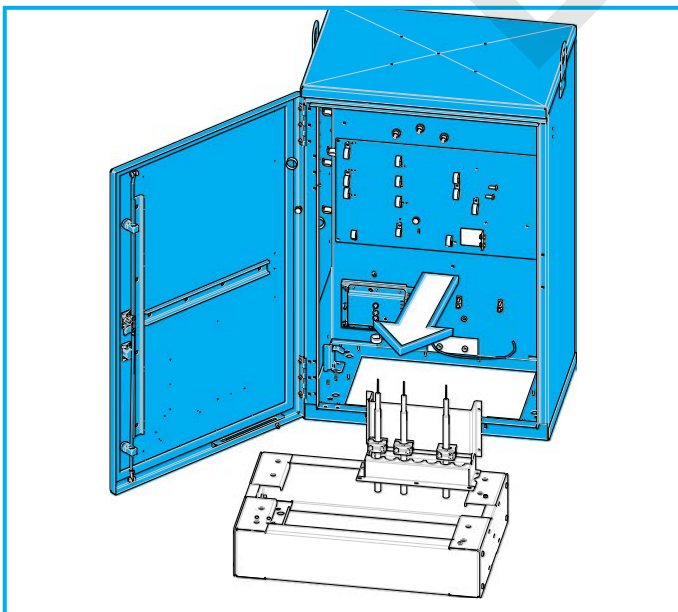
5.14 If applicable, remove riser.

## 6 Install new cabinet shell



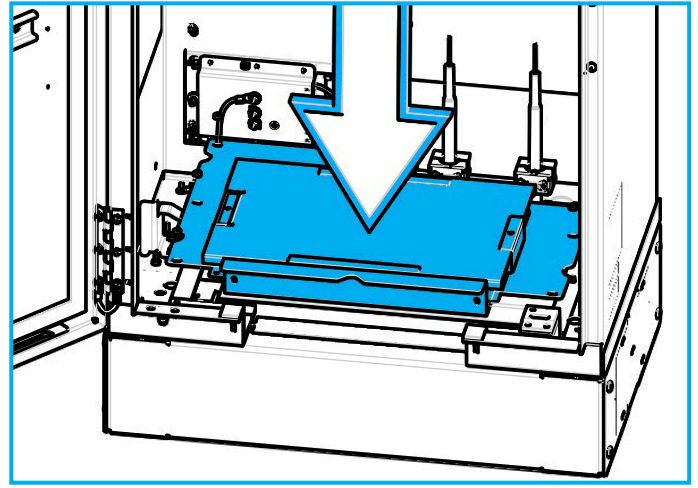
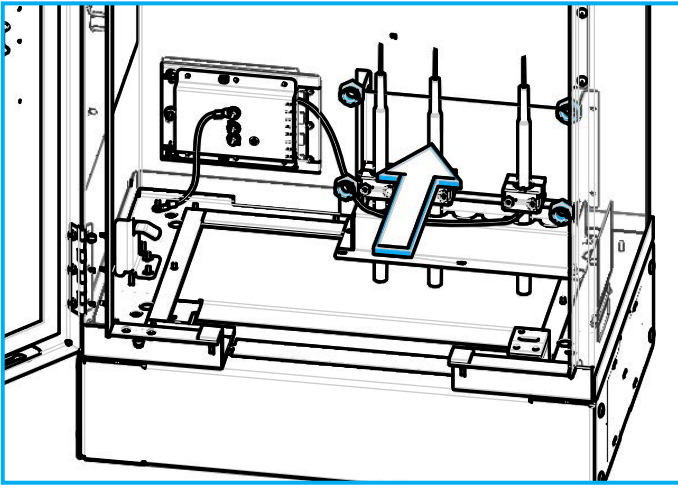
6.1 If applicable install the new riser.

6.2 Remove the breakaway plate from the front of the cabinet.



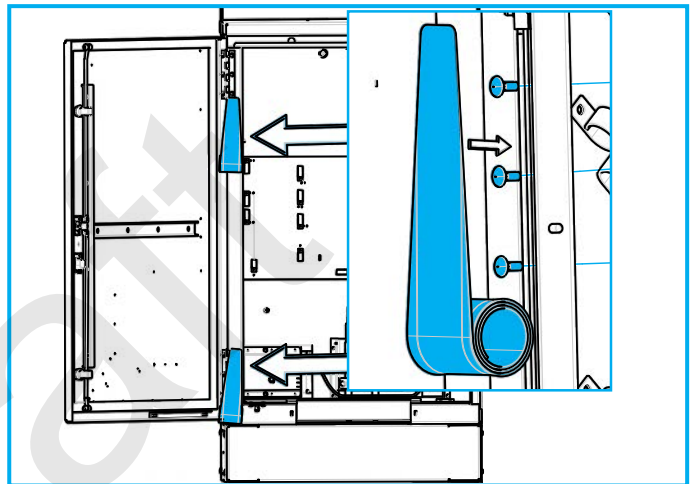
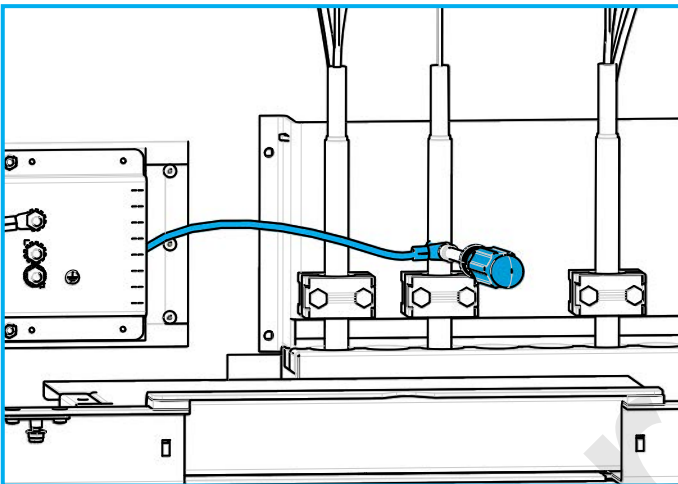
6.3 Install the cabinet shell.

6.4 Install 4 bolts to attach the cabinet shell to the riser.



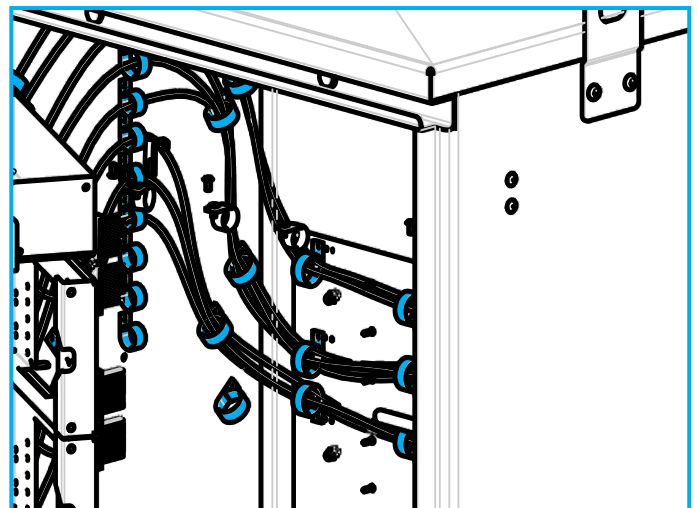
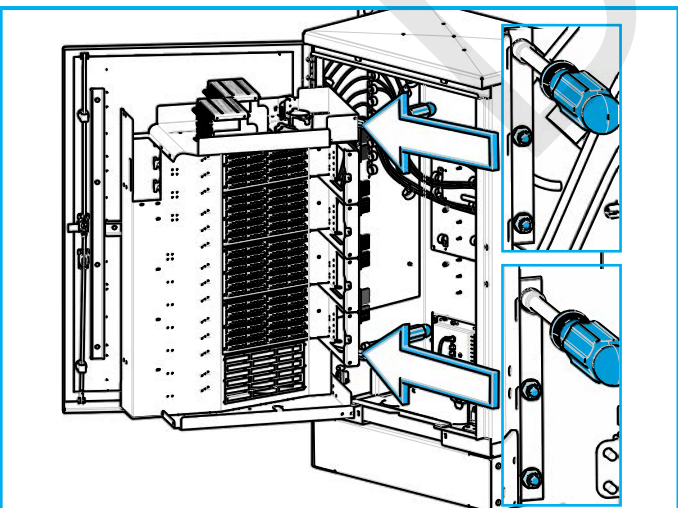
6.5 Re-install the cable clamp mounting bracket to the back wall of the cabinet.

6.6 Re-install the bottom attachment plate to the base of the cabinet.



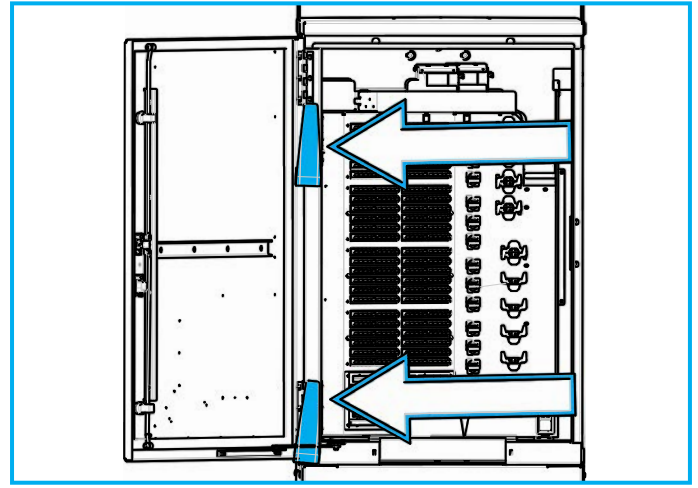
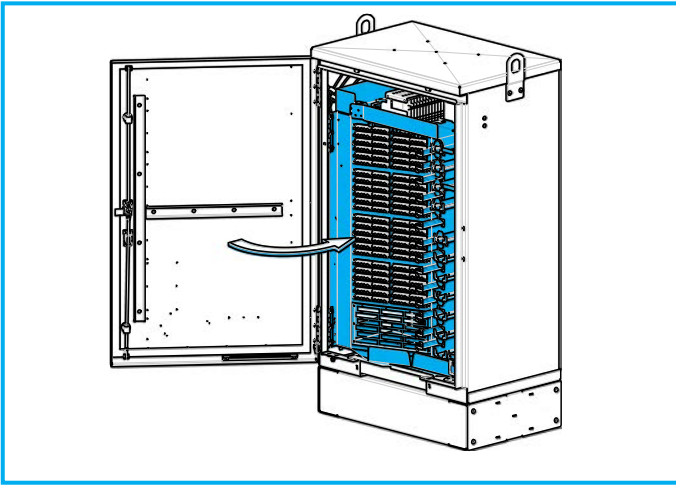
6.7 Re-install the ground wires that run between the ground locator panel and fiber cables.

6.8 Apply tape to stabilize mounting bolts and then re-install swing frame to cabinet shell.



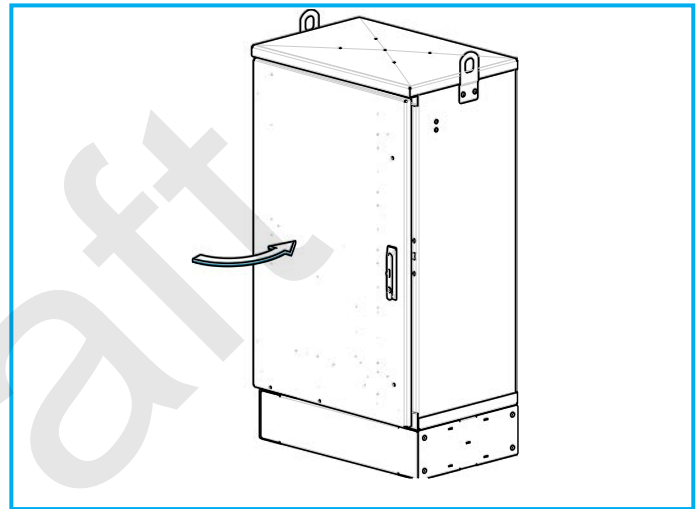
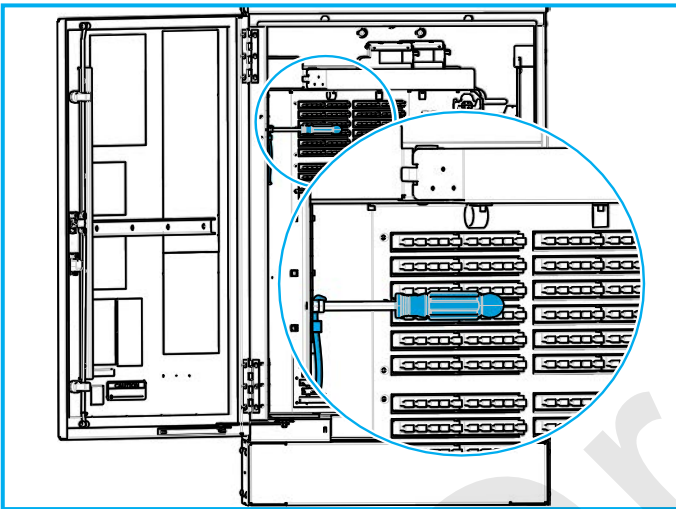
6.9 Carefully place the swing frame in position, do not to introduce tight bends or kinks in the cable subunits and screw the hinges on the frame.

6.10 Place the cable subunits back into the attachment clips inside the cabinet shell.



6.11 Close the swing frame.

6.12 Remove the tape from the mounting bolts.



6.13 Attach the ground strap and transfer all door label information from the damaged shell to the new one.

6.14 Close the cabinet door.

## 7 Trademarks and patents

All trademarks identified by ® or ™ are registered trademarks or trademarks, respectively, of CommScope, Inc. This document is for planning purposes only and is not intended to modify or supplement any specifications or warranties relating to CommScope products or services. CommScope is committed to the highest standards of business integrity and environmental sustainability, with a number of CommScope's facilities across the globe certified in accordance with international standards, including ISO 9001, TL 9000, and ISO 14001.

Further information regarding CommScope's commitment can be found at [www.commscope.com/About-Us/Corporate-Responsibility-and-Sustainability](http://www.commscope.com/About-Us/Corporate-Responsibility-and-Sustainability).

This product may be covered by one or more U.S. patents or their foreign equivalents. For patents, see [www.cs-pat.com](http://www.cs-pat.com).

## 8 Contact information

Visit our website or contact your local CommScope representative for more information.

For technical assistance, customer service, or to report any missing/damaged parts, visit us at: <http://www.commscope.com/SupportCenter>