

UDX1726T-N10 | E11F03P86



Ultra-Compact Twin Diplexer PCS-AWS/BRS, DC/AISG on PCS-AWS, NEX10 Connectors

- Ideal for small cell applications
- dc/AISG pass-through on low frequency ports
- Industry leading PIM performance
- Miniature NEX10™ series connector for superior PIM and compact size

Product Classification

Product Type Diplexer

General Specifications

Color Gray

Common Port Label Common

Modularity 2-Twin

RF Connector Interface NEX10 Female

RF Connector Interface Body Style Long neck

Dimensions

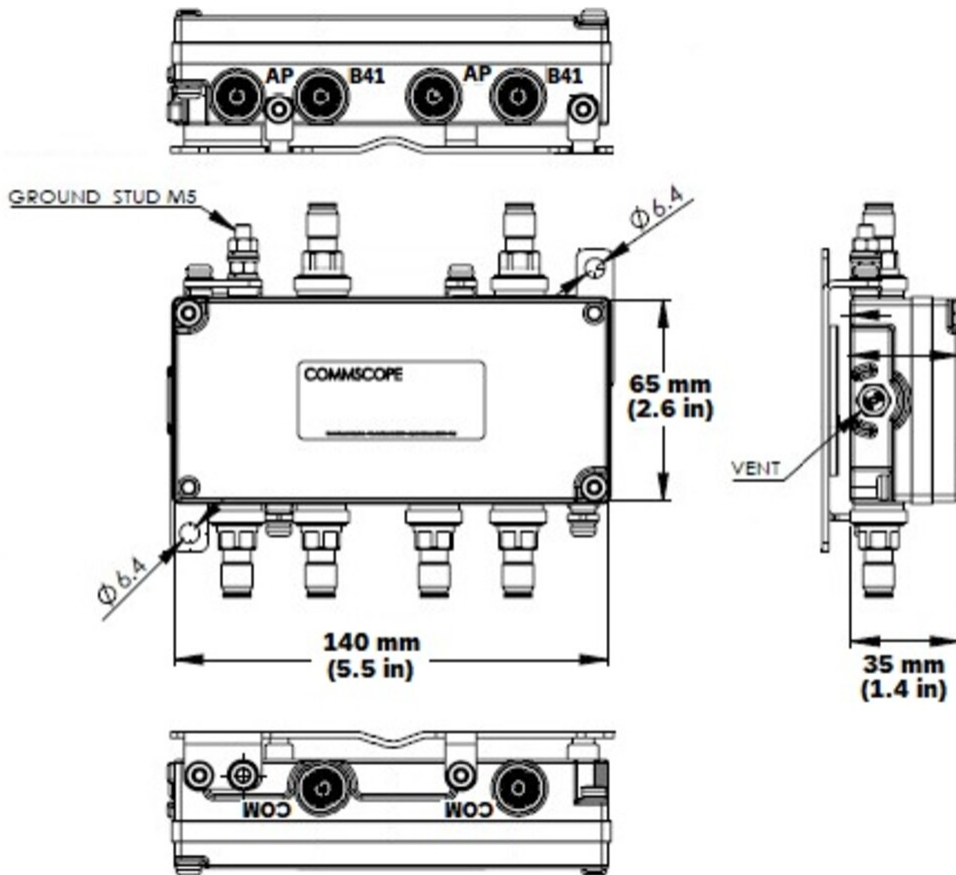
Height 65 mm | 2.559 in

Width 140 mm | 5.512 in

Depth 35 mm | 1.378 in

Outline Drawing

UDX1726T-N10 | E11F03P86



Electrical Specifications

Impedance	50 ohm
License Band, Band Pass	AWS 1700 AWS 2000 DCS 1800 IMT 2100 IMT 2600 PCS 1900 TDD 2600

Electrical Specifications, dc Power/Alarm

dc/AISG Pass-through Method	Factory set
dc/AISG Pass-through Path	Branch 1
dc/AISG Pass-through, combiner	Branch 1
dc/AISG Pass-through, demultiplexer	Branch 1
Lightning Surge Current	5 kA
Lightning Surge Current Waveform	8/20 waveform
Voltage	10–30 Vdc

UDX1726T-N10 | E11F03P86

Electrical Specifications, AISG

AISG Carrier 2.176 MHz ± 100 ppm

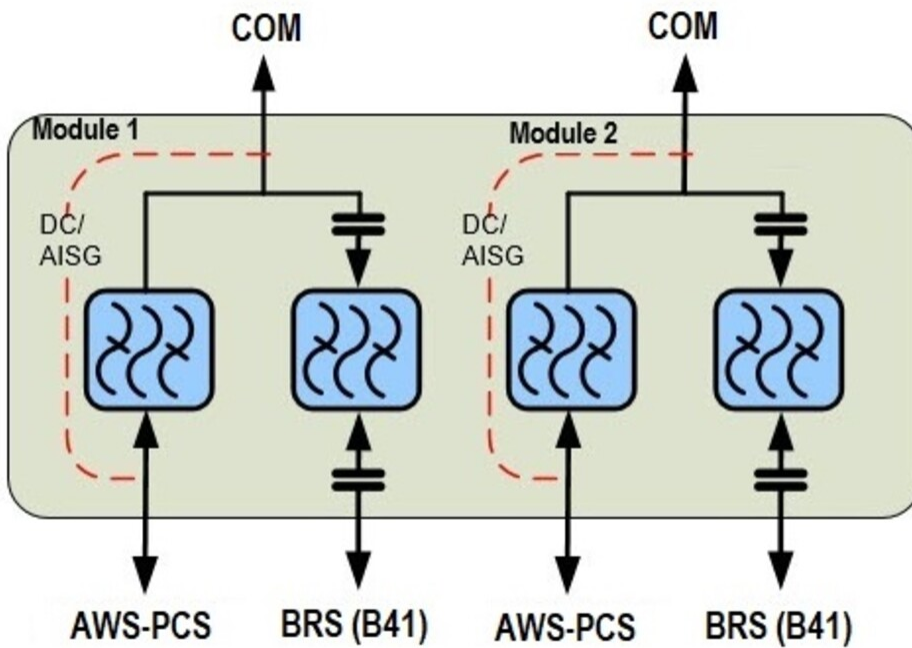
Electrical Specifications

Sub-module	1 2	1 2
Branch	1	2
Port Designation	PCS-AWS	BRS (B41)
License Band	PCS 1900, Band Pass AWS 1700, Band Pass AWS 2000, Band Pass DCS 1800, Band Pass IMT 2100, Band Pass	TDD 2600, Band Pass IMT 2600, Band Pass

Electrical Specifications, Band Pass

Frequency Range, MHz	1695–2200	2496–2700
Insertion Loss, typical, dB	0.1	0.15
Total Group Delay, maximum, ns	15	15
Return Loss, minimum, dB	20	20
Isolation, minimum, dB	35	35
Input Power, RMS, maximum, W	70	70
Input Power, PEP, maximum, W	1500	1500
3rd Order PIM, maximum, dBc	-161	-161
3rd Order PIM Test Method	Two +43 dBm carriers	Two +43 dBm carriers

Block Diagram



Material Specifications

Finish Painted

Environmental Specifications

Operating Temperature -40 °C to +65 °C (-40 °F to +149 °F)

Relative Humidity Up to 100%

Ingress Protection Test Method IEC 60529:2001, IP67

Packaging and Weights

Included Mounting hardware

Mounting Hardware Weight 0.13 kg | 0.287 lb

Volume 0.32 L

Weight, without mounting hardware 0.72 kg | 1.587 lb