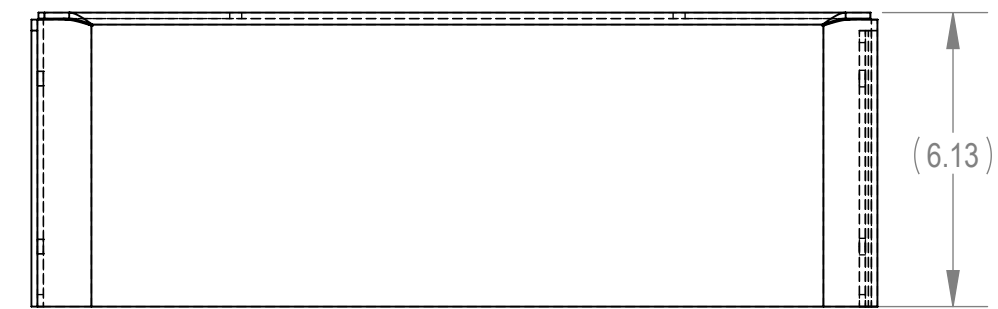
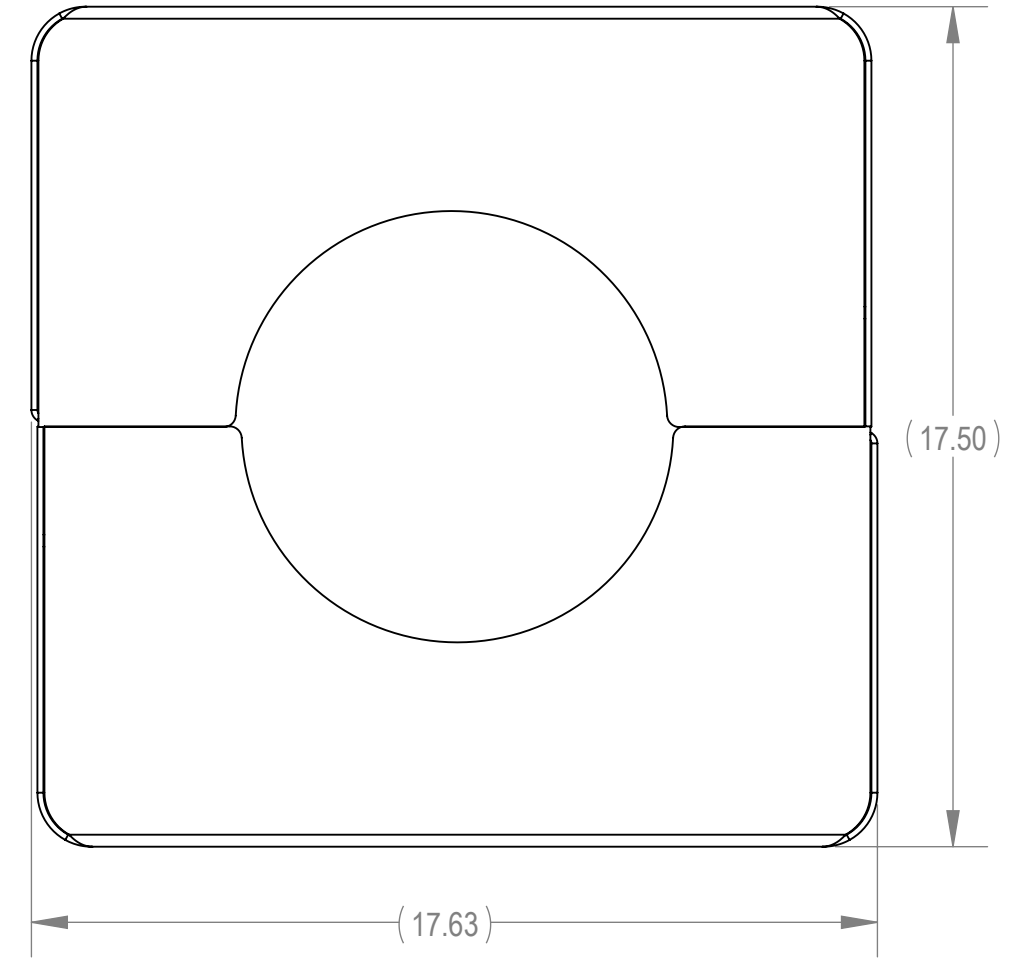
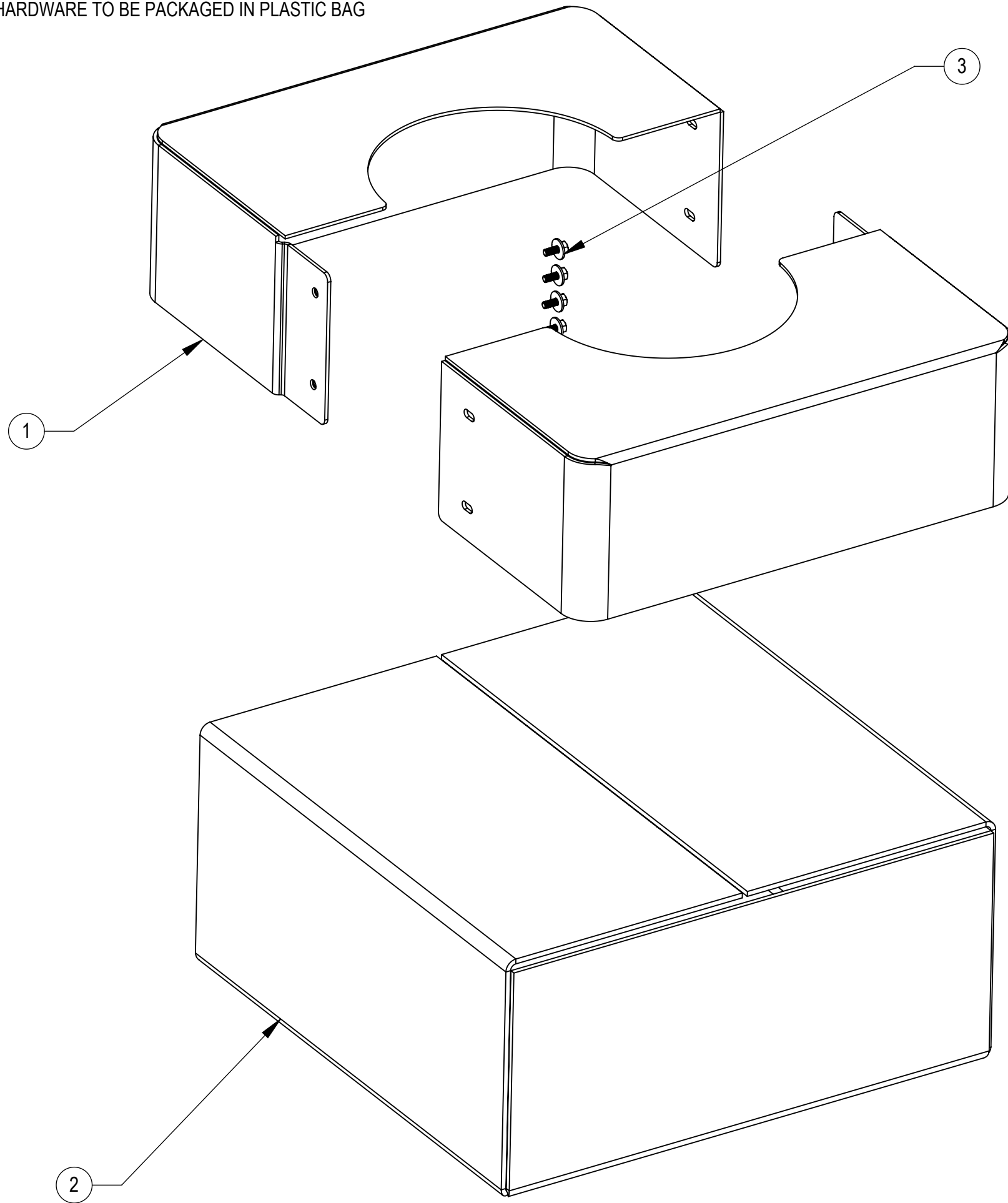
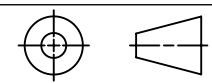


- 1. GENERAL NOTES
 - 1 MARK PART WITH IDENTIFICATION NUMBER
- 2. DESIGN NOTES
 - 1 THE FINISHED ITEM IS A SERIES ASSEMBLY. A -XX FINISH SUFFIX DESIGNATES A PRODUCT PART NUMBER THAT REPRESENTS SPECIFIC COLOR AND/OR FINISH. REFER TO METROCELL DOCUMENT MTM1004 FOR SPECIFIC REQUIREMENTS
- 3. MANUFACTURING/SPECIAL REQUIREMENTS
- 4. TEST
- 5. PACKAGING
 - 5.1 UP TO 5% EXTRA HARDWARE
 - 5.2 LOOSE HARDWARE TO BE PACKAGED IN PLASTIC BAG

REVISIONS				
REV.	ECN	DESCRIPTION	BY	DATE
A	8000031422	INITIAL RELEASE	JP1130	9/4/2018
B	8000032857	UPDATE COVERS AND HARDWARE	JE1043	1/9/2019
C	8000042331	ADDED DIMENSIONED VIEWS	HCHEN5	8/14/2020



COMMSCOPE, INC. OF NORTH CAROLINA										
TOLERANCES					SAP MATERIAL MASTER					
1 PLACE .X ± 0.25			3 PLACE .XXX ± 0.06		860644785-CKX					
2 PLACE .XX ± 0.12		ANGLES ± 0.5°								
FINISH NONE					MATERIAL N/A					
BASEPLATE COVER KIT FOR 11IN POLE										
UNLESS OTHERWISE SPECIFIED DIMENSIONS ARE IN INCHES INTERPRET PER ANSI Y 14.5M-1994		NAME		DATE		TITLE				
		CE JP1130		08/31/18		860644785-CK SERIES				
		RW HCHEN5		08/17/2020						
		AD HCHEN5		08/17/2020						
RE SF1043		08/18/2020								
ECN 008000042331		SCALE 1:4		DOCUMENT NO.						
SIZE		WORK AREA 24		MODEL			DRAWING			SHEET 1 OF 1
C				VERSION 02		STATUS RE		REVISION C		

ITEM NO.	PART NUMBER	DESCRIPTION	WEIGHT	Default/ QTY.	NOTE
1	MTM1032-200-XX	BASEPLATE COVER WELDMENT 11IN POLE	4.04 LBS	2	2.1
2	BX19198	BOX 19x19x8.5	1.49 LBS	1	
3	460155492	SEMS, HCS M6 X 16MM WITH CAPTIVE WASHERS	0.021 LBS	6	