

4

3

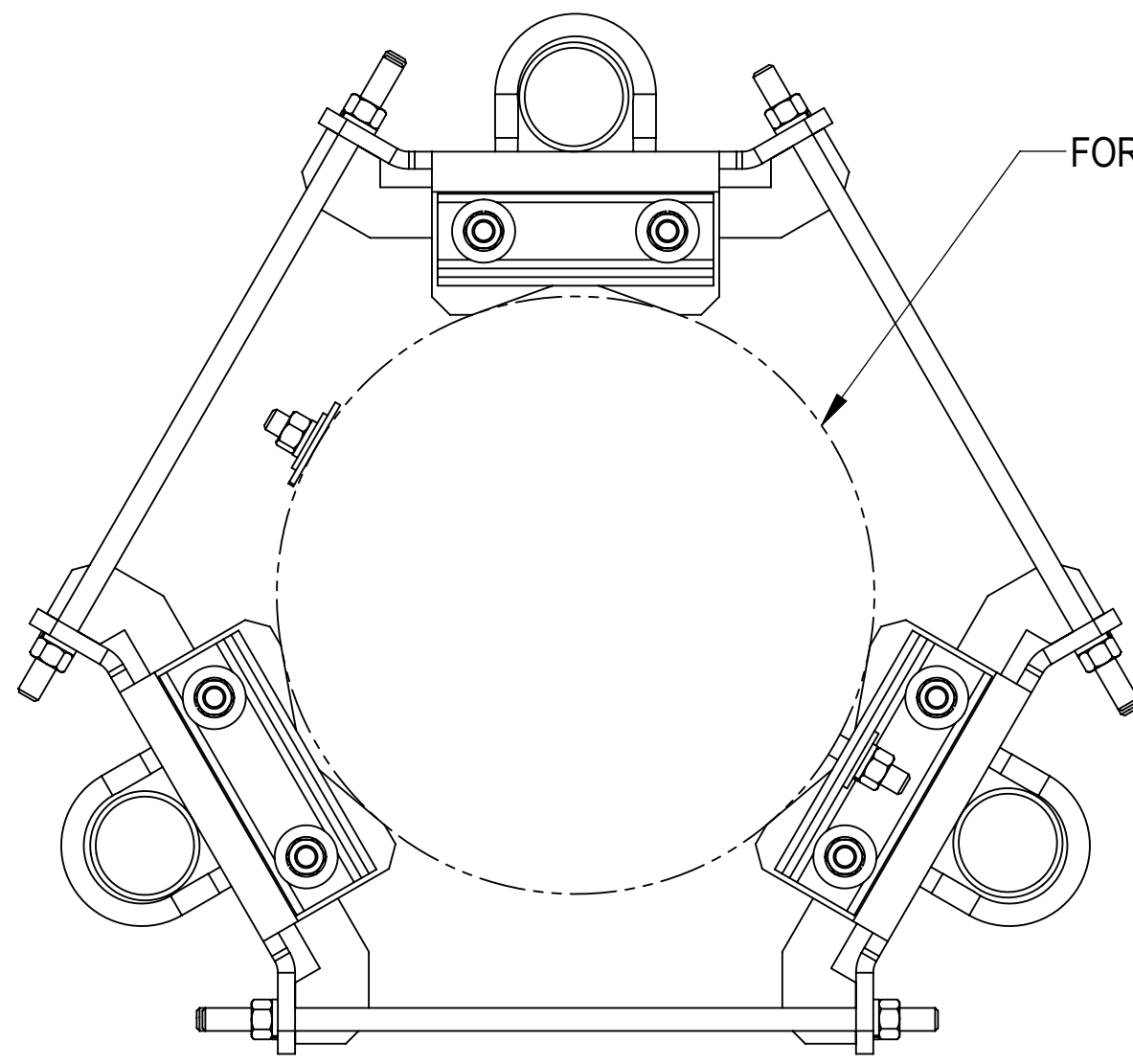
2

1

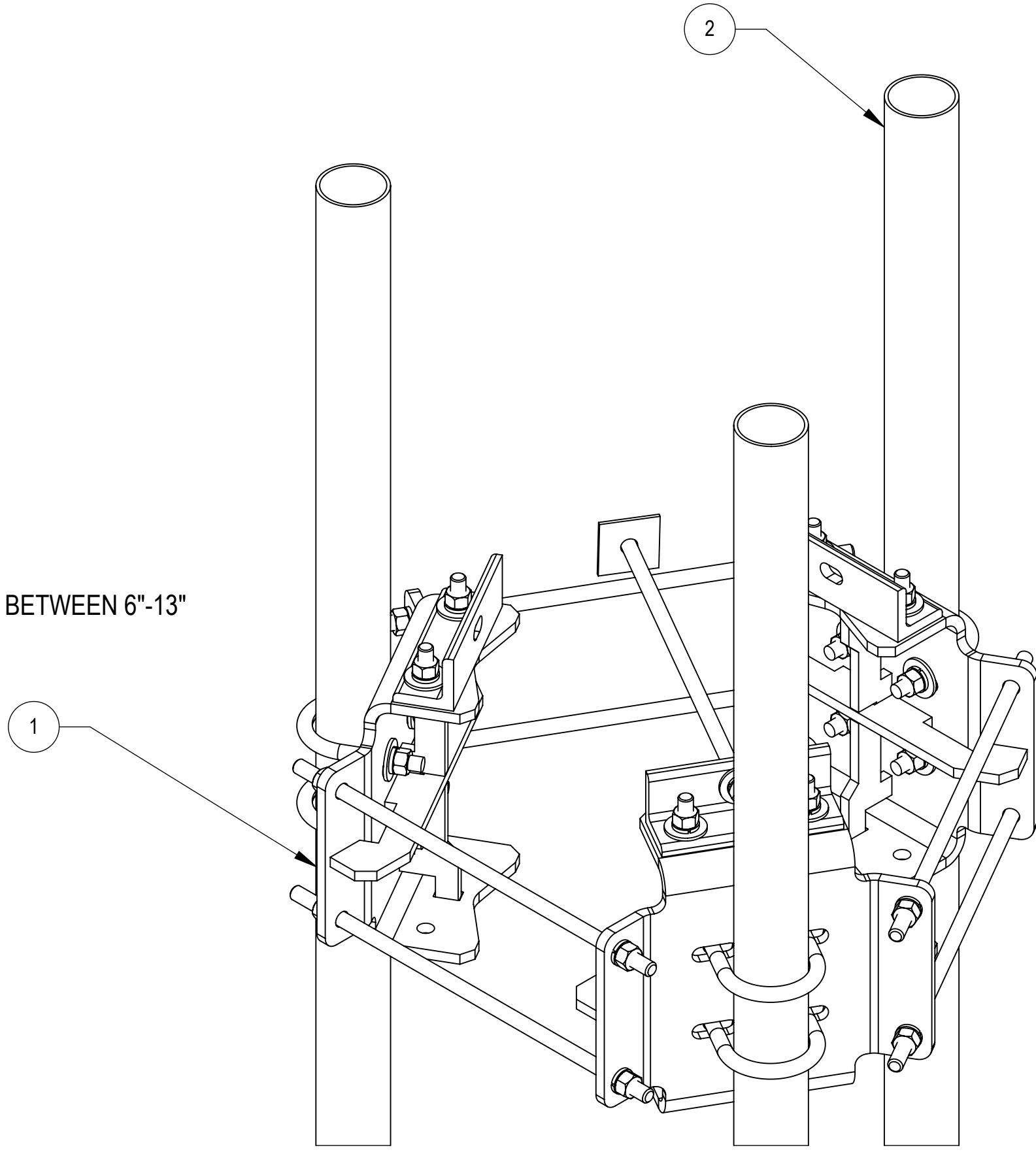
NOTES:

- 1.0 GENERAL
 - 1.1 ALL METRIC DIMENSIONS ARE IN BRACKETS
 - 1.2 FOR PATENTS, SEE WWW.CS-PAT.COM
- 2.0 DESIGN NOTES
- 3.0 MANUFACTURING/SPECIAL REQUIREMENTS
- 4.0 TEST
- 5.0 PACKAGING

REVISIONS				
REV.	ECN	DESCRIPTION	BY	DATE
A	8000040496	INITIAL RELEASE	ES1081	05/07/20
B	8000041580	UPDATED PIPE PART NUMBER	ES1081	06/25/20



FOR USE WITH POLE DIAMETER BETWEEN 6"-13"



ITEM	PART NO.	DESCRIPTION	QTY.
1	MTC9313613	WOODPOLE RINGMOUNT, 6"-13"	1
2	MT-650-63	Ø 2.375" OD x 63" PIPE	3

DENSITY		lbs/in ³
MASS	106.04	lbs
VOLUME	3584.20	in ³
SURFACE AREA	5635.06	in ²

COMMSCOPE, INC. OF NORTH CAROLINA

TOLERANCES		SAP MATERIAL MASTER	
1 PLACE .X ± .25	3 PLACE .XXX ± 0.06	SCSMRU-301-T	
2 PLACE .XX ± 0.12	ANGLES ± 2°		
FINISH GALV A123		MATERIAL A1011/A1018, A529, A500	

UNLESS OTHERWISE SPECIFIED DIMENSIONS ARE IN INCHES INTERPRET PER ANSI Y 14.5M-1994	NAME	DATE	SMALL CELL RING MOUNT W/ PIPES
	CE	ES1081 05/08/20	
	RW	ES1081 06/26/2020	
	RV		
	AD	BCAMPBELLCON 06/26/2020	
RE	BCROSS 06/29/2020	SCALE	DOCUMENT NO.
ECN 008000041580		1:16	SCSMRU-301-T

C	SIZE	WORK AREA	24	MODEL			DRAWING			SHEET 1 OF 2
				VERSION	STATUS	REVISION	VERSION	STATUS	REVISION	
				02	RE		01	RE	A	

4

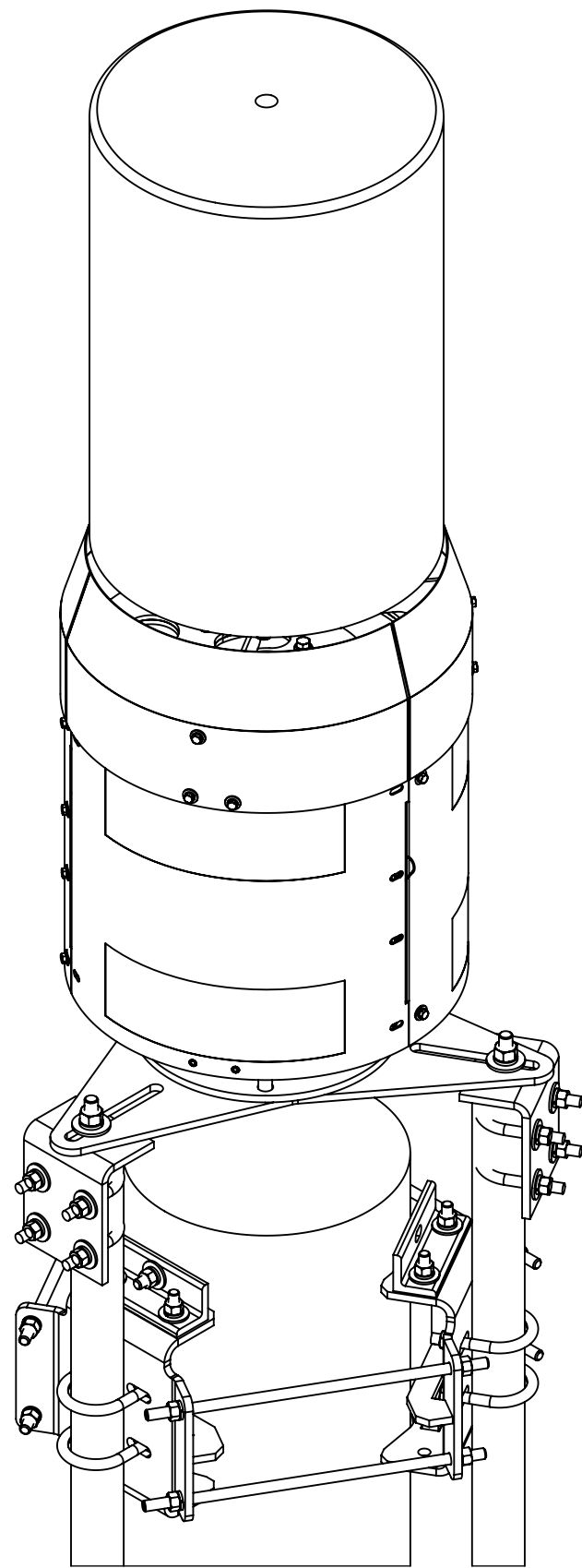
3

2

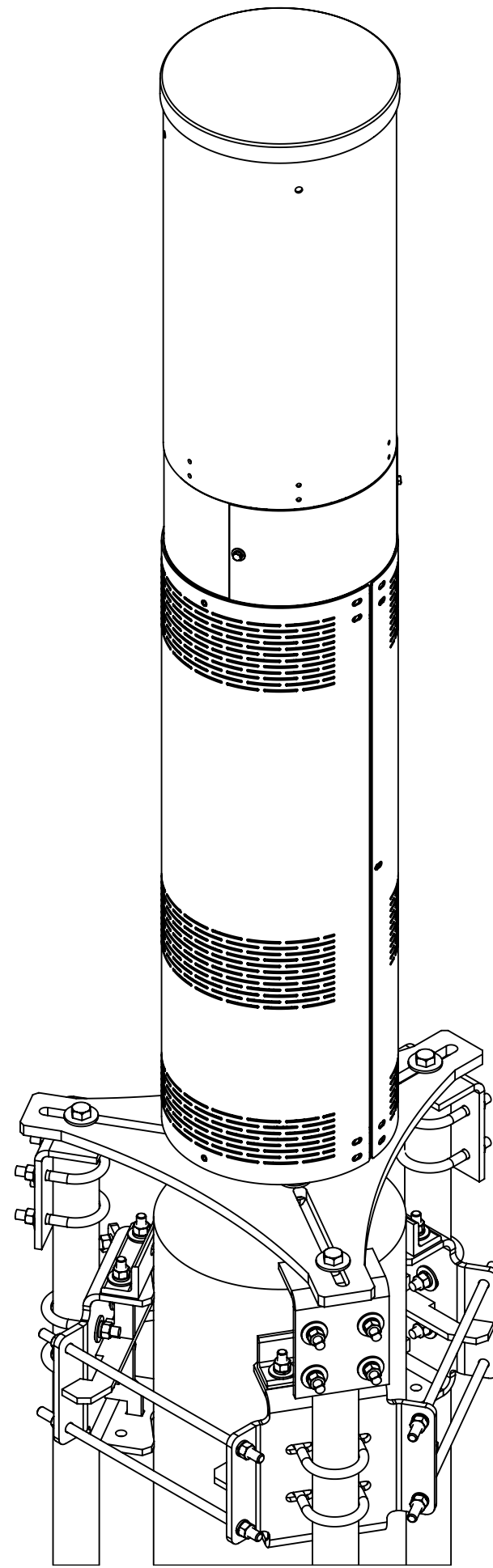
1

NOTES:

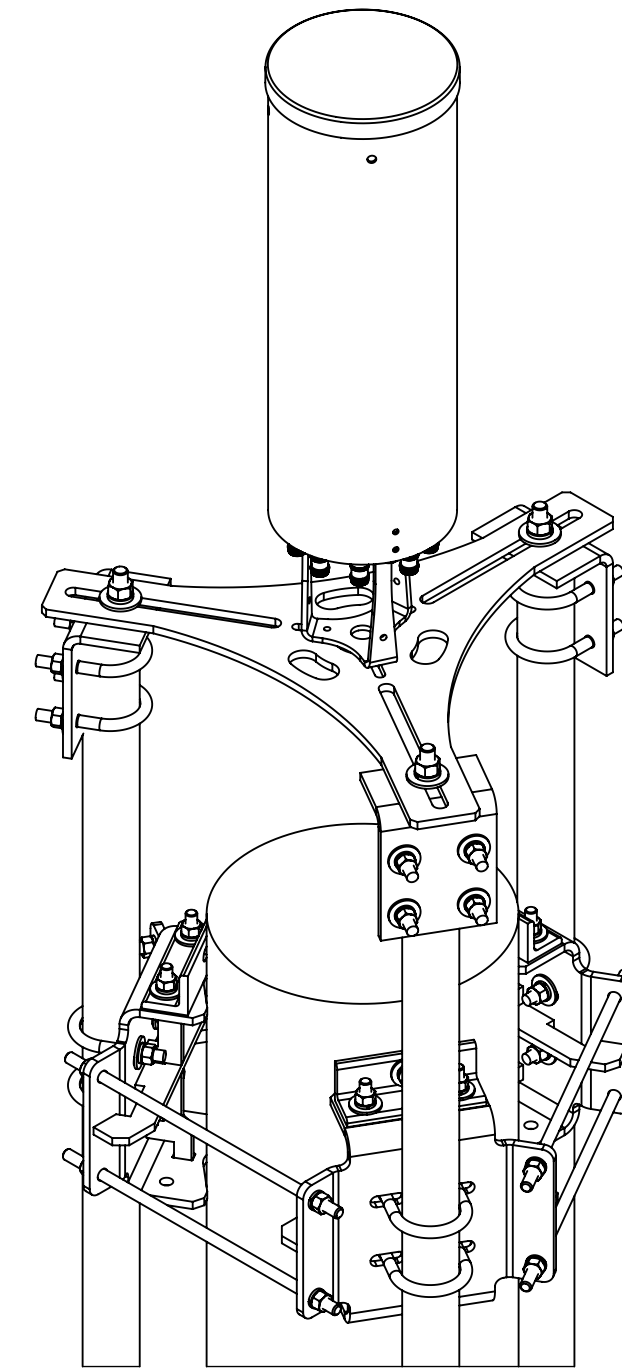
TYPICAL APPLICATIONS WITH ADDITIONAL SEPARATELY ORDERED COMPONENTS



SCSMRU-301-T
SHOWN WITH
SCPTRU-201-T



SCSMRU-301-T
SHOWN WITH
SCPTRU-200-T



SCSMRU-301-T
SHOWN WITH
SCPTRU-100-T

COMMSCOPE, INC. OF NORTH CAROLINA				
TITLE SMALL CELL RING MOUNT W/ PIPES				
SIZE C	SCALE 1:16	DOCUMENT NO. SCSMRU-301-T		
		DRAWING		SHEET
		VERSION	STATUS	REVISION
		01	RE	A
				2 OF 2

4

3

2

1

D

D

C

C

B

B

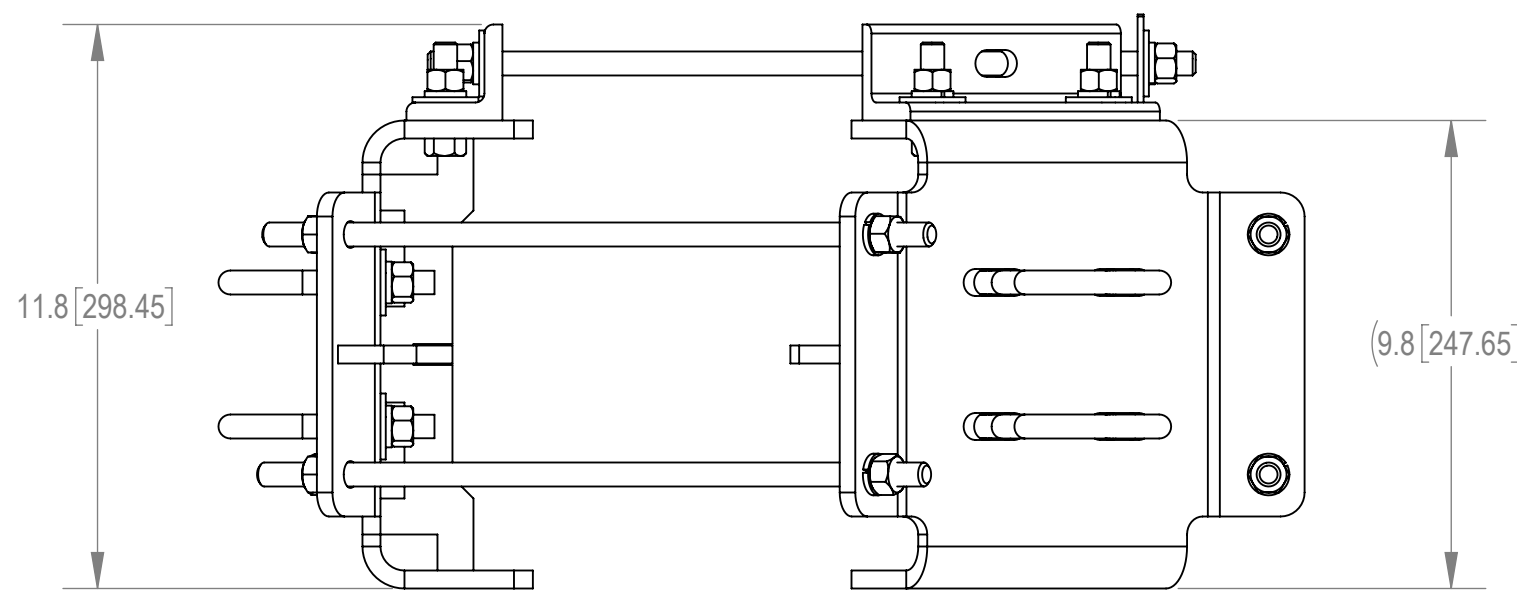
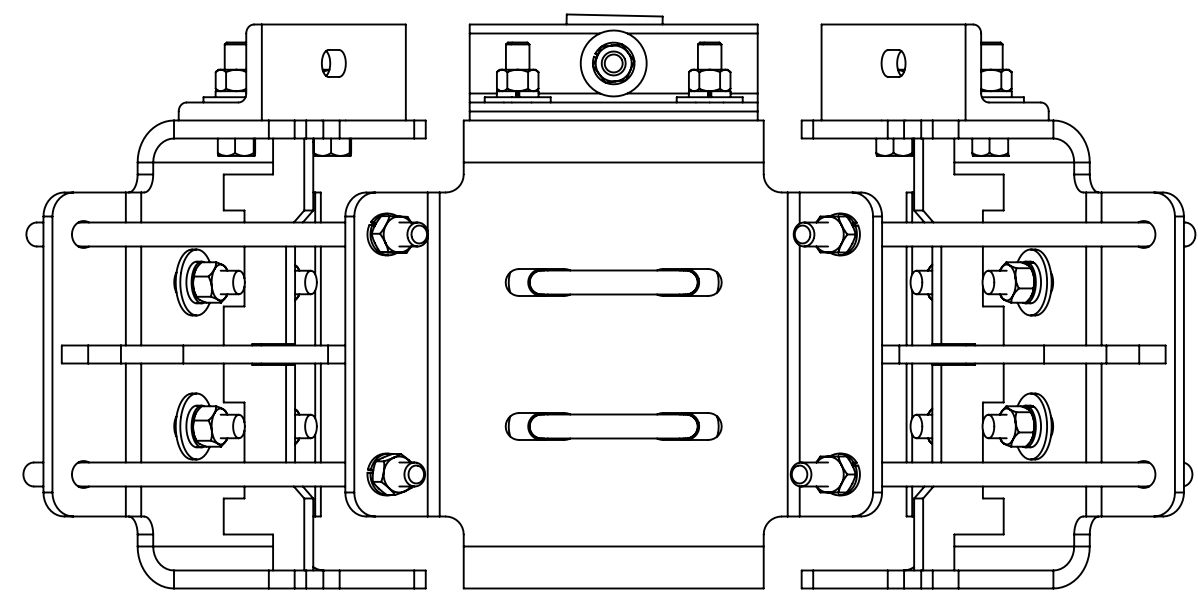
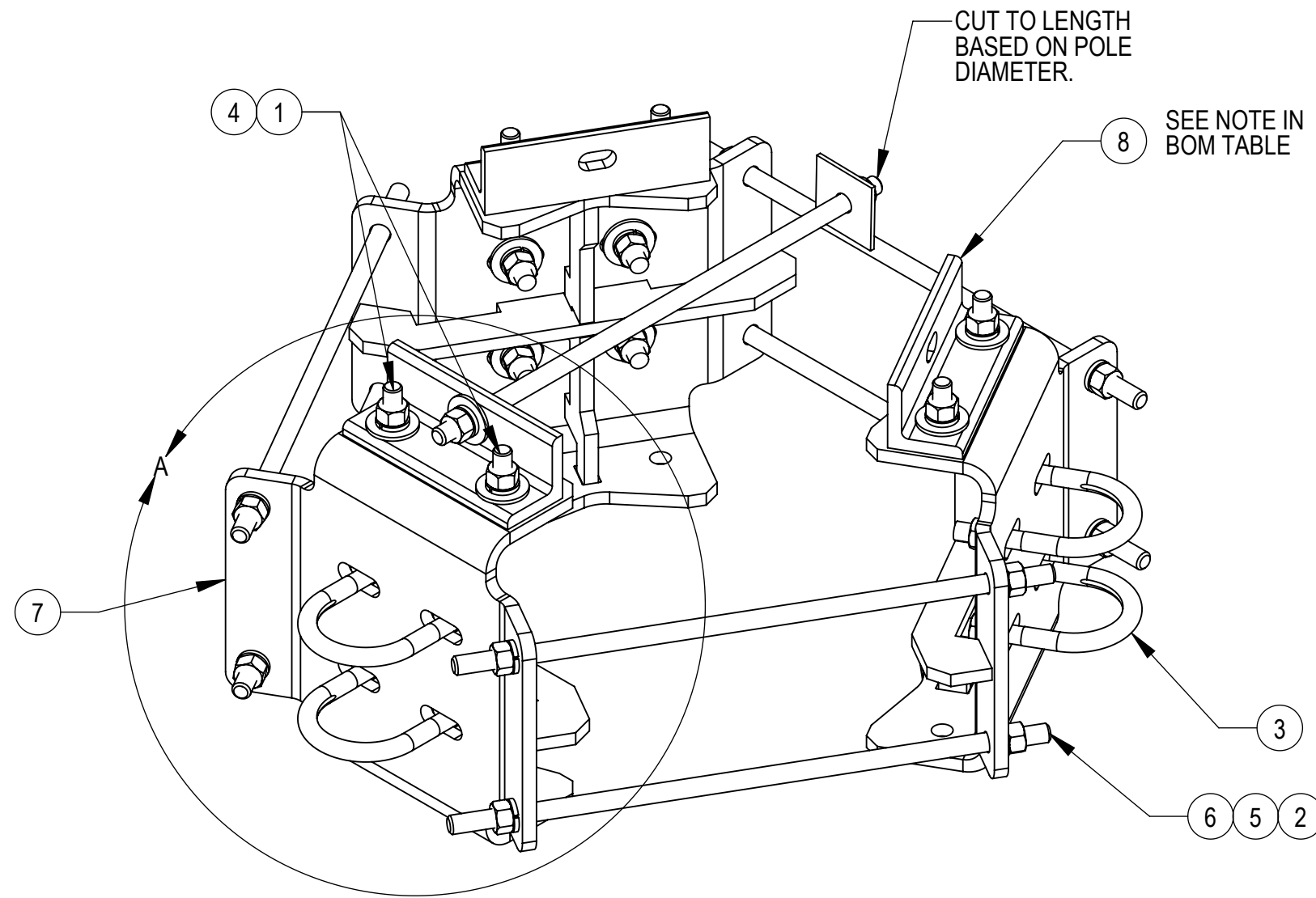
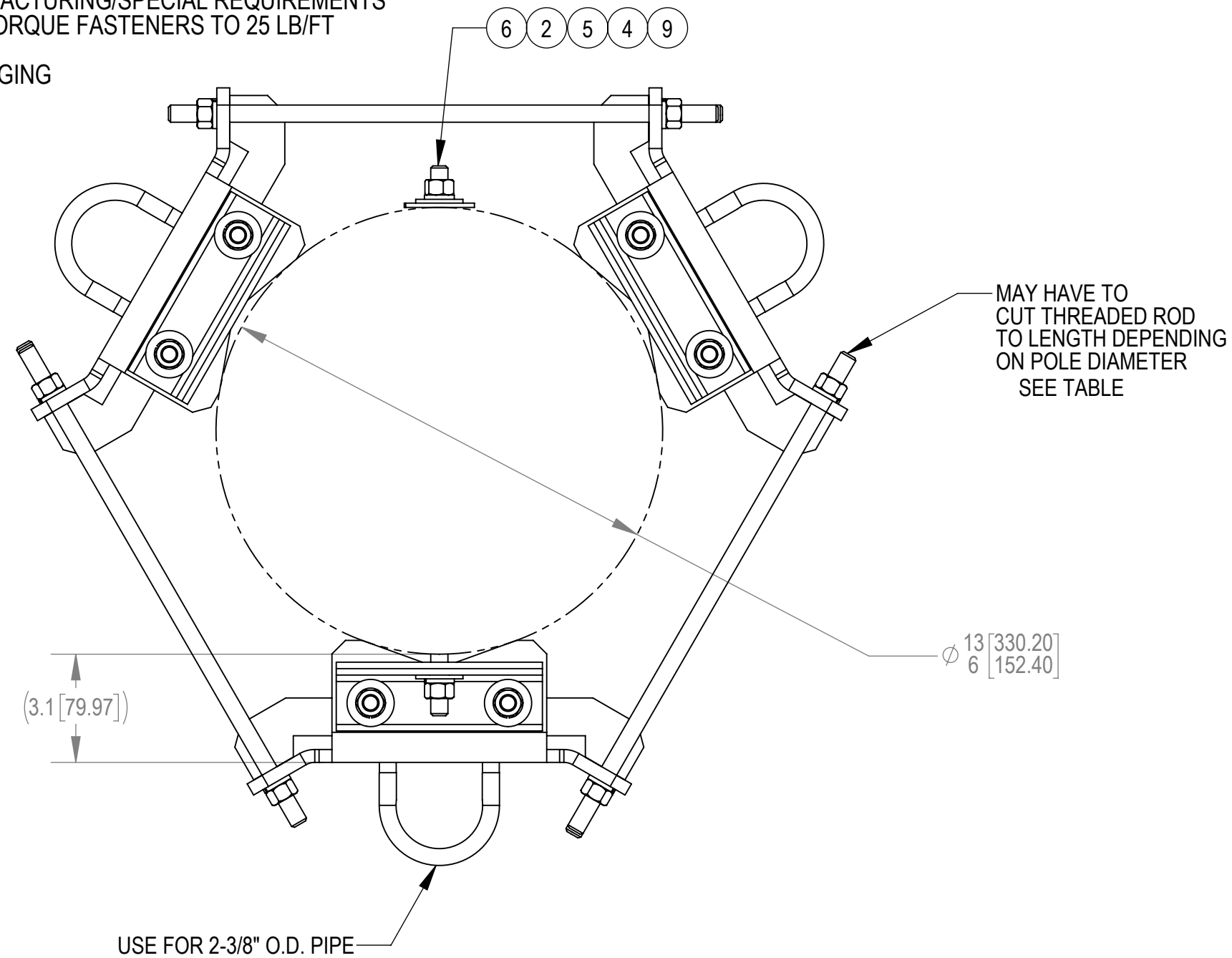
A

A

NOTES:

- 1.0 GENERAL
 - 1.1 ALL METRIC DIMENSIONS ARE IN BRACKETS
 - 1.2 FOR PATENTS, SEE WWW.CS-PAT.COM
- 2.0 DESIGN NOTES
- 3.0 MANUFACTURING/SPECIAL REQUIREMENTS
 - 3.1 TORQUE FASTENERS TO 25 LB/FT
- 4.0 TEST
- 5.0 PACKAGING

REVISIONS				
REV.	ECN	DESCRIPTION	BY	DATE
B	8000037927	INITIAL RELEASE	MRC	11/06/19



CUT LENGTH TABLE	
WOODPOLE DIAMETER	THREADED ROD CUT LENGTH
6	9 [228.6]
7	10 [254.0]
8	11 [279.4]
9	12 [304.8]
10	13 [330.2]
11	14 [355.6]
12	15 [381.0]
13	NO CUT

ITEM NO.	PART NUMBER	DESCRIPTION	QTY.	
1	GB-04205	1/2" X 2" GALV BOLT KIT	6	
2	GN-04	1/2" GALV HEX NUT	14	
3	GUB-4240	1/2" X 2-1/2" X 4" GALV U-BOLT	6	
4	GWF-04	1/2" GALV FLAT WASHER	8	
5	GWL-04	1/2" GALV LOCK WASHER	14	
6	MT37916	1/2" X 16" GALV THREADED ROD	7	
7	MTC931310	WELDMENT, PLATE, RINGMOUNT, 6"-13"	3	
8	MTC931308	ANGLE, 2 X 2 X .375 X 6	3	USE ALL THREE WHEN LAG BOLTS ARE USED. USE ONE WHEN THREADED ROD IS USED THRU POLE
9	SW-12	BACKING PLATE, .125" X 2" X 2" W/ 9/16" HOLE	1	

COMMSCOPE, INC. OF NORTH CAROLINA

TOLERANCES		SAP MATERIAL MASTER	
1 PLACE .X ± .25	3 PLACE .XXX ± 0.06	MTC9313613	
2 PLACE .XX ± 0.12	ANGLES ± 2°		
FINISH GALV A123		MATERIAL A1011/A1018, A529	
UNLESS OTHERWISE SPECIFIED DIMENSIONS ARE IN INCHES INTERPRET PER ANSI Y 14.5M-1984		WOODPOLE RINGMOUNT, 6"-13"	
CE	MRC 10/23/19		
RW	MC1107 11/22/2019	SCALE 1:4 DOCUMENT NO. MTC9313613	
RV	BCAMPBELLCON 11/22/2019		
AD	FA1024 11/25/2019	SIZE WORK AREA 24 MODEL	
RE	ECN 008000037927		
DENSITY 60.66 lbs/in ³		DRAWING	
MASS 60.66 lbs		VERSION STATUS REVISION	
VOLUME 3423.15 in ³		03 RE B	
SURFACE AREA 2946.07 in ²		VERSION STATUS REVISION	
HEIGHT		03 RE B	
LENGTH		DRAWING	
WIDTH		03 RE B	

SHEET 1 OF 3

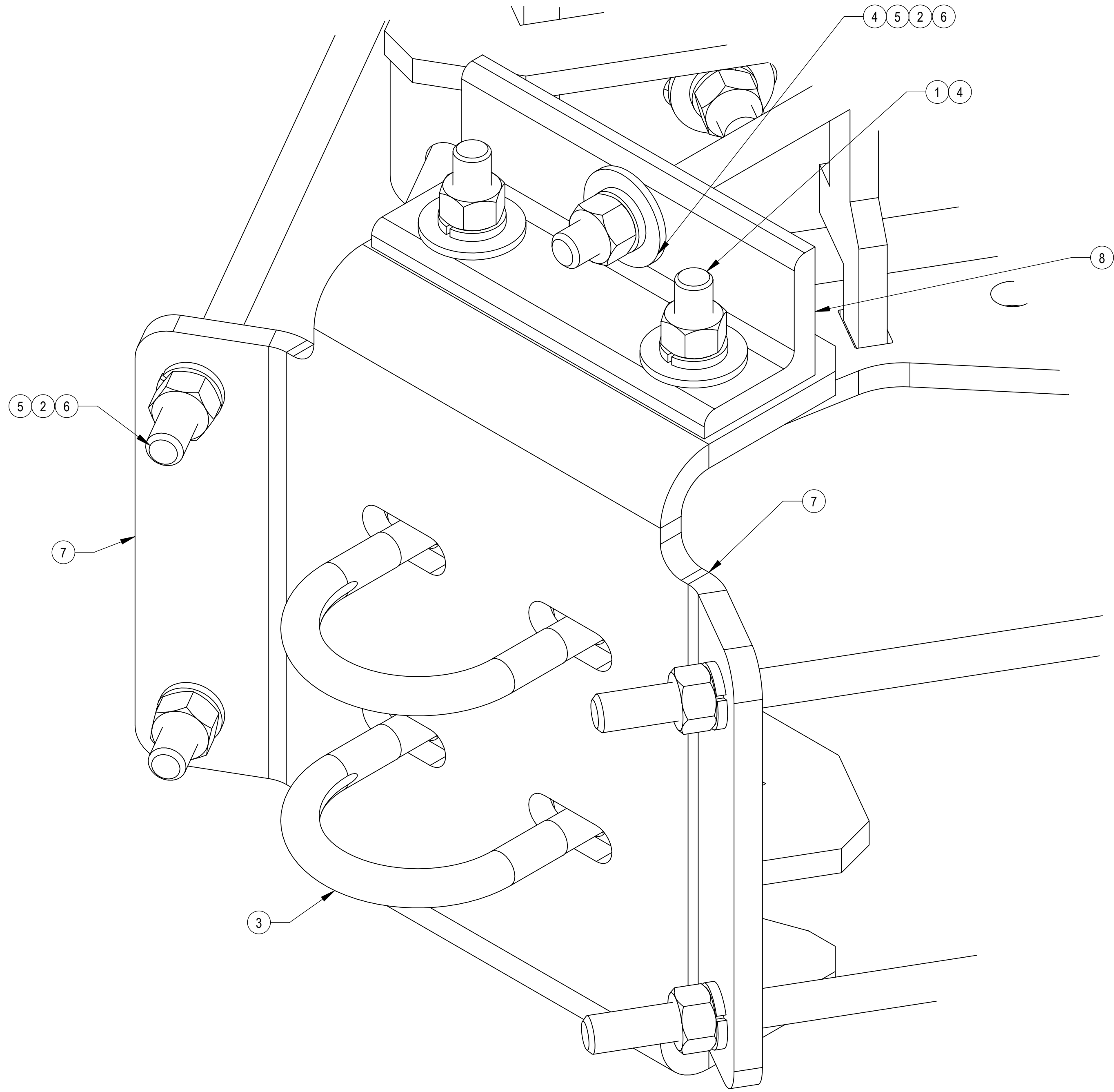
4

3

2

1

NOTES:



DETAIL A
SCALE 1:1

© 2019 CommScope, Inc.

COMMSCOPE, INC. OF NORTH CAROLINA				
TITLE WOODPOLE RINGMOUNT, 6"-13"				
SIZE C	SCALE 1:4	DOCUMENT NO. MTC9313613		
		DRAWING		SHEET
		VERSION	STATUS	REVISION
		03	RE	B
				2 OF 3

4

3

2

1

4

3

2

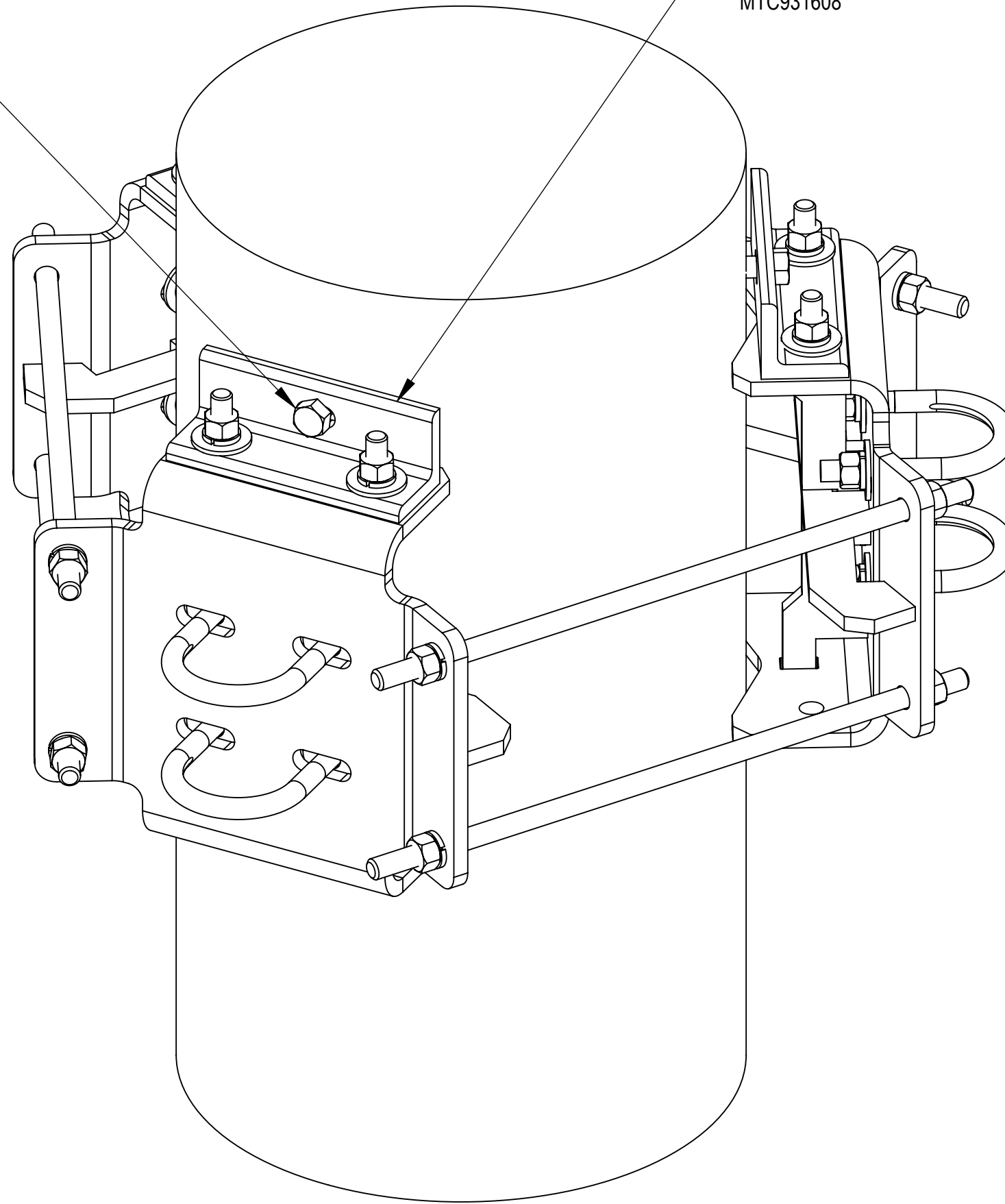
1

NOTES:

LAG BOLT OPTION

USE 1/2" X 3"
LAG BOLTS (GLS-0430)
IN PLACE OF
THREADED ROD.
ONE ON EACH
MOUNT.
TOTAL OF 3


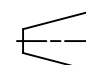
ADD ANGLE TO
EACH BRACKET
MTC931608



COMMSCOPE, INC. OF NORTH CAROLINA

TITLE
WOODPOLE RINGMOUNT, 6"-13"

SIZE C	SCALE 1:3	DOCUMENT NO. MTC9313613
------------------	---------------------	----------------------------

 	DRAWING			SHEET 3 OF 3
	VERSION 03	STATUS RE	REVISION B	

© 2019 CommScope, Inc.

4

3

2

1

D

D

C

C

B

B

A

A