

FACT FRAME

INSTALLATION INSTRUCTION: Overlength Bay Door Kit

COMMScope®

FACT FRAME OVERLENGTH BAY DOOR KIT

Contents

1.	General product information	2	5.	Mounting Grounding Spring.....	6
2.	Warnings and caution	2	6.	Mounting Door	7
3.	Kit content.....	3	7.	Trade-marks	12
4.	Mounting Door Supports	4	8.	Contact Information.....	12

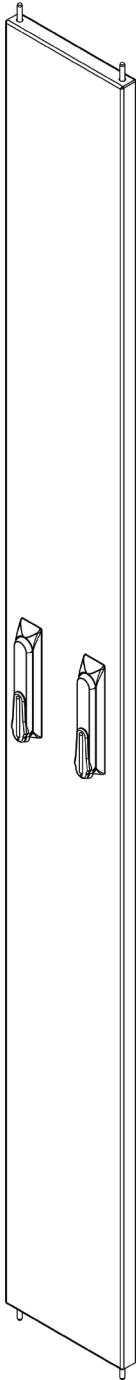
1. General product information

The FACT overlength bay kit door includes one door required for the overlength bay.

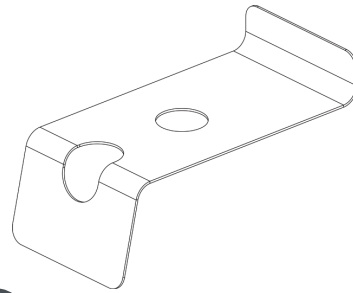
2. Warnings and caution

- Fiber optic cables may be damaged if bent or curved to a radius that is less than the recommended minimum bend radius. Always observe the recommended bend radius limit when installing fiber optic cables and patch cords.
- Exposure to laser radiation can seriously damage the retina of the eye. Do not look into the ends of any optical fiber. Do not assume the laser power is turned off or that the fiber is disconnected at the other end.

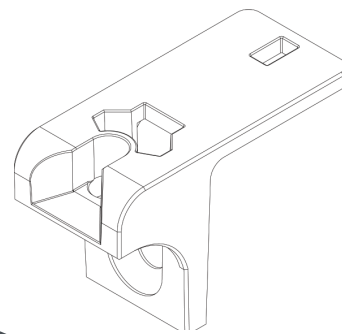
3. Kit content



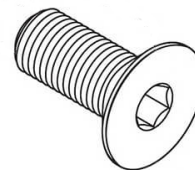
1x Door OLB



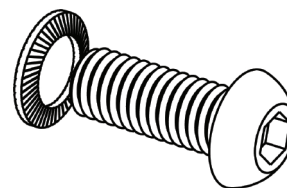
1x Door Grounding Spring



4x Door Support

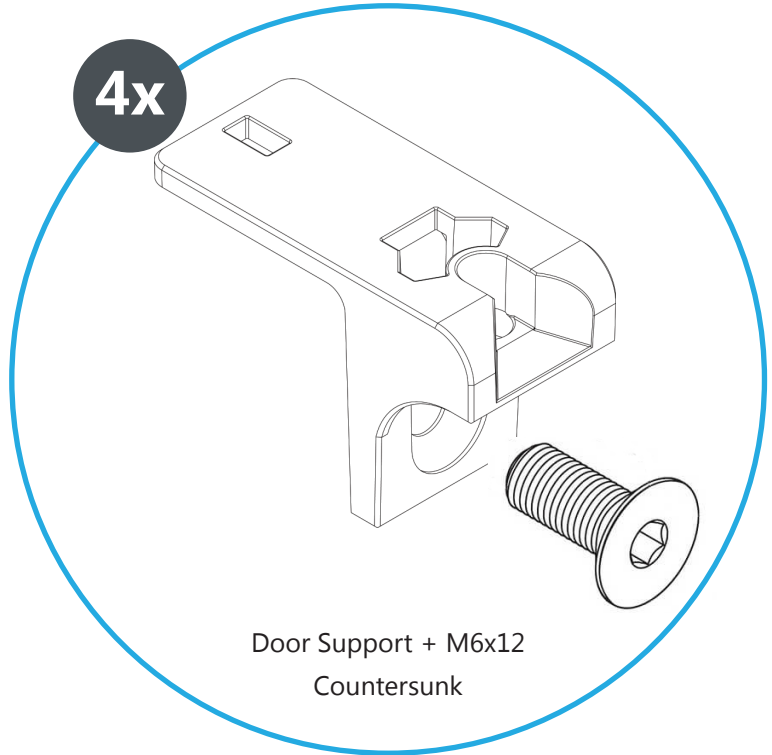
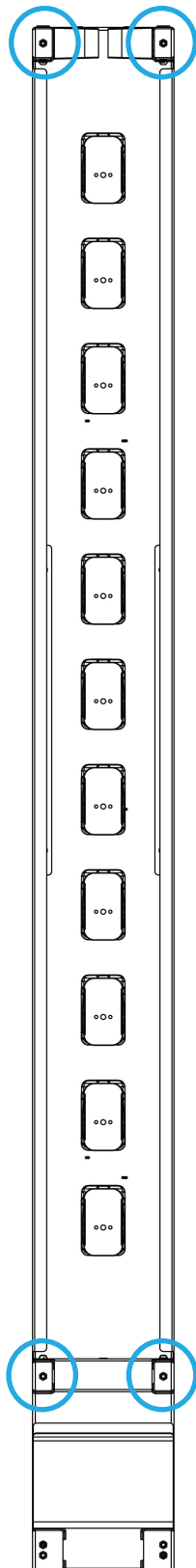


4x M6x12 Countersunk



1x M6 Bolt + Washer

4. Mounting Door Supports - Step 1

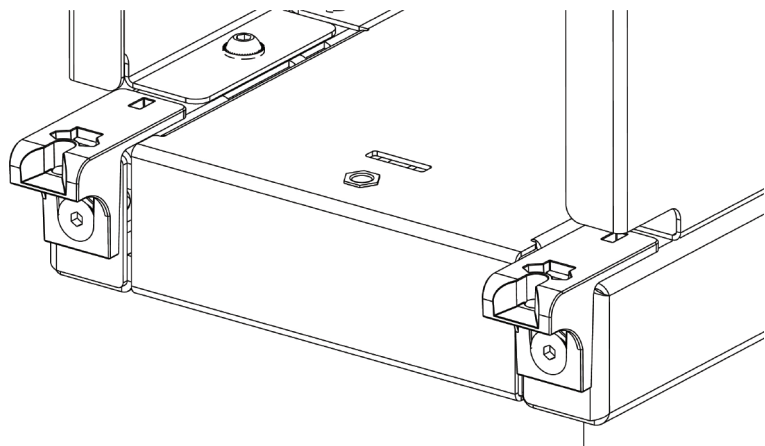
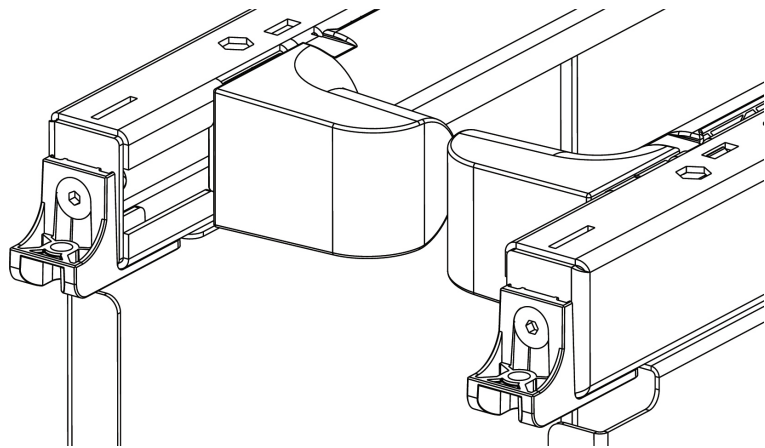
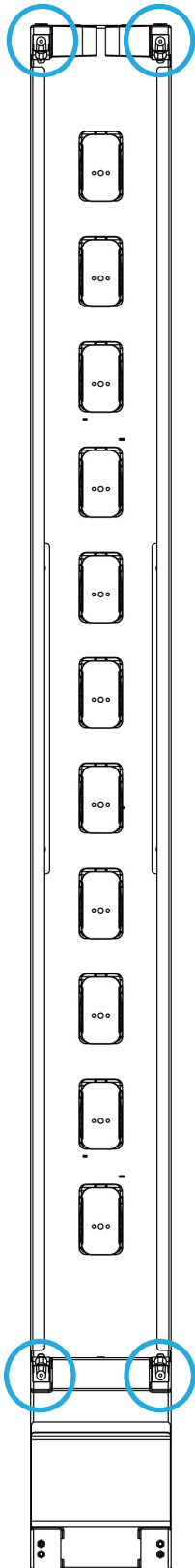


Door Support + M6x12
Countersunk

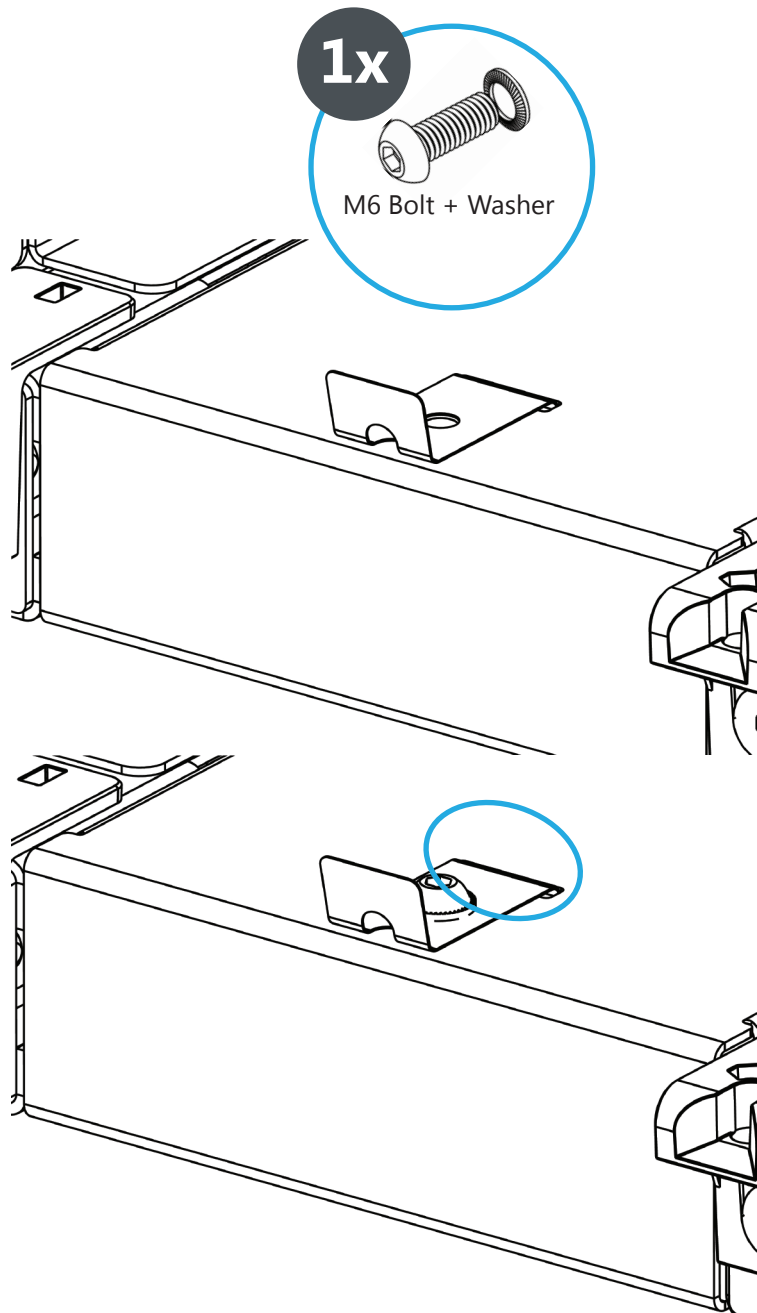
Step 1:

4 Door supports + M6 bolts are needed. Mount these at the circled areas.

4. Mounting Door Supports - Step 1



5. Mounting Grounding Spring - Step 2

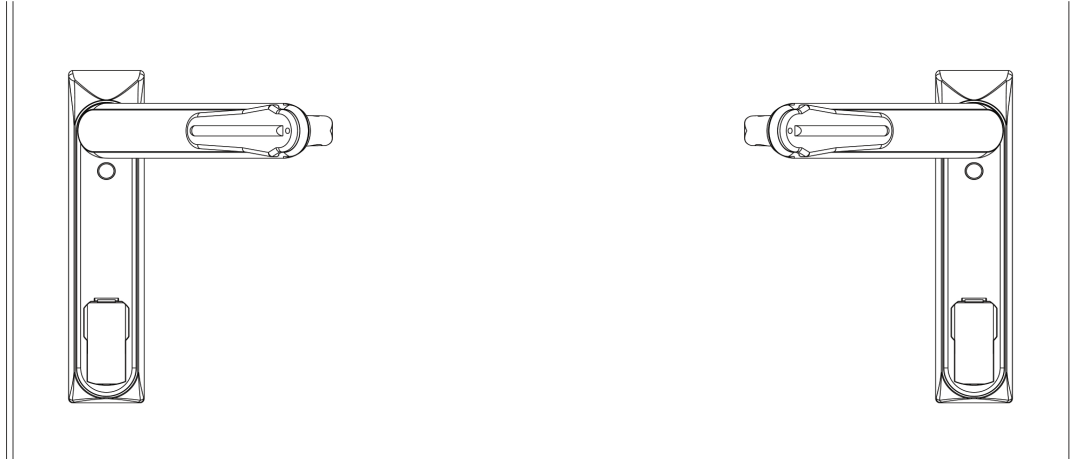


Step 2:

Mount the grounding spring at the bottom/middle of the frame. Use 1x M6 bolt + washer for this. Use the alignment feature to position the spring in the right position.

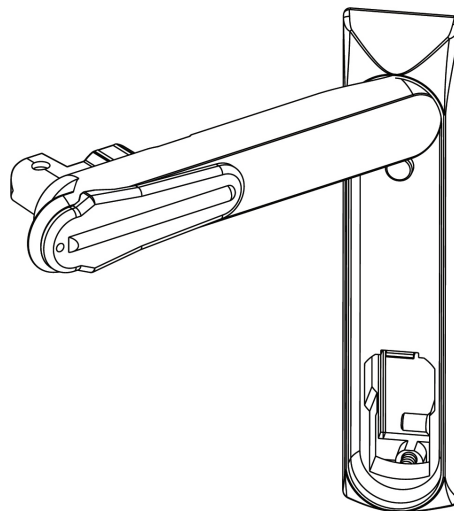
* This is for a top entry configuration. For a bottom entry configuration, this grounding spring will be mounted at the top/middle.

6. Mounting Door - Step 3

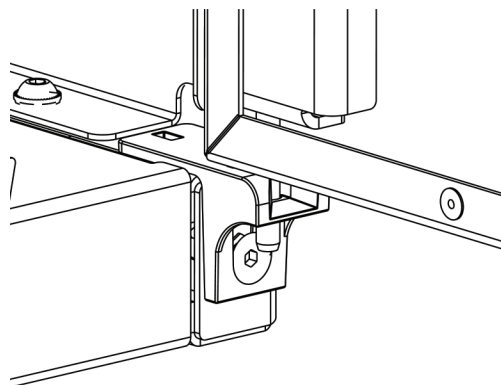
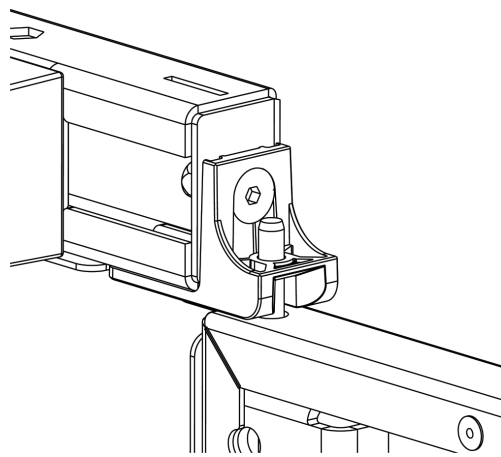
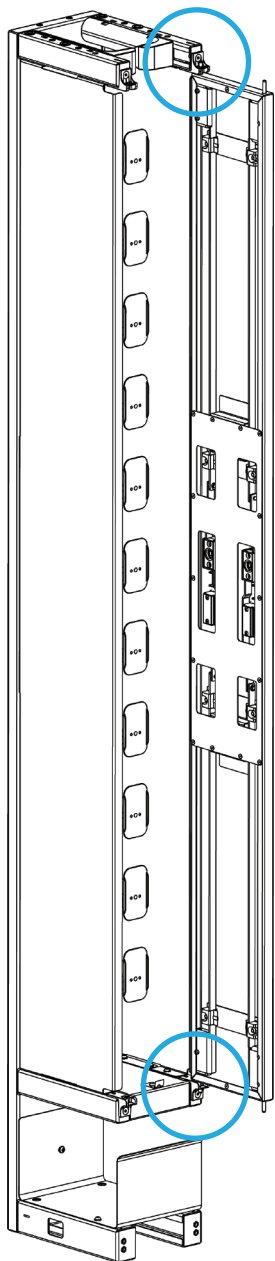


Step 3a:

Rotate the handles inwards (90°). The handles can be used to lift and align the door in the door supports.



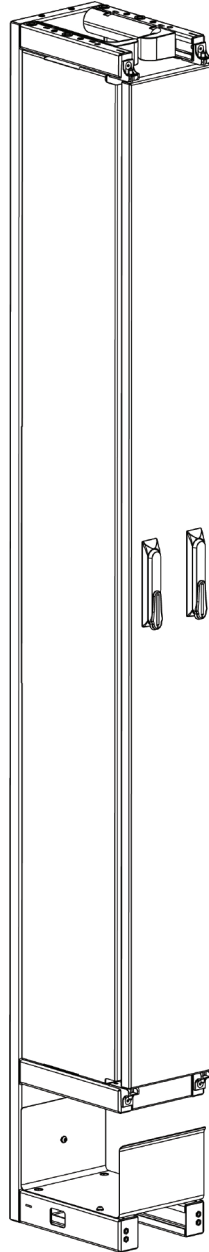
6. Mounting Door - Step 3



Step 3b:

Align the locking pins in the door support at the bottom and top, on one side of the door. Rotate the handle (of the side that is aligned with the door supports) back to its original position (90° down). The pins should lock into the holes.

6. Mounting Door - Step 3



Step 3c:

Close the door. Rotate the other handle to its original position (90° down). The door should be fully locked now.

7. Trade-marks:

All trademarks identified by ® or ™ are registered trademarks or trademarks, respectively, of CommScope, Inc. This document is for planning purposes only and is not intended to modify or supplement any specifications or warranties relating to CommScope products or services. CommScope is committed to the highest standards of business integrity and environmental sustainability, with a number of CommScope's facilities across the globe certified in accordance with international standards, including ISO9001, TL 9000, and ISO 14001. Further information regarding CommScope's commitment can be found at:
www.commscope.com/About-Us/Corporate-Responsibilityand-Sustainability.

8. Contact Information:

Visit our website or contact your local CommScope representative for more information.

For technical assistance, customer service, or to report any missing/damaged parts, visit us at:

<http://www.commscope.com/SupportCenter>

This product is covered by one or more U.S. patents or their foreign equivalents. For patents, see

www.commscope.com/ProductPatent/ProductPatent.aspx

© 2019 Commscope,
Inc. All Rights Reserved