

FACT FRAME

INSTALLATION INSTRUCTION: FACT FRAME To GR3 Transition Kit

COMMSCOPE®

FACT FRAME TO GR3 TRANSITION KIT

Contents

1.	General product information	2	6.	Slide frame into place	5
2.	Warnings and caution	2	7.	Connect GR3 with connection brackets	6
3.	Kit Content.....	3	8.	Mount transition piece	6
4.	Placement of the floor mount.....	4	9.	Trade-marks	8
5.	Mounting connection brackets on the frame	4	10.	Contact Information.....	8

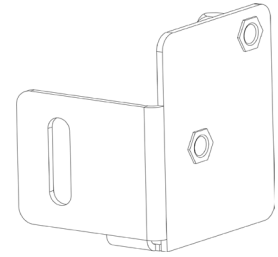
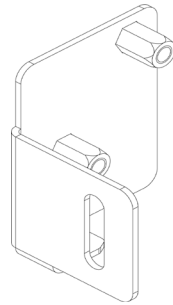
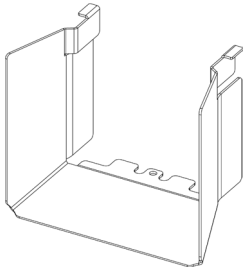
1. General product information

The FACT FRAME to GR3 transition kit is designed to combine installed GR3 Frames in a side to side installation with FACT Frames. This kit allows for a fluent transition from the GR3 bottom trough to the FACT FRAME bottom trough. This installation instruction explains how to connect a FACT FRAME CC-RHP frame to the right side of a GR3 rack. However, this kit can be used to connect GR3 with FACT FRAME CC-RHP, CC-LHP, OLB and IC frames on both left or right side.

2. Warnings and caution

- Fiber optic cables may be damaged if bent or curved to a radius that is less than the recommended minimum bend radius. Always observe the recommended bend radius limit when installing fiber optic cables and patch cords.
- Exposure to laser radiation can seriously damage the retina of the eye. Do not look into the ends of any optical fiber. Do not assume the laser power is turned off or that the fiber is disconnected at the other end.

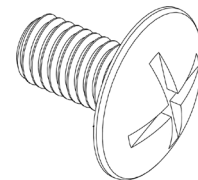
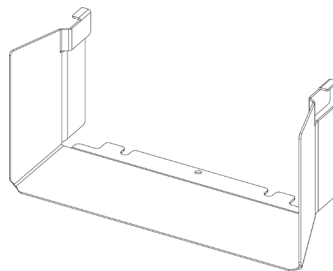
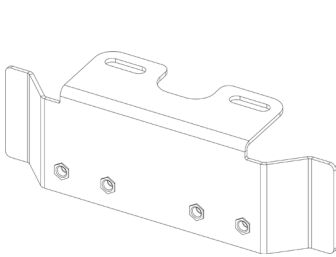
3. Kit Content



1x Small Transition Piece

1x Connection Bracket Bottom Left

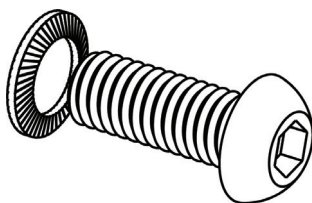
1x Connection Bracket Bottom Right



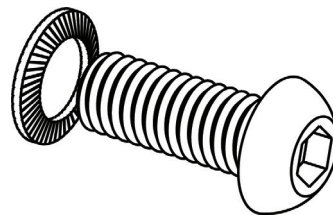
1x Connection Bracket Top

1x Wide Transition Piece

1x M5x12 (NFE25-129)

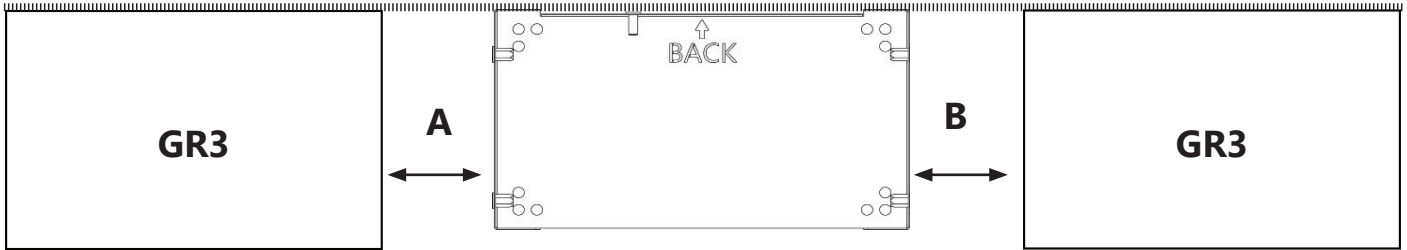


6x M5 Bolt+Washer



2x M6 Bolt+Washer

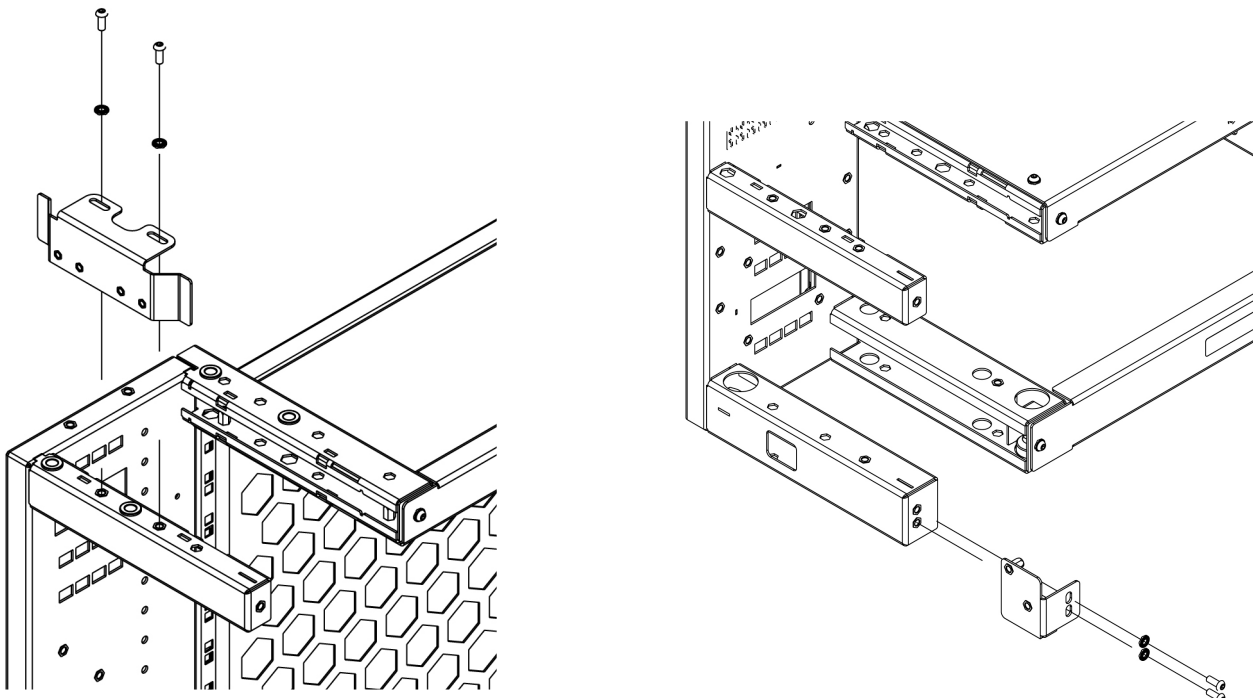
4. Placement of the floor mount - Step 1



	FACT FRAME CC-RHP	FRAME FRAME CC-LHP	FACT FRAME OLB
A	394mm	244mm	244mm
B	244mm	394mm	244mm

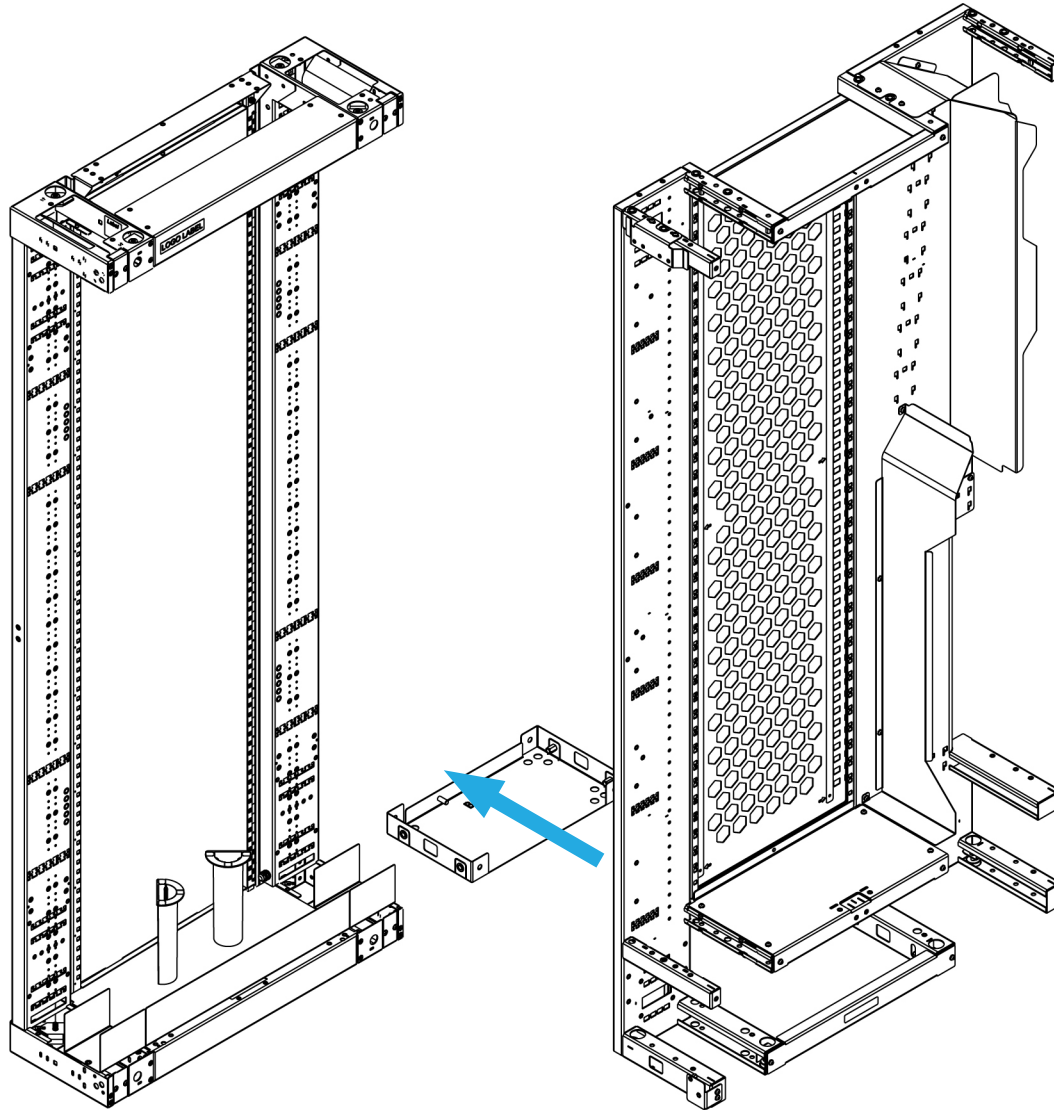
Step 1: The floor mount of the FRAME needs to be placed first (unless it is an overlength bay unit you will install). In the table below you can see the distance at which you need to place the floor mount from the GR3 rack. The back of the floor mount should be placed in line with the back of the GR3 rack.

5. Mounting connection brackets on the frame - Step 2



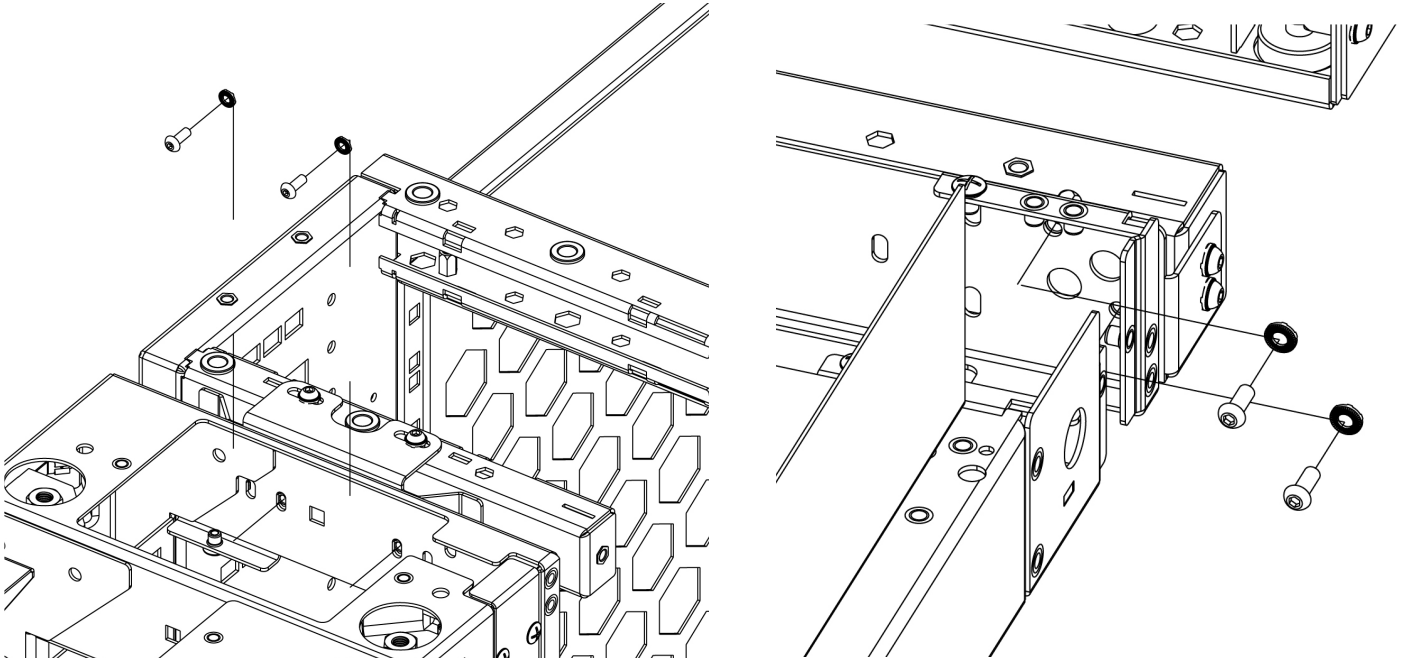
Step 2: Place a top connection bracket at the top beam and a bottom connection bracket at the bottom beam of the GR3 side. If the GR3 is placed on the left, use the left bottom connection bracket. If it is placed on the right, use the right bottom connection bracket. They have to be attached with the M6 washers and bolts that are available in the kit. Don't tighten the bolts just yet. That way it will be easier to align the brackets with the GR3 rack in the next step.

6. Slide frame into place- Step 3



Step 3: Slide the FACT FRAME over the floor mount. In case you are using an overlength bay unit, just slide it right next to the GR3 rack.

7. Connect GR3 with connection brackets - Step 4



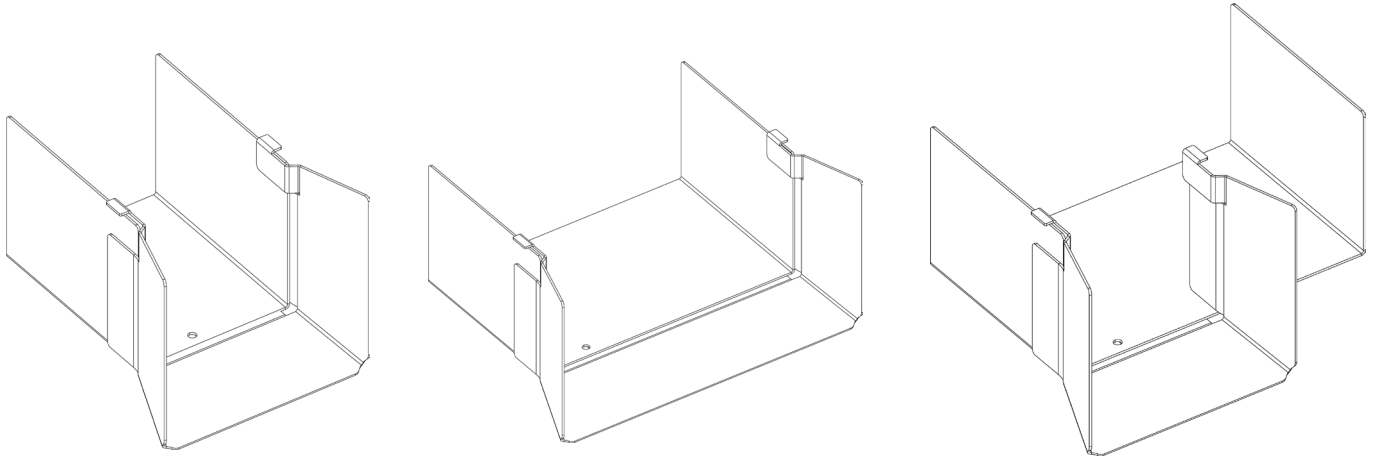
Step 4: Remove the GR3 bottom trough for access. Align the connection brackets with the holes in the GR3 rack and use bolts and washers to connect them to the FACT FRAME. To connect the GR3 rack with the frames you have to use the M5 washers and bolts from the kit for the top connection bracket and M6 washers and bolts for the bottom connection bracket. Now you can tighten all bolts.

NOTE: In case of the GR3-150 sideduct only one bolt can be installed because of the position of the press nuts.

8. Mount transition piece - Step 5

Step 5a: Place the transition piece of the bottom troughs. Look at the table below to see what piece you need to use. It depends on the depth of the trough of the GR3 rack and whether the cable protection cover is used in the bottom trough of the FRAME.

	FRAME - trough with cable cover	FRAME – trough without cable cover
GR3 - small trough	Small transition piece	Small transition piece
GR3 - wide trough	Small transition piece	wide transition piece



Step 5b: Slide the transition piece over the GR3 bottom trough as shown in the picture above. Place the bottom trough back in the GR3 rack and fasten the bolt again, clamping the transition piece underneath the bottom trough. Instead of the old bolt, use the new one from this kit. This one is a little bit longer.

9. Trade-marks:

All trademarks identified by ® or ™ are registered trademarks or trademarks, respectively, of CommScope, Inc. This document is for planning purposes only and is not intended to modify or supplement any specifications or warranties relating to CommScope products or services. CommScope is committed to the highest standards of business integrity and environmental sustainability, with a number of CommScope's facilities across the globe certified in accordance with international standards, including ISO9001, TL 9000, and ISO 14001. Further information regarding CommScope's commitment can be found at:
www.commscope.com/About-Us/Corporate-Responsibilityand-Sustainability.

10. Contact Information:

Visit our website or contact your local CommScope representative for more information.

For technical assistance, customer service, or to report any missing/damaged parts, visit us at:

<http://www.commscope.com/SupportCenter>

This product is covered by one or more U.S. patents or their foreign equivalents. For patents, see

www.commscope.com/ProductPatent/ProductPatent.aspx

© 2020 Commscope,
Inc. All Rights Reserved