

1.0 GENERAL NOTES

- 1.1 ALL METRIC DIMENSIONS ARE IN BRACKETS [X.X]
- 1.2 FOR PATENT INFO: <https://www.cs-pat.com>

2.0 DESIGN NOTES

2.1 ANY HAZARDS OR OBSTRUCTIONS TO THE CLIMBING FACILITY AND SAFETY CLIMB MUST BE IDENTIFIED PRIOR TO INSTALLING THE APPURTENANCE. ADDITIONAL PRODUCTS MAY BE REQUIRED TO MAINTAIN THE INTEGRITY OF THE SAFETY CLIMB. DURING INSTALLATION, TEMPORARY AND/OR PERMANENT PRECAUTIONARY MEASURES SHOULD BE TAKEN TO PRESERVE THE CLIMBING FACILITY AND/OR SAFETY CLIMB.

2.2 FITS MONOPOLES 15" TO 50" OD.

2.3 MIN RECOMMENDED POLE THICKNESS 3/16"

3.0 MANUFACTURING/SPECIAL REQUIREMENTS

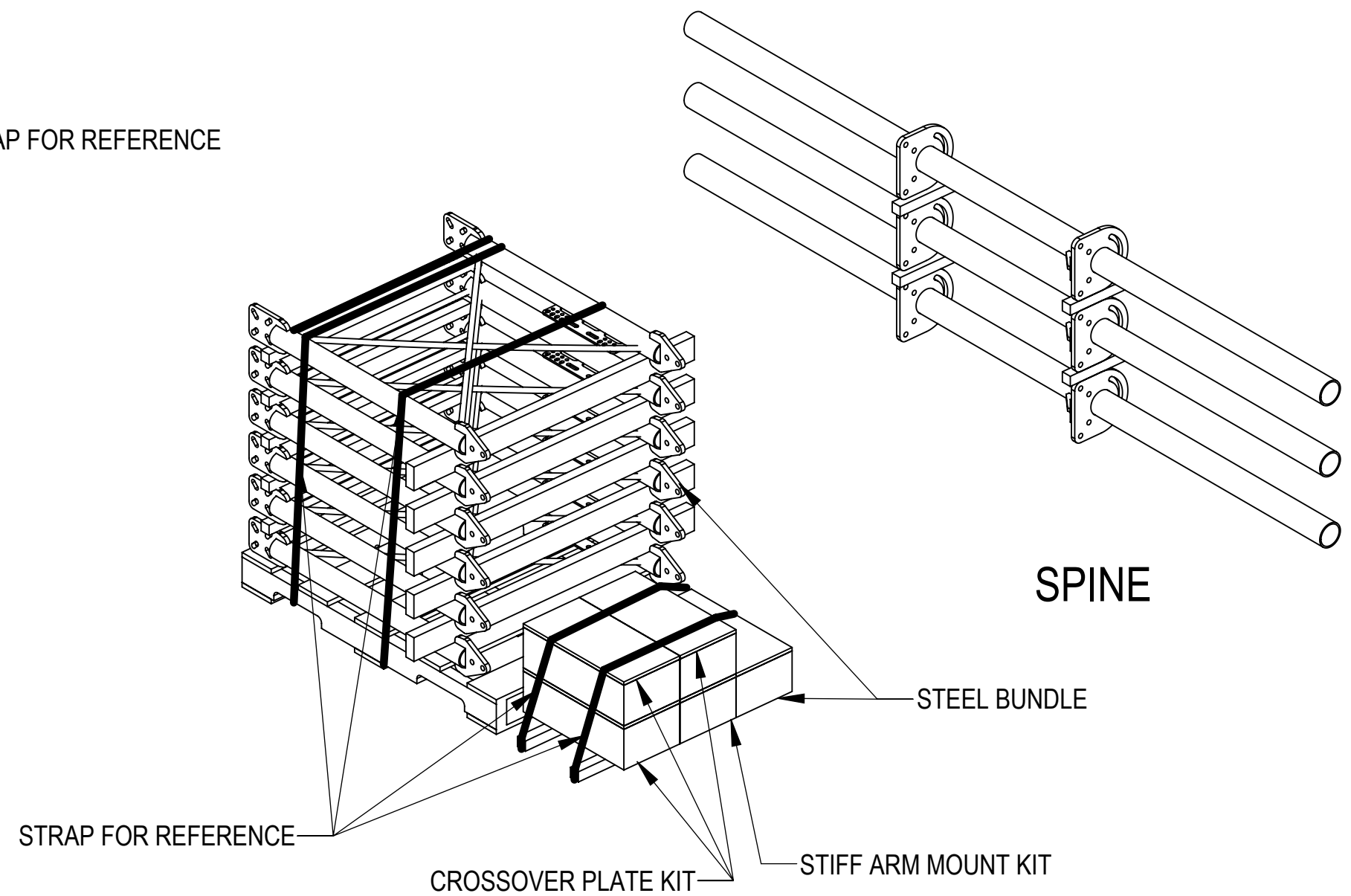
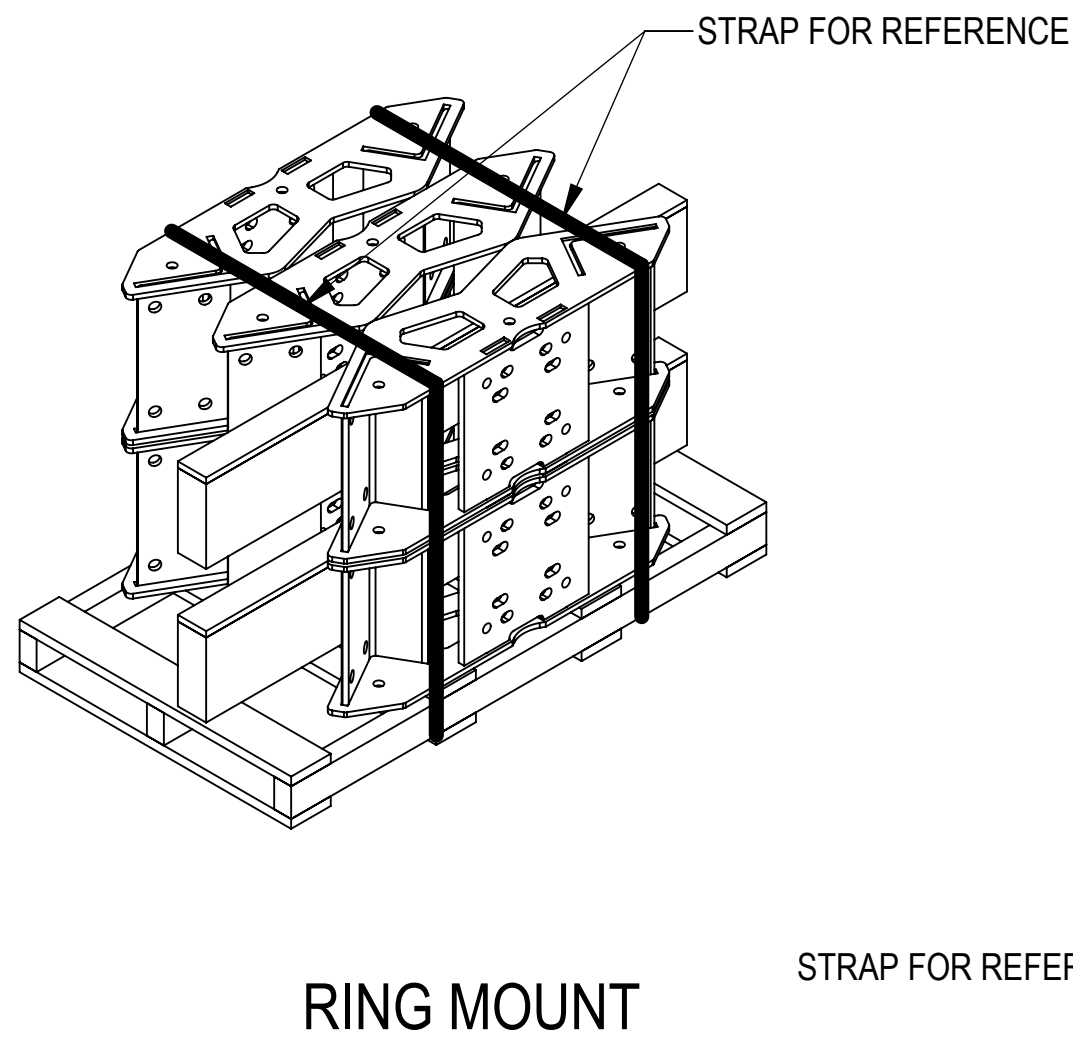
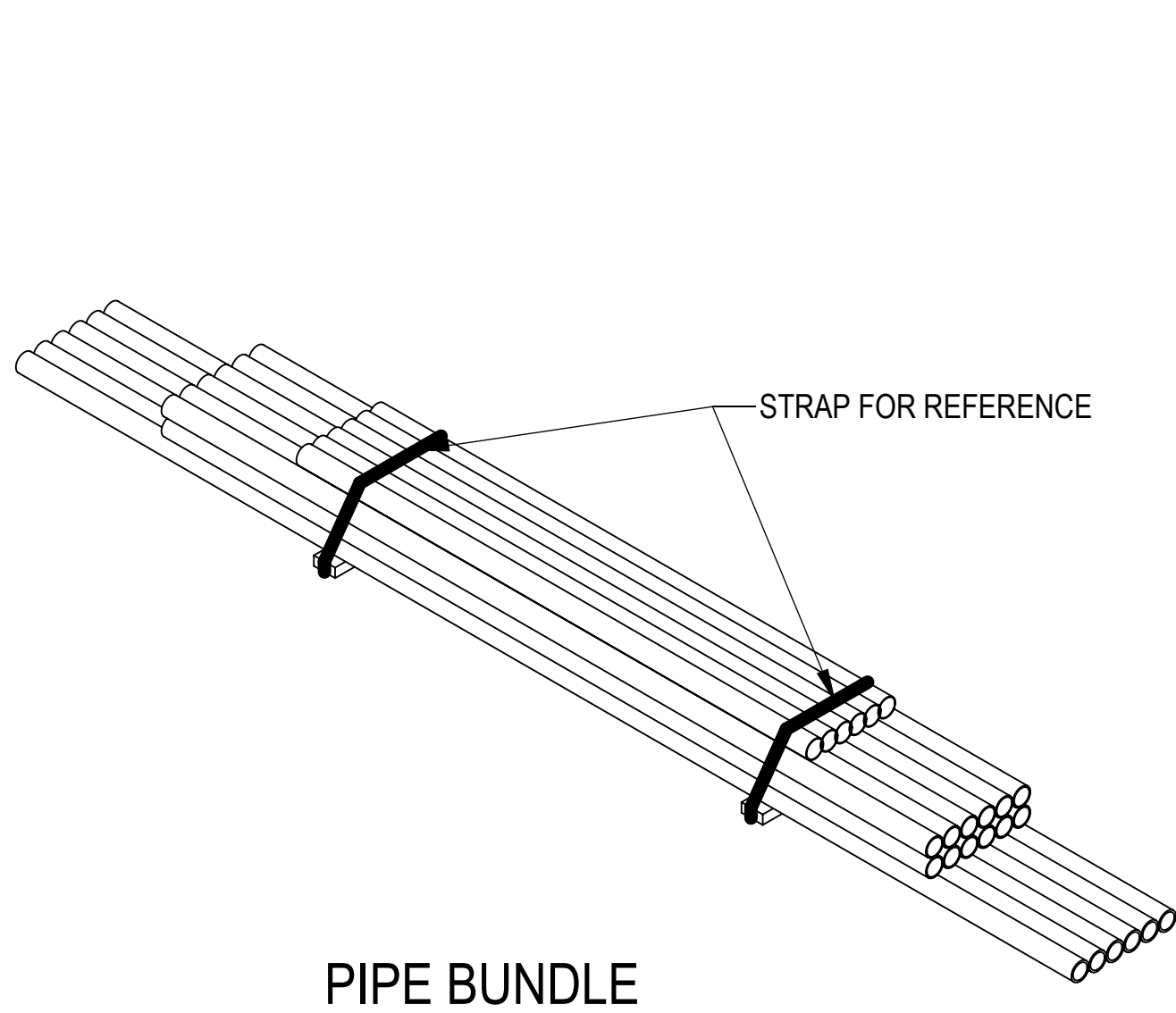
3.1 TIGHTEN ALL BOLTS SECURING FLAT PLATES BY THE TURN-OF-NUT METHOD. TIGHTEN ALL U-BOLTS USING TURN-OF-NUT METHOD WITH ATTENTION TO LEAVE EQUAL DISTANCE AND EQUAL FORCE ON EACH LEG OF THE U-BOLT.

4.0 TEST

5.0 PACKAGING

- 5.1 PACKAGING SHALL MEET COMMSCOPE REQUIREMENTS PER DOCUMENT IS-PL-3005.
- 5.2 PRINTED DOCUMENT TO BE PLACED INSIDE POLYBAG AND THEN IN SHIPPING CONTAINER.
- 5.3 EXTRA HARDWARE MAY BE SUPPLIED, BAGGED AND SHIPPED.

REVISIONS			
REV.	DESCRIPTION	DATE	APPROVED
A	INITIAL RELEASE	MRC 27JAN21	BCROSS 10256
B	CORRECTED INSTALLATION OF TIE BACK CORRECT TORQUE NOTES, CHANGED GRAPHIC TO REPRESENT	ZX1005 22OCT21	BCROSS 15083
C	MCG22HDX SERIES BOM STANDARDIZATION, UPDATED TOP MID ON DRAWING	YX1027 31MAY22	BCROSS 40149023CMO
D	SFG2398 WAS SFG2350	YMENG 05JAN24	YW1045 40185676CMO
E	SHHET 2: ADDED MCG23RHDX-13MB, MCG23RHDX-15MB, MCG23RHDX-15M12120 & MCG23RHDX-15M15120	JL1183 07MAY24	CB1094 40194988CMO
F	UPDATED SFG23175 TO ADD UNIVERSAL INTERFACE PLATES	YX1027 29AUG24	BA1025 40202715CMO



COMMSCOPE, INC. OF NORTH CAROLINA											
TOLERANCES						SAP MATERIAL MASTER					
1 PLACE .X[X] ± .25[6.3]			3 PLACE .XXX[X] ± .060[1.5]			SEE TABLE 1					
2 PLACE .XX[X] ± .12[3.0]			ANGLES ± 2°								
FINISH						MATERIAL					
UNLESS OTHERWISE SPECIFIED DIMENSIONS ARE IN INCHES INTERPRET PER ANSI Y 14.5M-1994	CE	ES1081	12/04/20	TITLE							
	RW	YX1027	09/05/2024	MCG23RHDX SERIES							
	AD	XK1001	09/05/2024	SCALE							
	RE	YC1015	09/14/2024	DOCUMENT NO.							
	ECN 40202715CMO			1:16			MCG23RHDX				
DENSITY	lbs/in³										
MASS	lbs										
VOLUME	in³										
SURFACE AREA	in²										
HEIGHT	326 mm	SIZE	Auth Group	INSL	MODEL			DRAWING			SHEET
LENGTH	131 mm	C	⊕	▱	VERSION	STATUS	REVISION	VERSION	STATUS	REVISION	1 OF 10
WIDTH	107 mm				04	RE	C	06	RE	F	

D

D

C

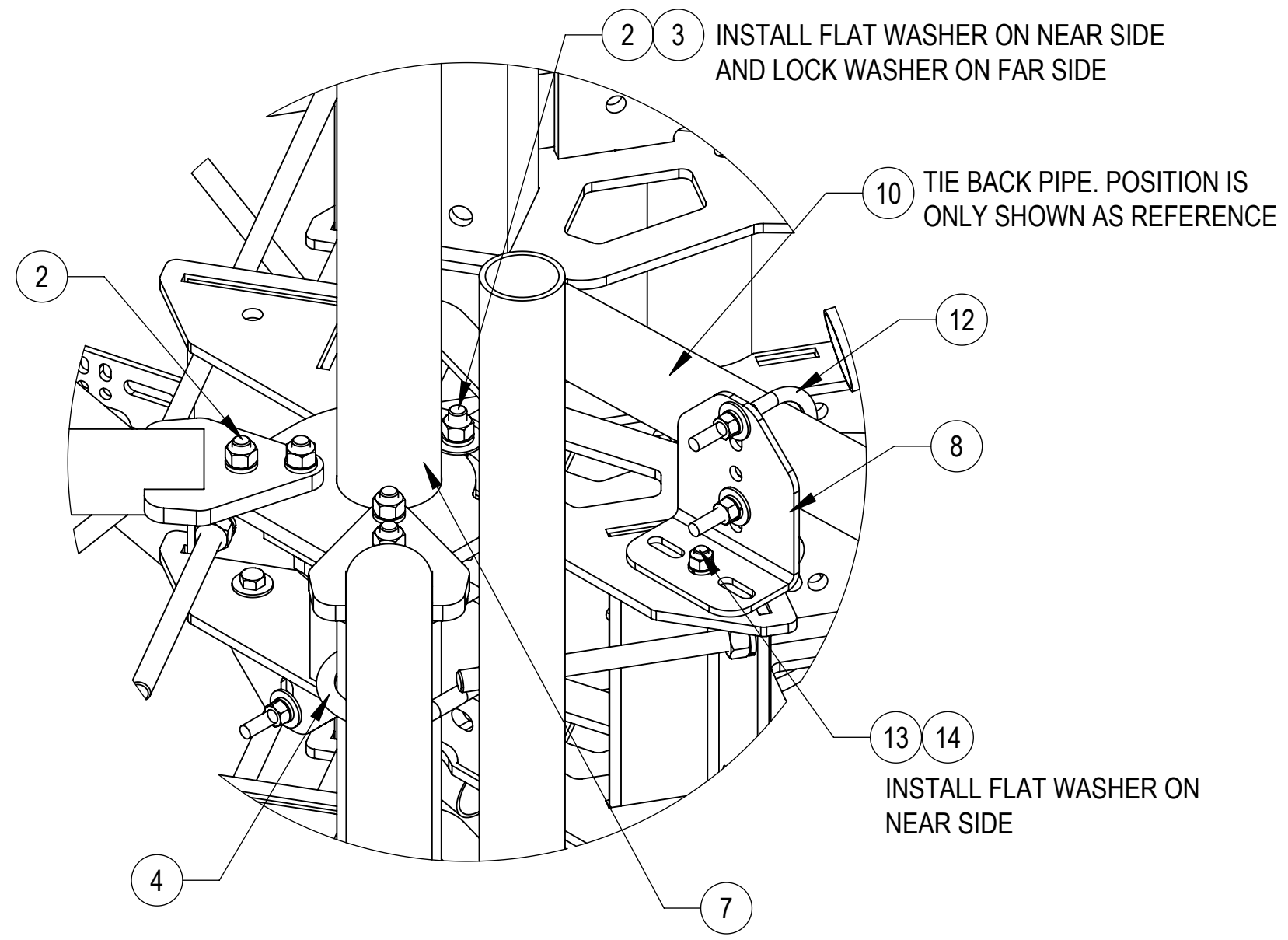
C

B

B

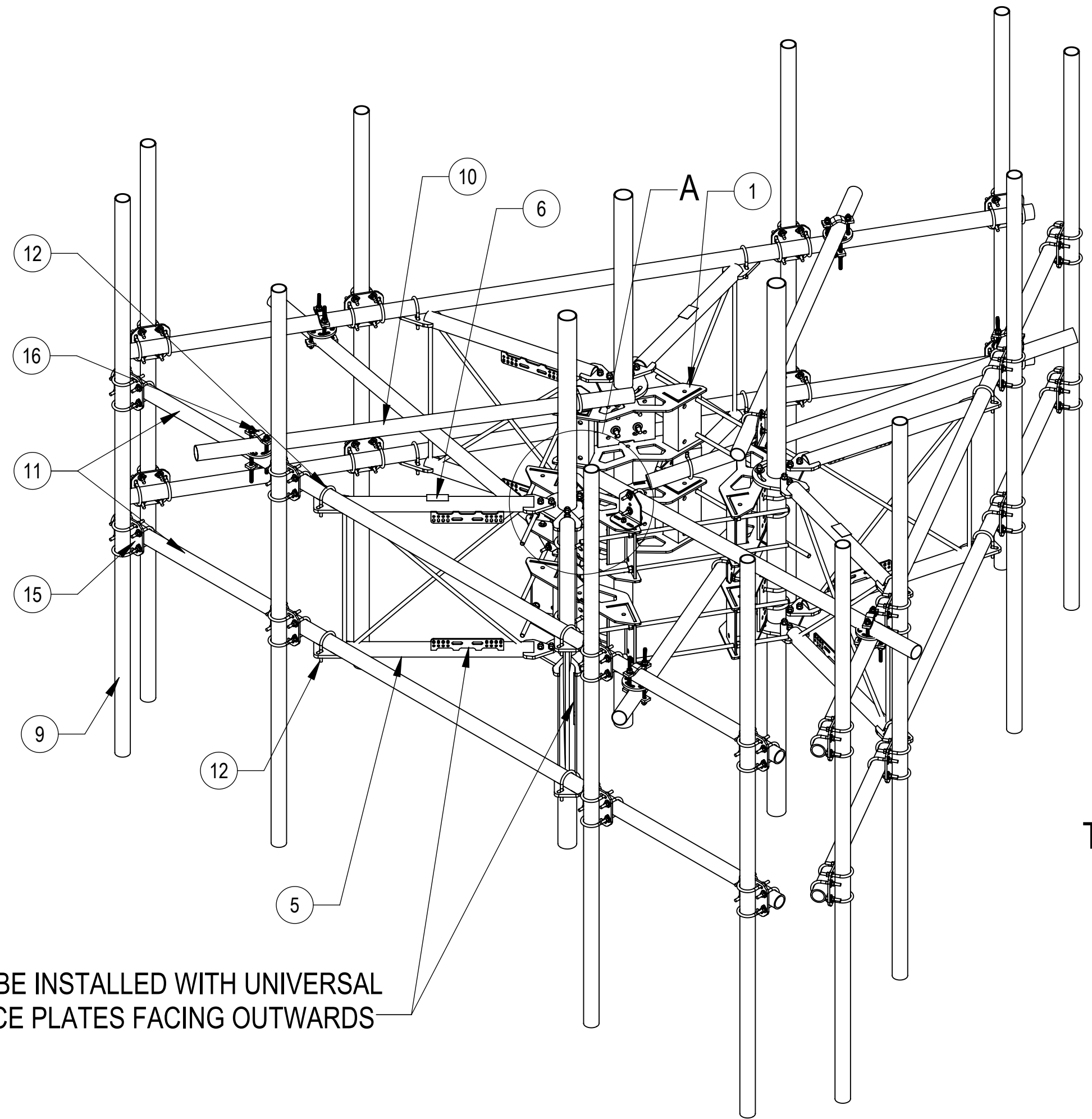
A

A

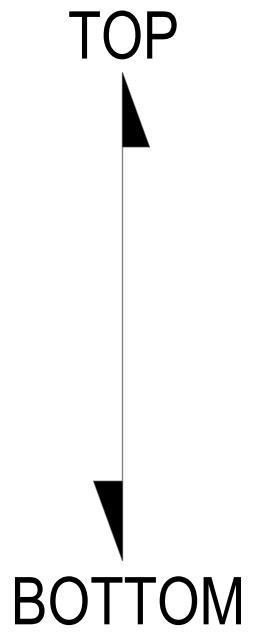


DETAIL A
SCALE 1 : 5

MCG23RHDX-14M12126 SHOWN FOR REFERENCE
(NOT ALL CONFIGURATIONS INCLUDE ALL ITEMS SEE NOTES IN TABLE)



SHOULD BE INSTALLED WITH UNIVERSAL
INTERFACE PLATES FACING OUTWARDS

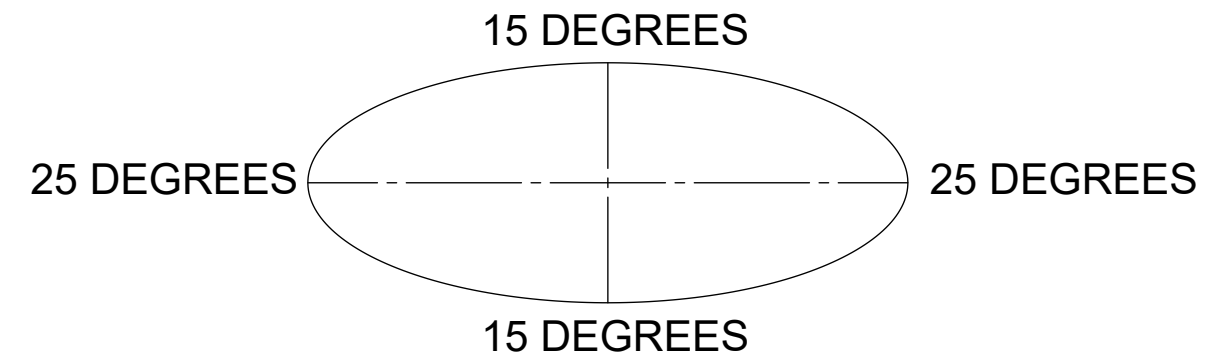


COMPONENT PART NUMBERS PROVIDED FOR ASSEMBLY PURPOSES;
INDIVIDUAL COMPONENTS MAY BE SHIPPED AS PARTS WITHIN AN INCLUDED KIT.

ITEM	PART NO.	DESCRIPTION	QTY.	WEIGHT	NOTE NO.
1	MC-RM1550-3	15" - 50" OD RINGMOUNT	2	229.90 LBS	
2	GB-05225	5/8" X 2-1/4" GALV BOLT KIT	30	0.28 LBS	
3	GWF-05	5/8" GALV FLAT WASHER, 1.7OD	6	0.06 LBS	
4	GUB-53560	5/8" X 3-5/8" X 6" GALV U-BOLT	12	1.30 LBS	
5	SFG23175	ARM STANDOFF SFG23	6	66.67 LBS	
6	SFG2398	LABEL, SFG23RHDX	3	0.04 LBS	
7	SFG2204	WELDMENT, BACK VERTICAL ARM MOUNT	3	97.29 LBS	
8	XAU01	ANGLE, CROSSOVER, 1.9-3.5" X 1.9-3.5" OD	6	2.98 LBS	
9	MT-546-126	PIPE, 2.875"OD X 126"	12	61.05 LBS	PART NO. AND QTY SEE INDIVIDUAL DRAWING
10	MT546084120	2.88" OD X 84" LONG PIPE	6	24.81 LBS	
11	MT546174276	PIPE, 2.875"OD X 174"	6	111.49 LBS	PART NO. SEE INDIVIDUAL DRAWING
12	GUB-4352	1/2" X 3" X 5-1/4" GALV U-BOLT	18	0.71 LBS	
13	GB-04145	1/2" X 1-1/2" GALV BOLT KIT	6	0.13 LBS	
14	GWF-04	1/2" GALV FLAT WASHER	6	0.04 LBS	
15	XP-2525	CROSSOVER PLATE KIT, 2-7/8 OD X 2-7/8 OD	24	8.37 LBS	QTY SEE INDIVIDUAL DRAWING
16	XP-R	CROSSOVER PLATE, ROUND, UP TO 3.5" OD	6	6.20 LBS	

ALLOWABLE TIEBACK ANGLE

± 15 DEGREES VERTICAL
± 25 DEGREES HORIZONTAL



COMMSCOPE, INC. OF NORTH CAROLINA				
TITLE MCG23RHDX SERIES				
SIZE C	SCALE 1:32	DOCUMENT NO. MCG23RHDX		
DRAWING		VERSION	STATUS	REVISION
		06	RE	F
				SHEET 3 OF 10

4

3

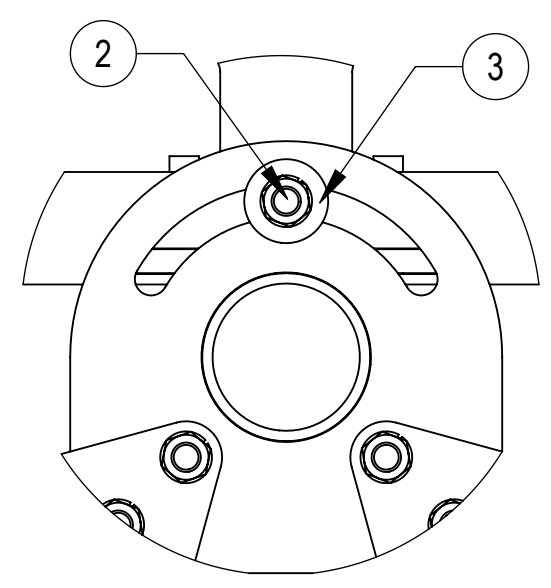
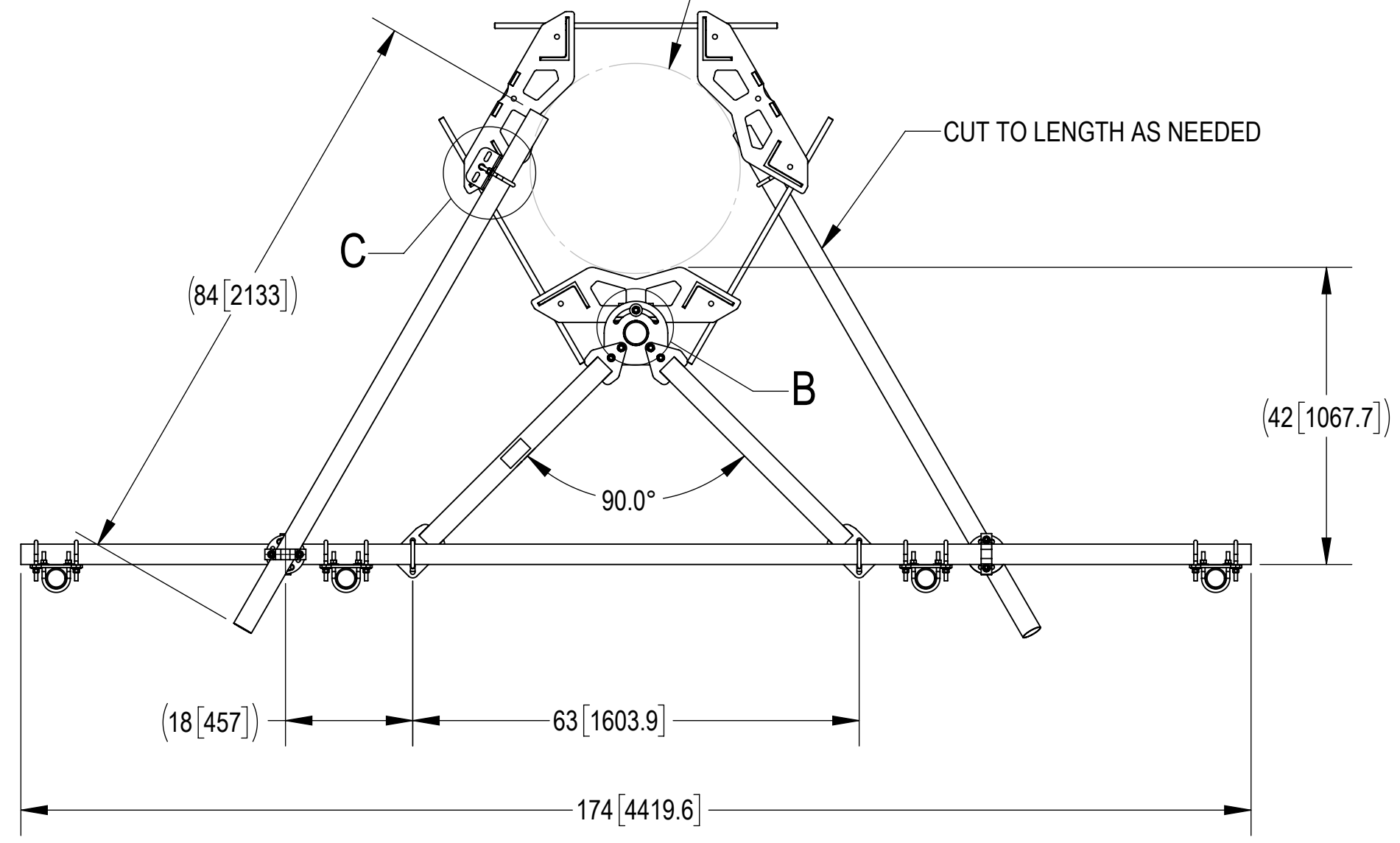
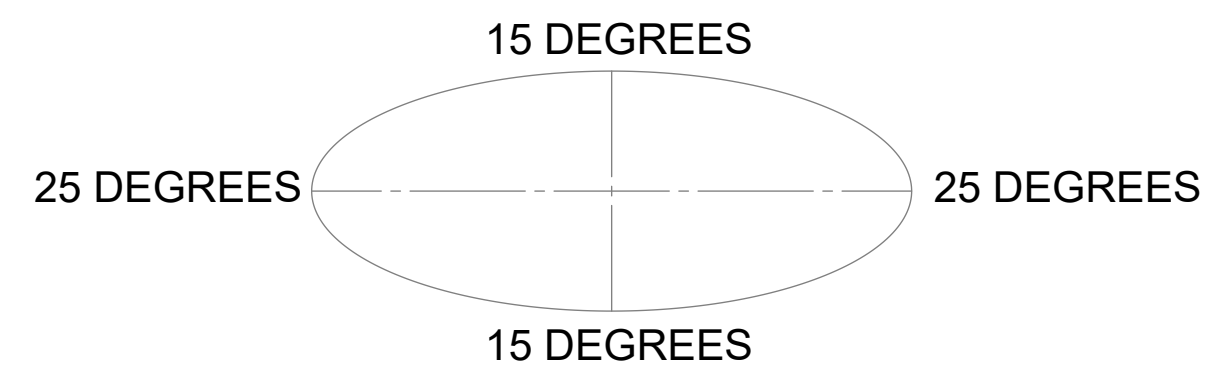
2

1

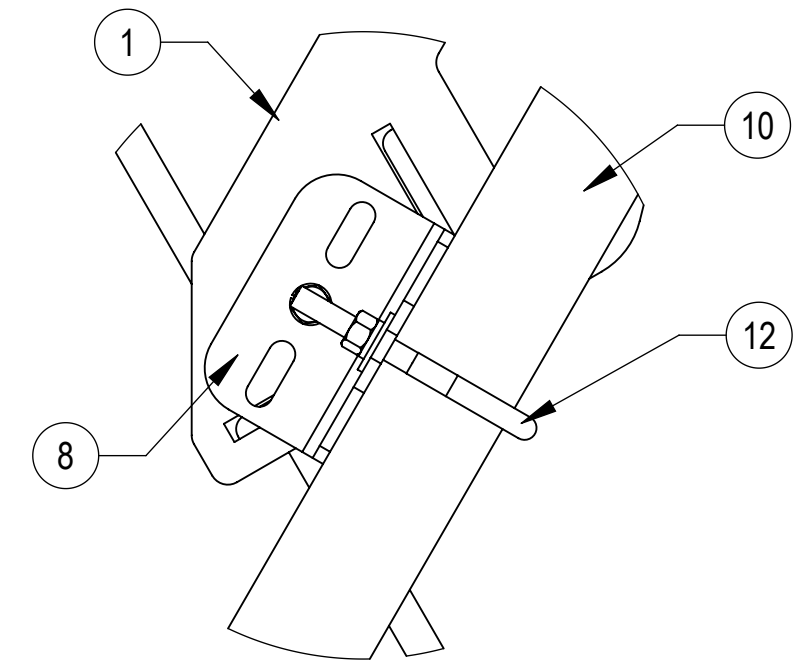
- 10'6" FACE MODELS: 15" - 50" OD MONOPOLE
- 12'6" FACE MODELS: 15" - 50" OD MONOPOLE
- 14'6" FACE MODELS: 25" - 50" OD MONOPOLE
- 13' FACE NO ANT PIPES MODELS: 15" - 50" OD MONOPOLE
- 15' FACE NO ANT PIPES MODELS: 30" - 50" OD MONOPOLE
- 15' FACE 12 ANT PIPES MODELS: 45" - 50" OD MONOPOLE
- 15' FACE 15 ANT PIPES MODELS: 38" - 50" OD MONOPOLE

ALLOWABLE TIEBACK ANGLE

±15 DEGREES VERTICAL
±25 DEGREES HORIZONTAL

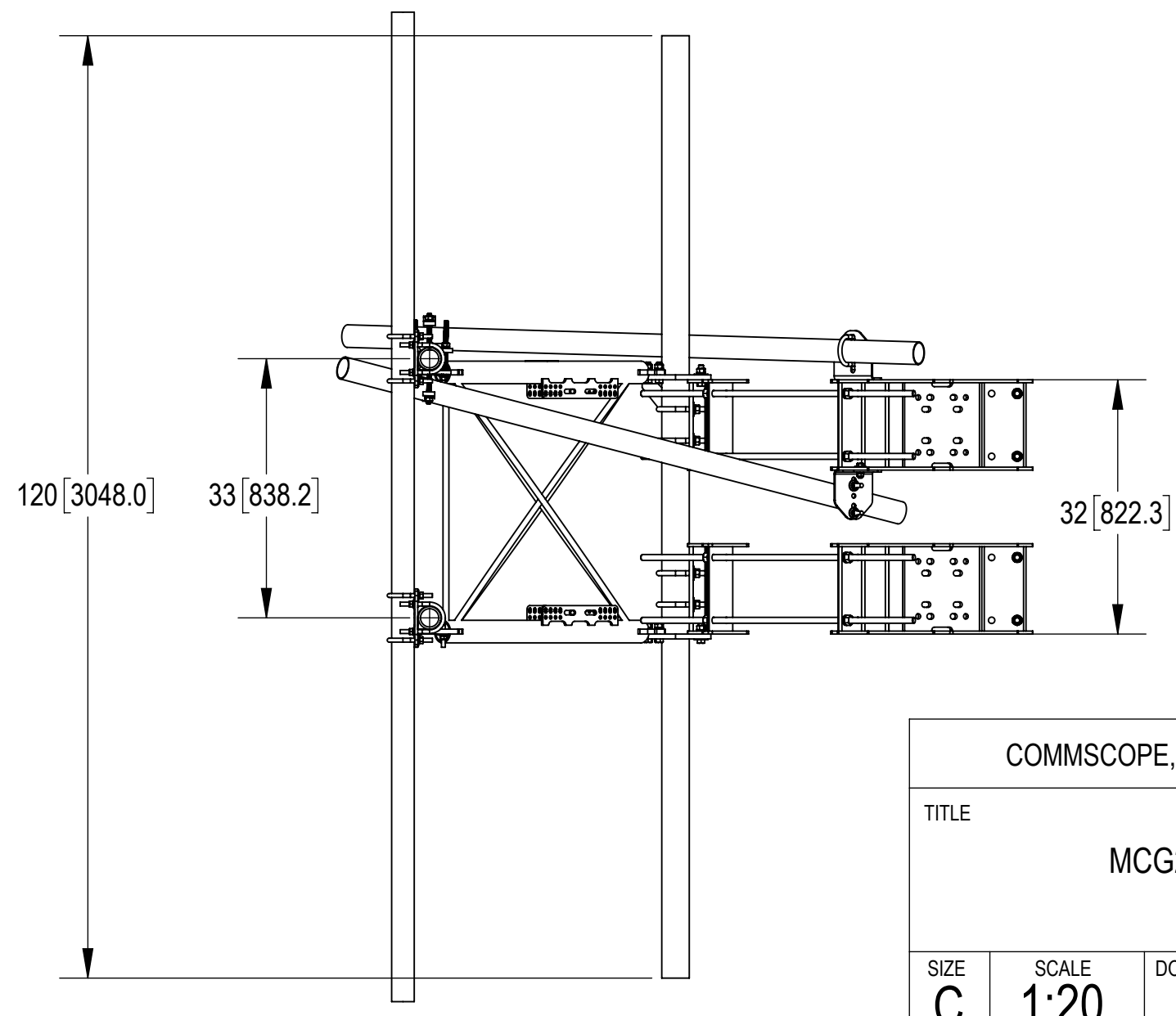
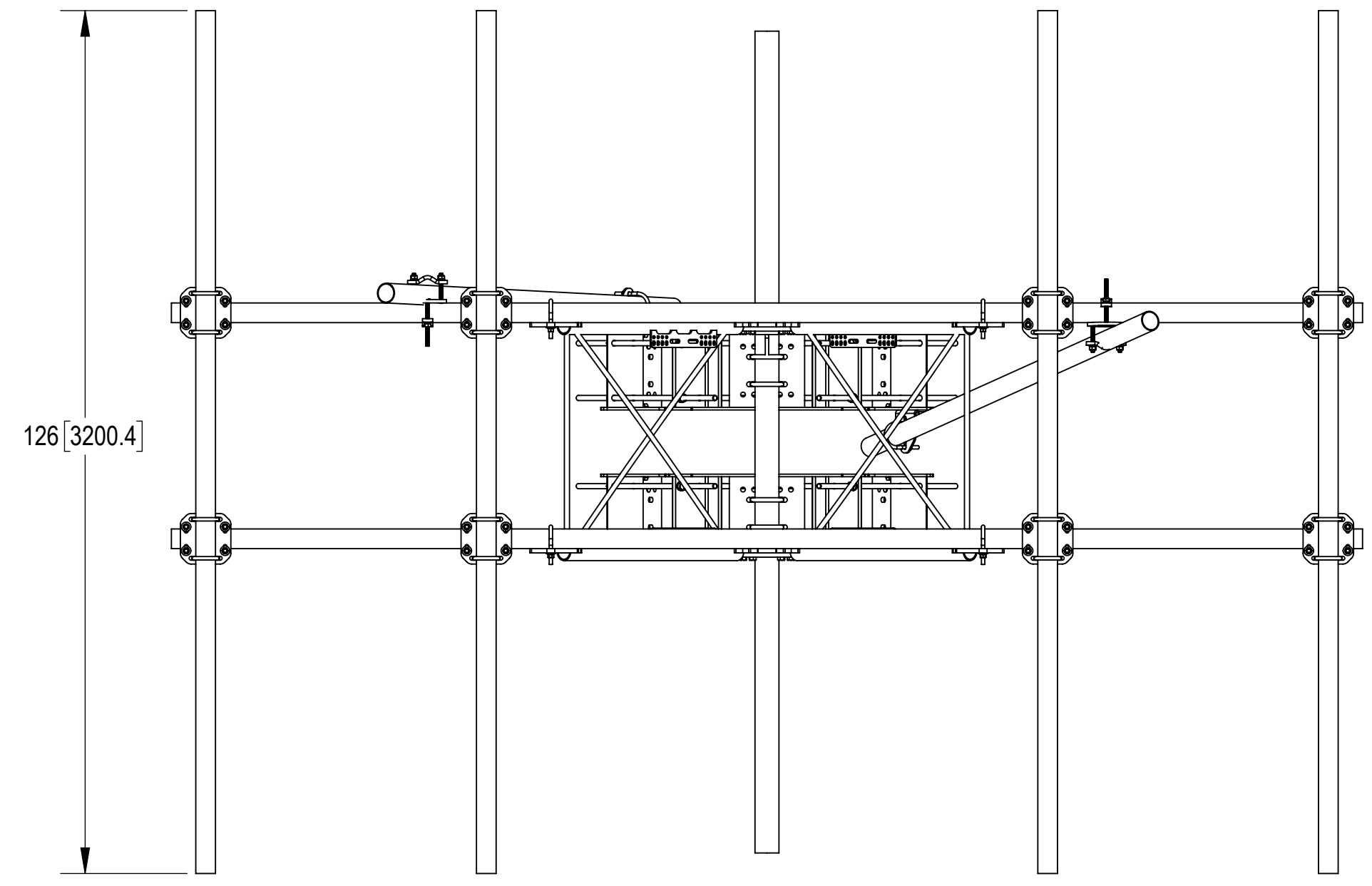


DETAIL B
SCALE 1 : 4



DETAIL C
SCALE 1 : 4

MCG23RHDX-14M12126 SHOWN FOR REFERENCE
(NOT ALL CONFIGURATIONS INCLUDE ALL ITEMS SEE NOTES IN TABLE ON SHEET 3)



TOP
BOTTOM

COMMSCOPE, INC. OF NORTH CAROLINA				
TITLE MCG23RHDX SERIES				
SIZE C	SCALE 1:20	DOCUMENT NO. MCG23RHDX		
		DRAWING		SHEET
		VERSION	STATUS	REVISION
		06	RE	F
				4 OF 10

4

3

2

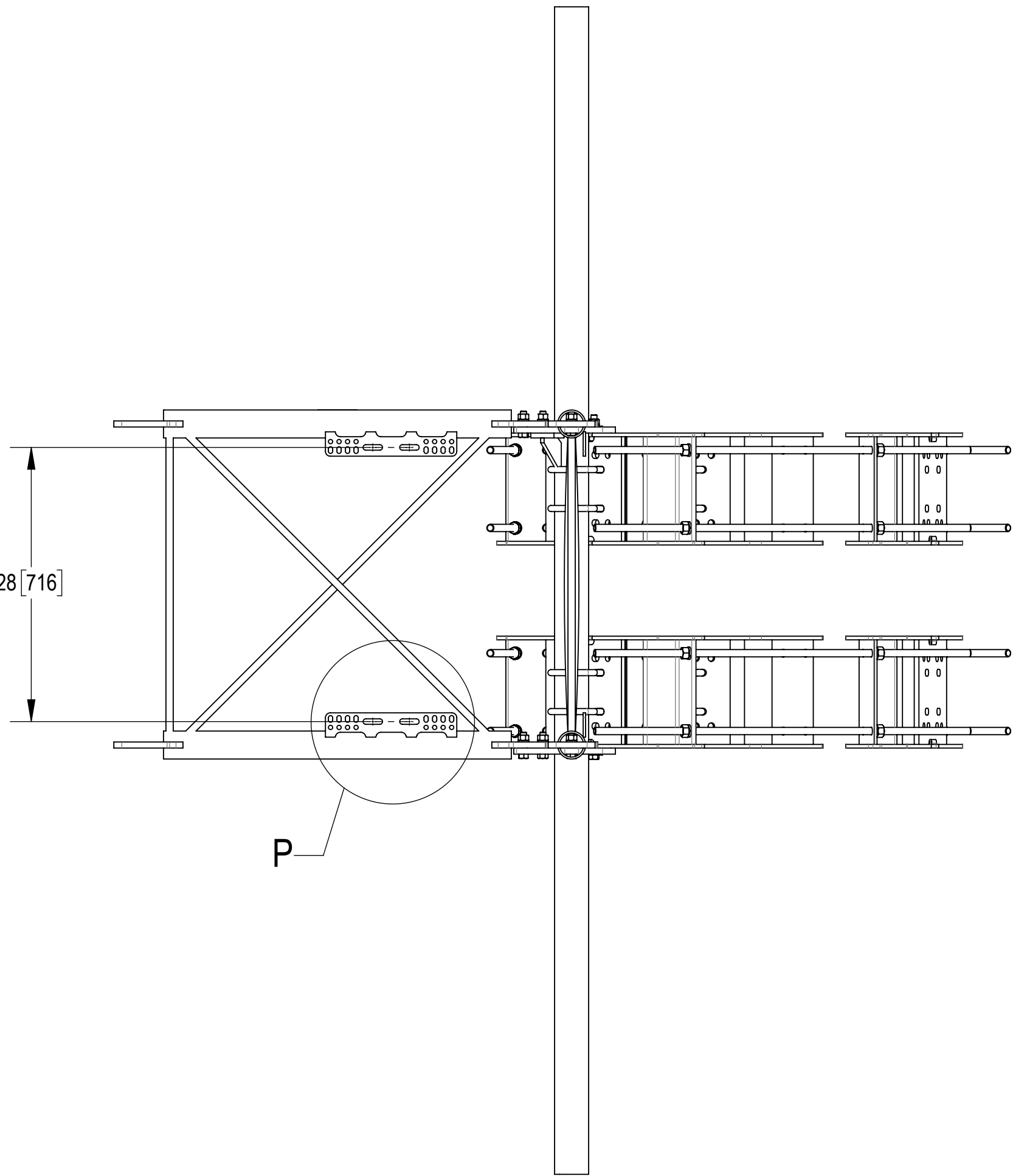
1

4

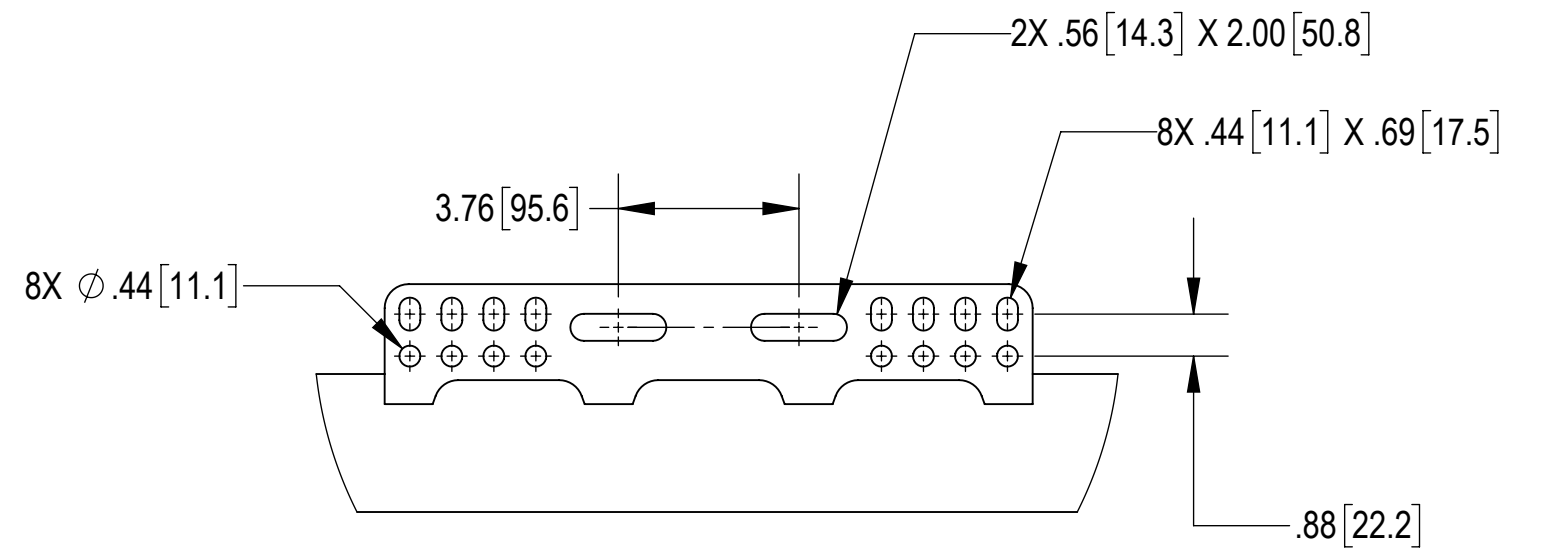
3

2

1



SIDE VIEW



DETAIL P
SCALE 1 : 4

COMMSCOPE, INC. OF NORTH CAROLINA

TITLE
MCG23RHDX SERIES

SIZE C	SCALE 1:32	DOCUMENT NO. MCG23RHDX
------------------	----------------------	----------------------------------

	DRAWING			SHEET 5 OF 10
	VERSION 06	STATUS RE	REVISION F	

© 2024 CommScope, Inc. Confidential

4

3

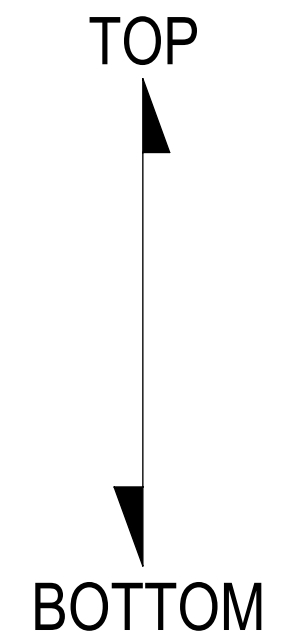
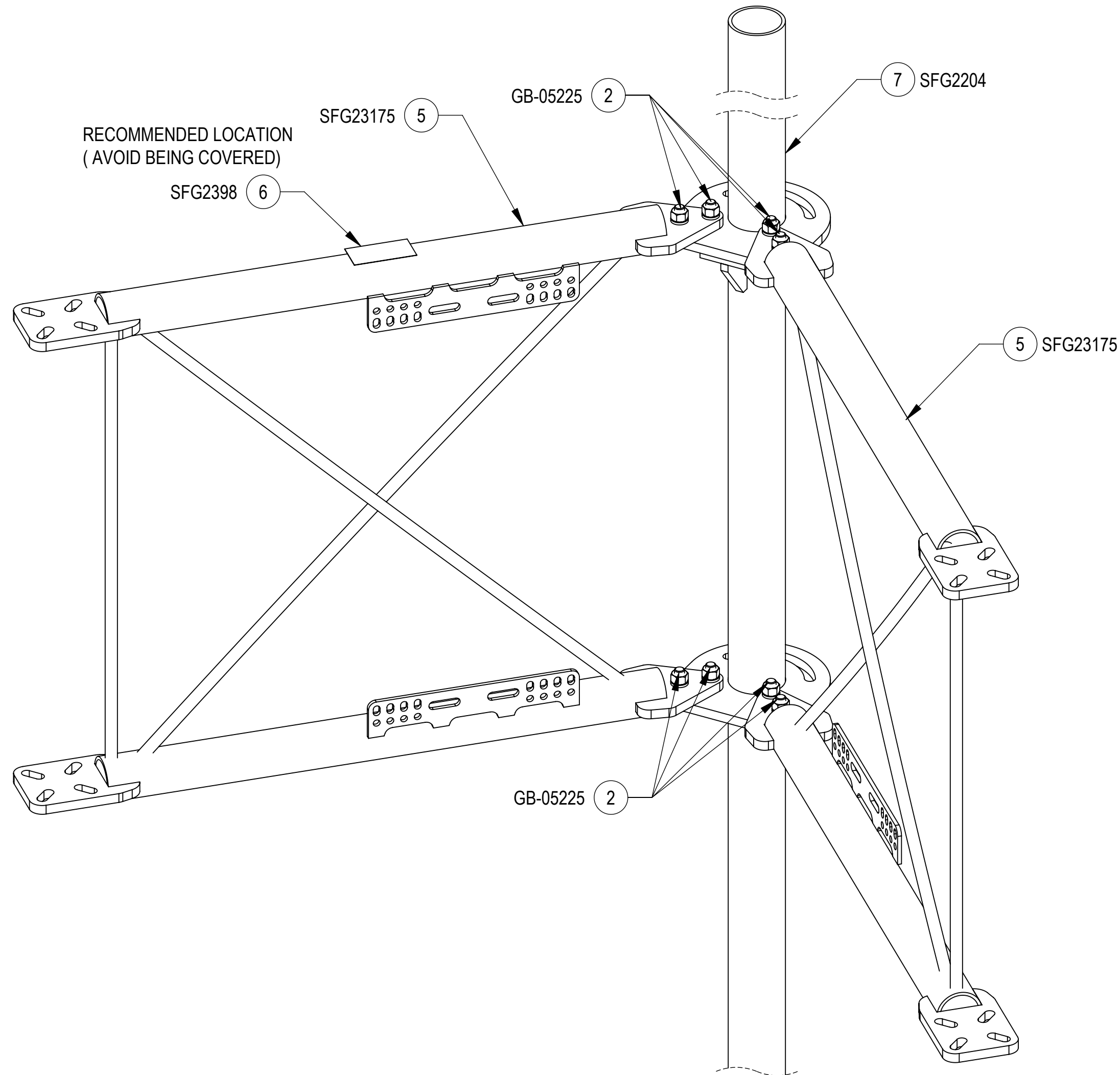
2

1

INSTALLATION SEQUENCE - REFERENCE ONLY

STEP 1: ATTACH STANDOFF ARMS (SFG23175) TO BACK VERTICAL ARM MOUNT (SFG2204) USING (GB-05225) BOLT KITS

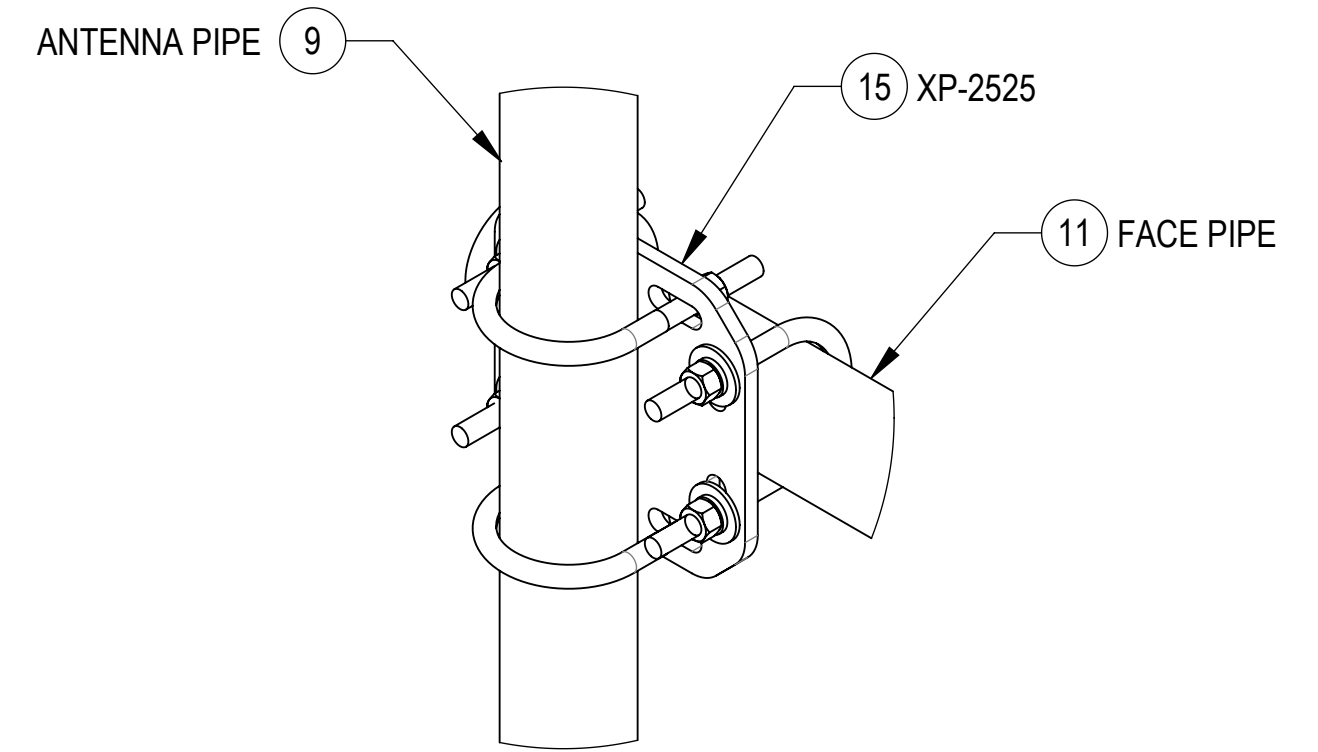
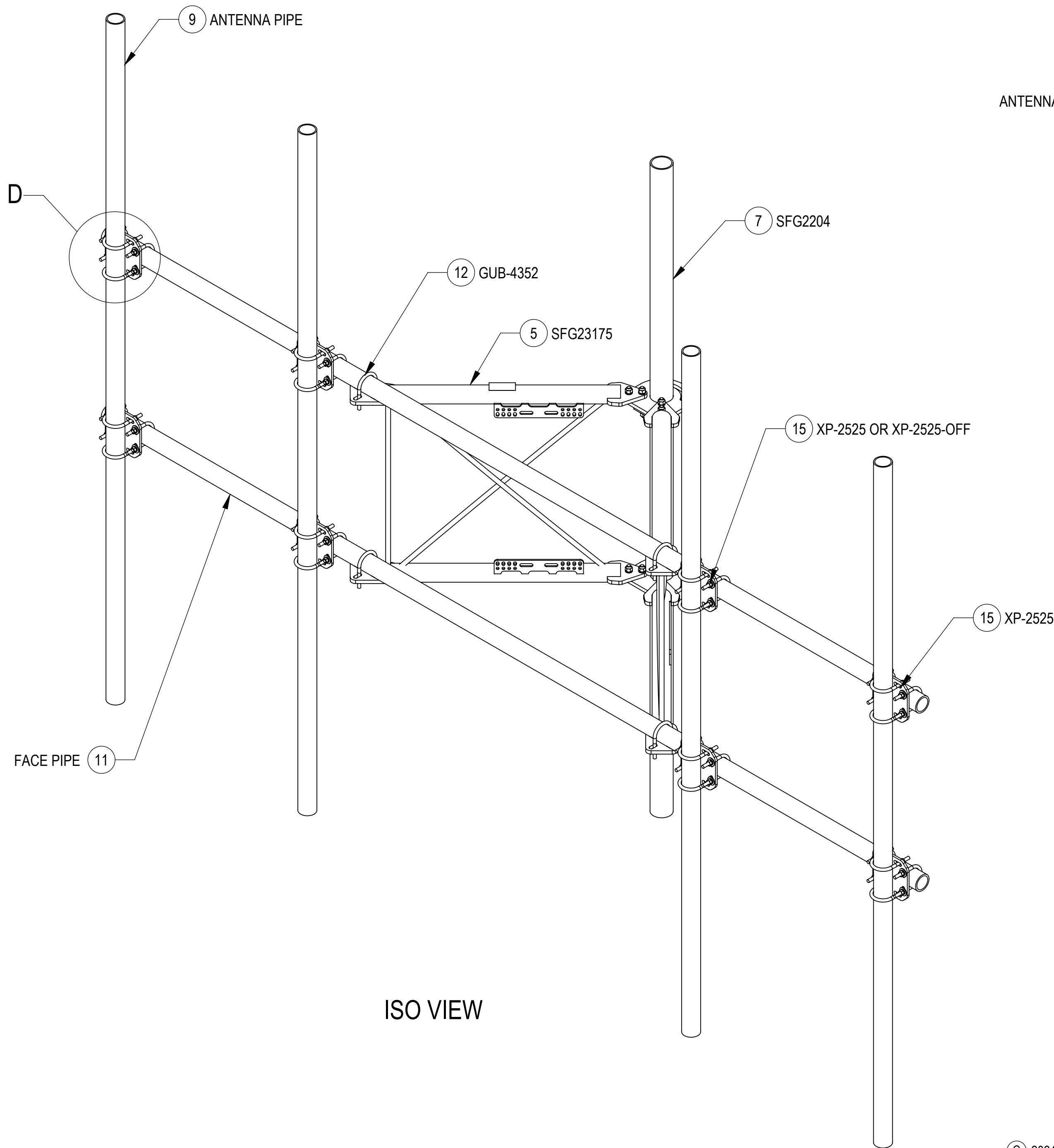
ATTACH LABEL (SFG2398) ON TOP OF STANDOFF ARMS(SFG23175) . (WIPE GALVANIZED SURFACE WITH ALCOHOL CLEANER BEFORE APPLYING LABEL.)



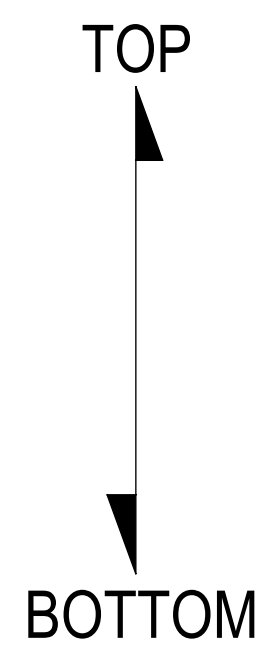
ISO VIEW

COMMSCOPE, INC. OF NORTH CAROLINA				
TITLE MCG23RHDX SERIES				
SIZE C	SCALE 1:4	DOCUMENT NO. MCG23RHDX		
		DRAWING		SHEET 6 OF 10
		VERSION 06	STATUS RE	

STEP 2: ATTACH FACE PIPES TO STANDOFF ARMS (SFG23175) USING U-BOLTS (GUB-4352)
AND THEN ATTACH ANTENNA PIPES TO FACE PIPES USING CROSSOVER PLATE KITS (XP-2525 OR XP-2525-OFF)



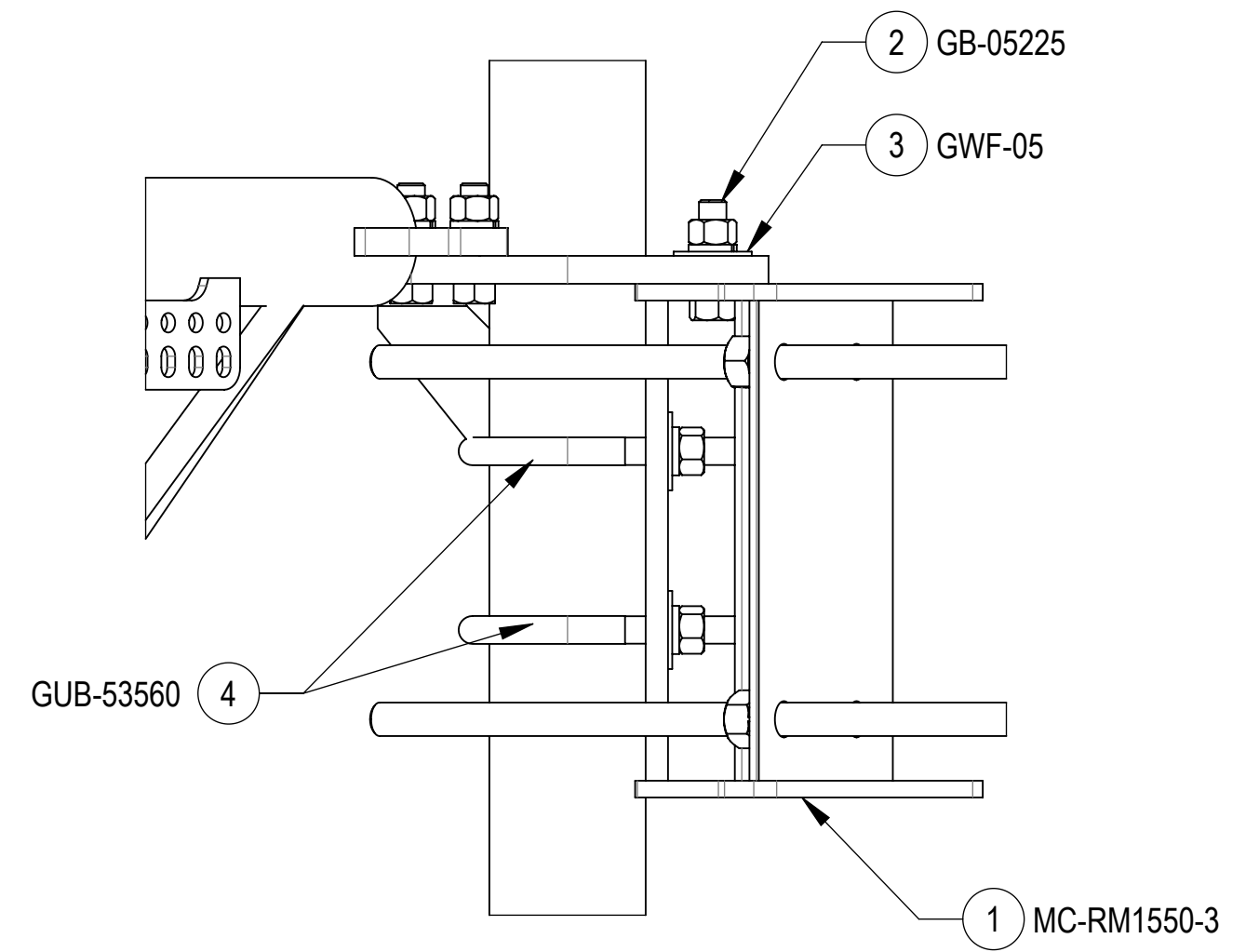
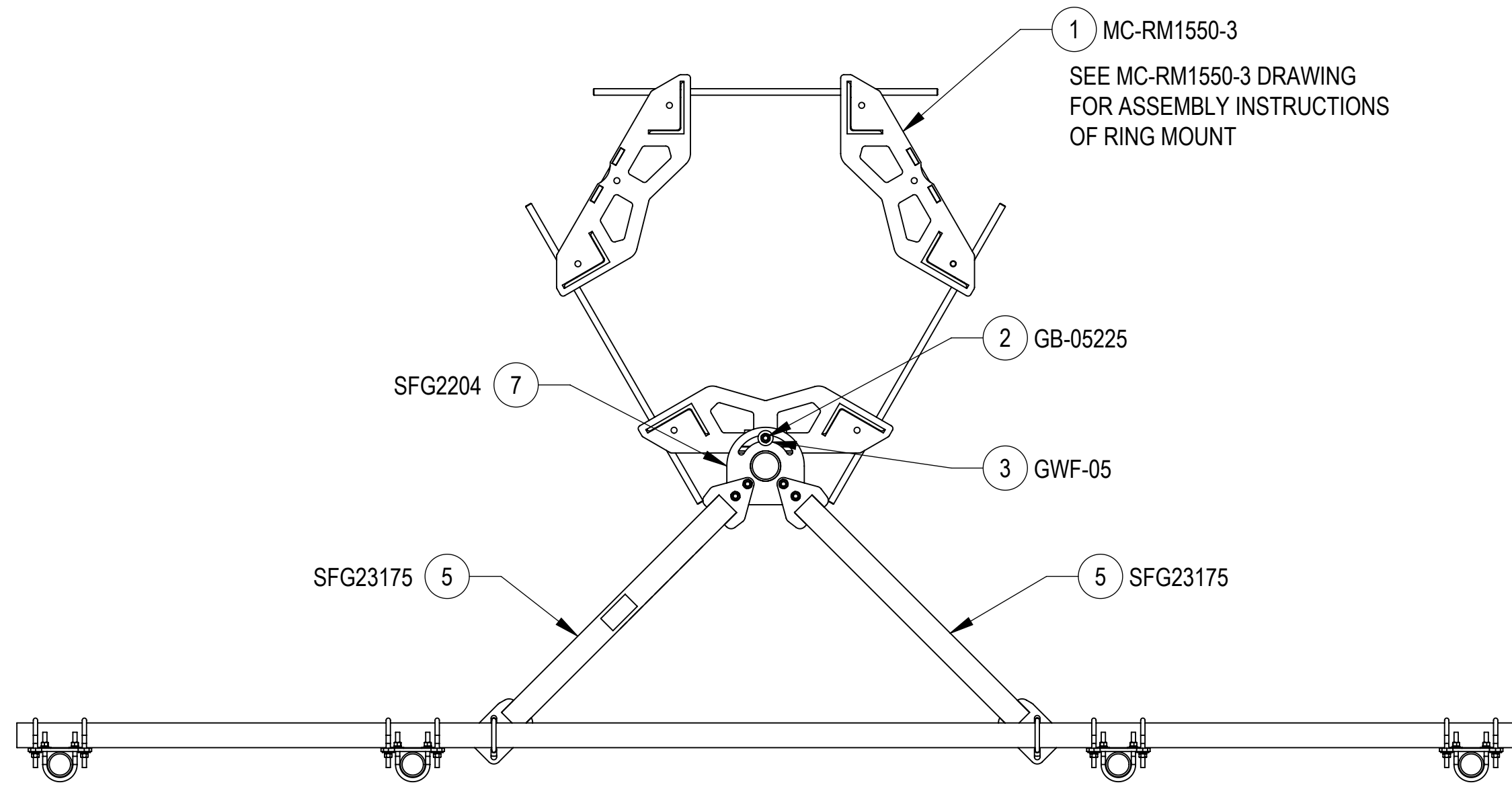
DETAIL D
SCALE 1 : 4



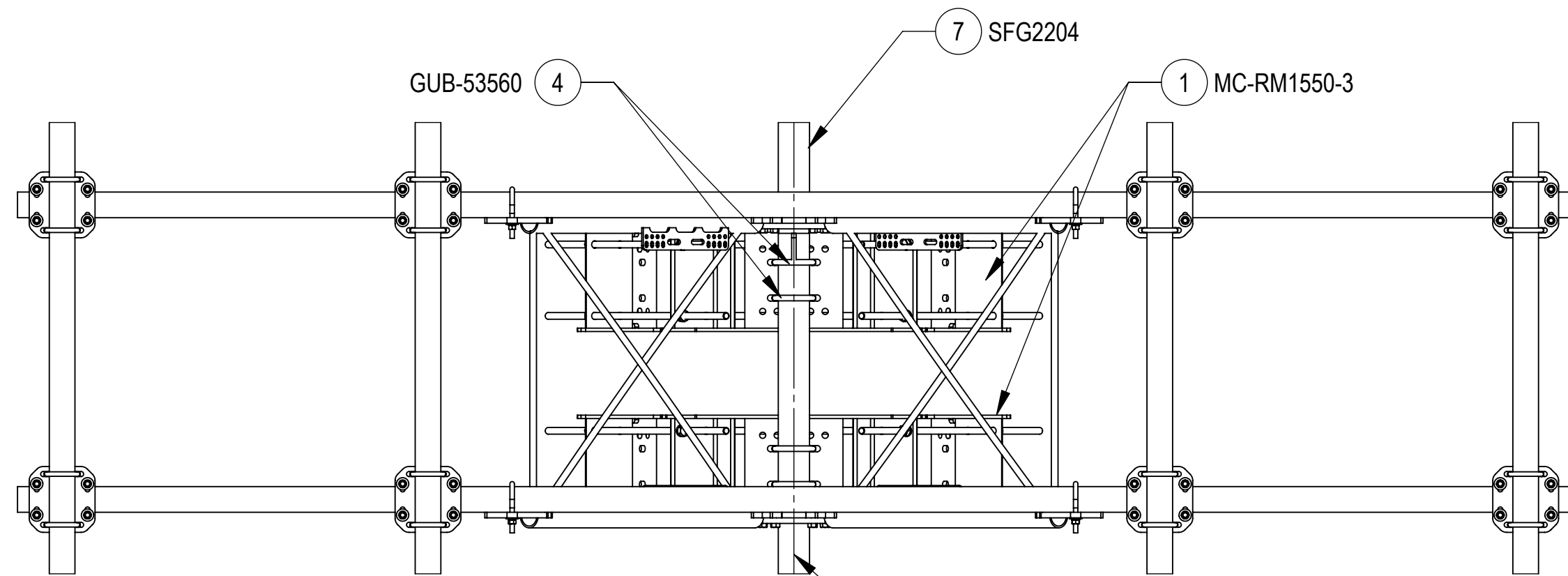
ISO VIEW

COMMSCOPE, INC. OF NORTH CAROLINA				
TITLE MCG23RHDX SERIES				
SIZE C	SCALE 1:12	DOCUMENT NO. MCG23RHDX		
		DRAWING		SHEET
		VERSION 06	STATUS RE	REVISION F
				7 OF 10

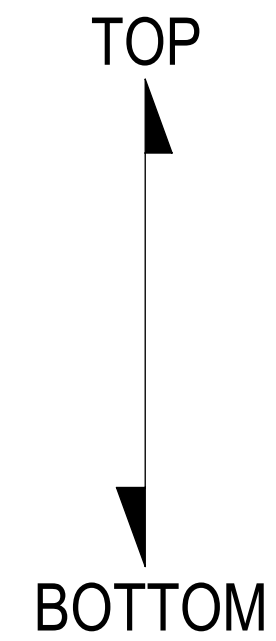
STEP 3: ATTACH BACK VERTICAL ARM MOUNT (SFG2204) TO RING MOUNTS (MC-RM1550-3) USING BOLT KITS (GB-05225), FLAT WASHERS (GWF-05) AND U-BOLT (GUB-53560)



SIDE CROP VIEW



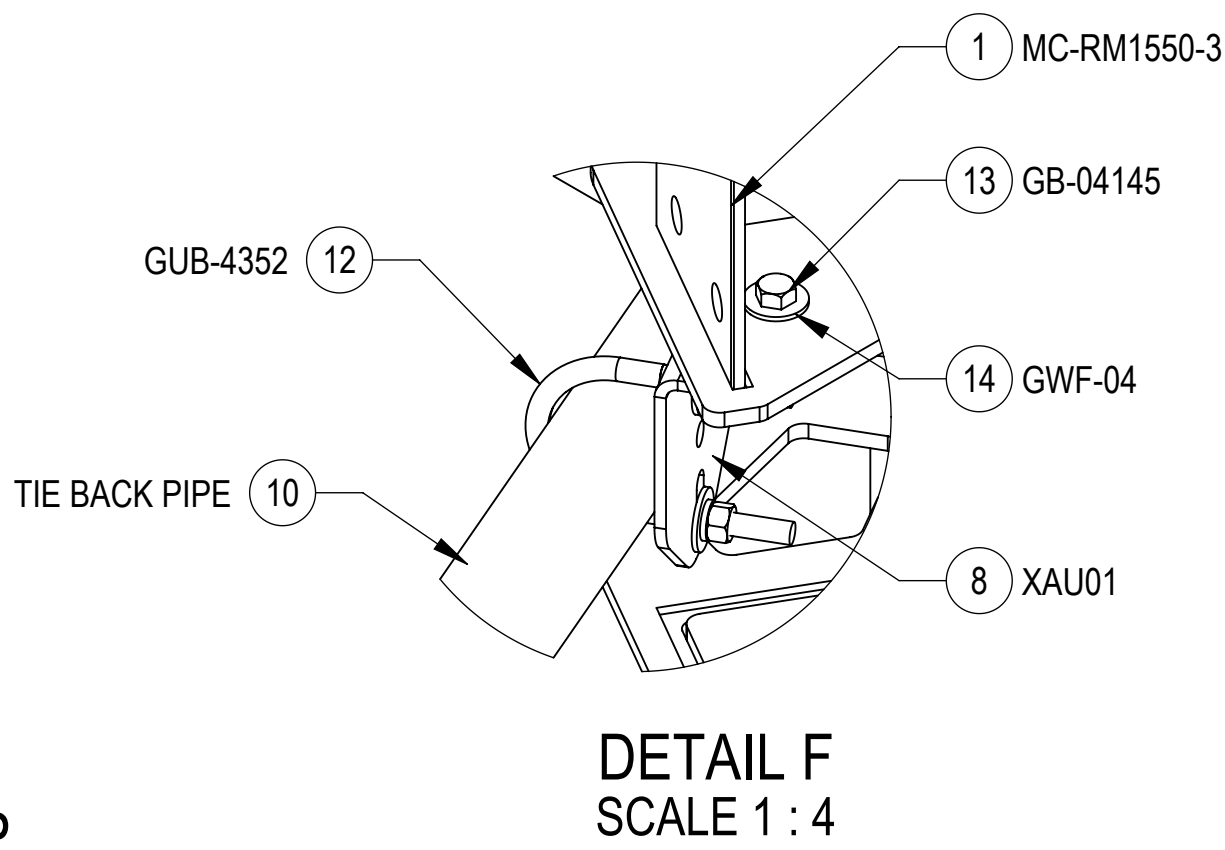
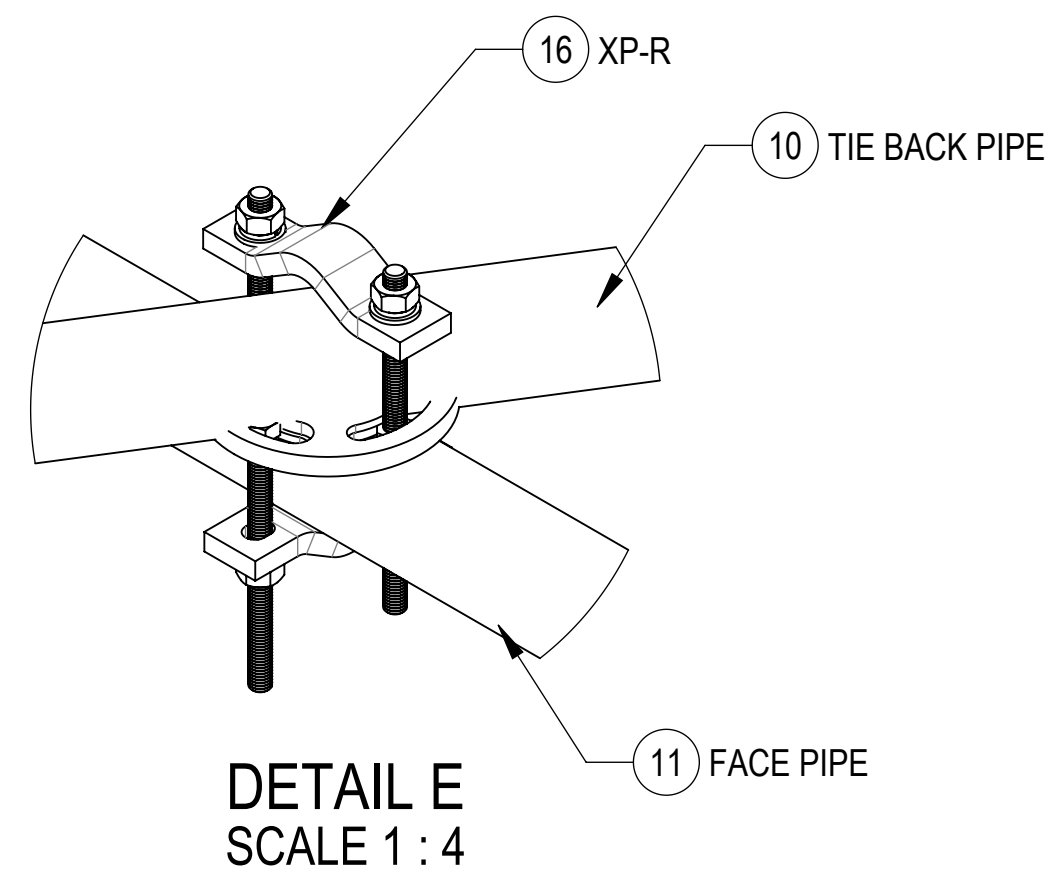
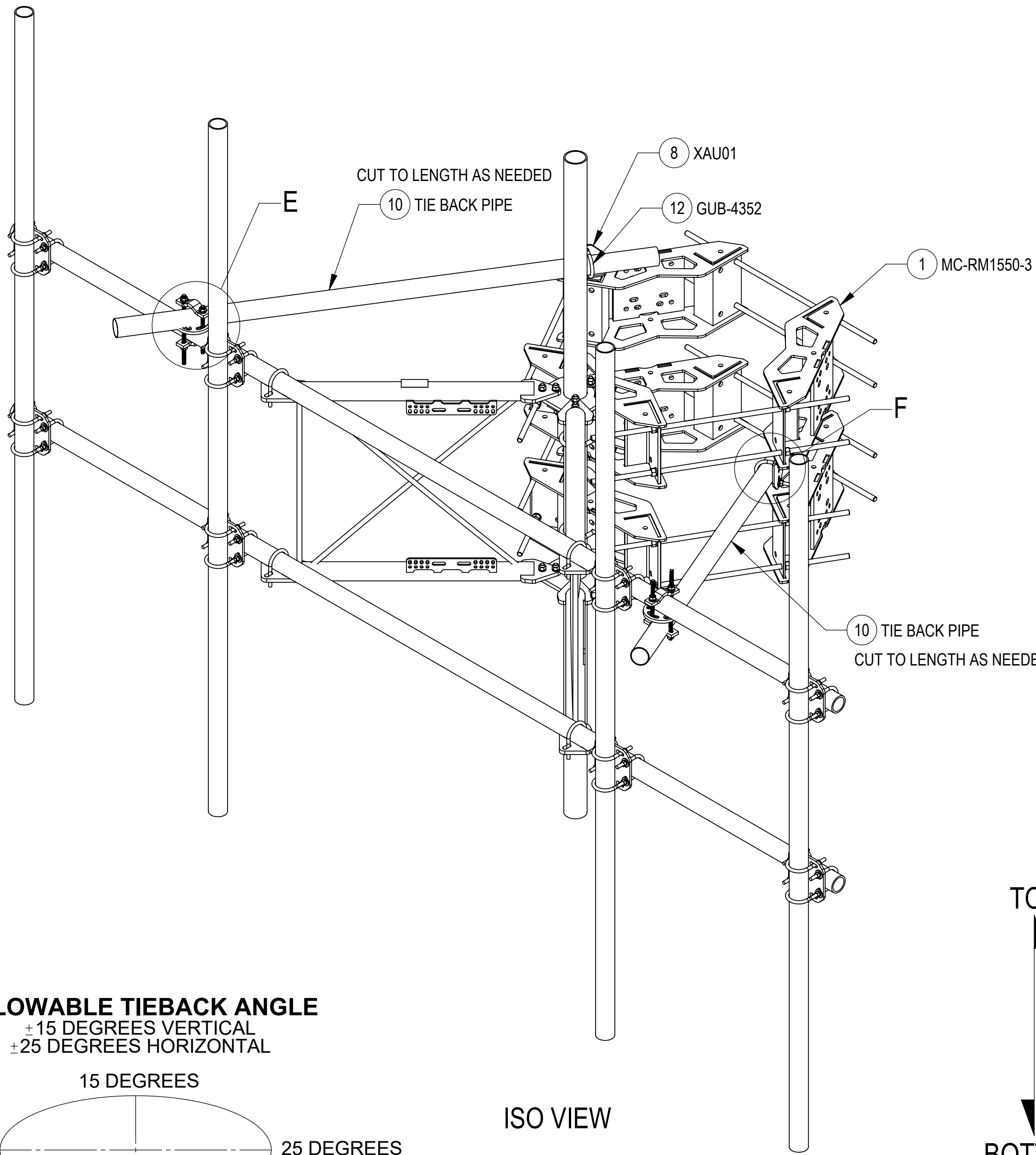
RING MOUNT SECTOR CENTERLINES MUST VERTICALLY ALIGN TO ALLOW SECTOR FRAME SPINE PROPER MOUNTING



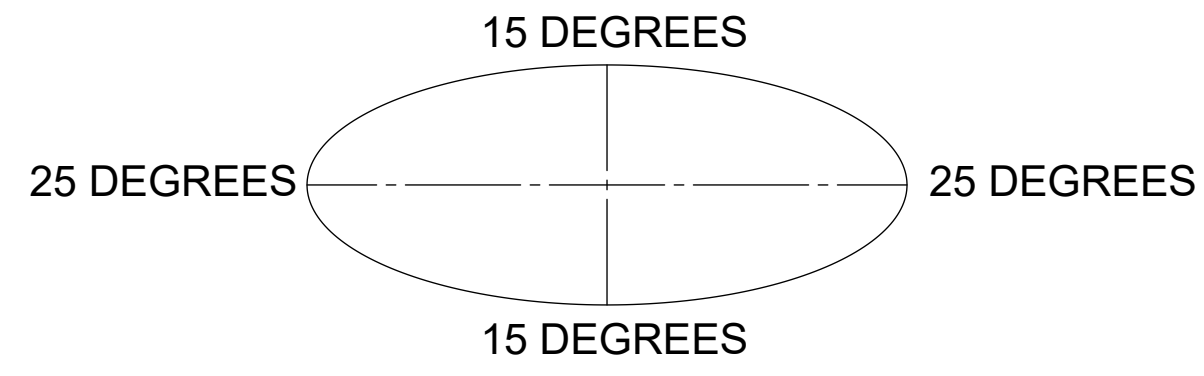
COMMSCOPE, INC. OF NORTH CAROLINA				
TITLE				
MCG23RHDX SERIES				
SIZE	SCALE	DOCUMENT NO.		
C	1:8	MCG23RHDX		
		DRAWING		SHEET
		VERSION	STATUS	REVISION
		06	RE	F
				8 OF 10

STEP 4: ATTACH TIE BACK PIPES TO FACE PIPES USING XP-R

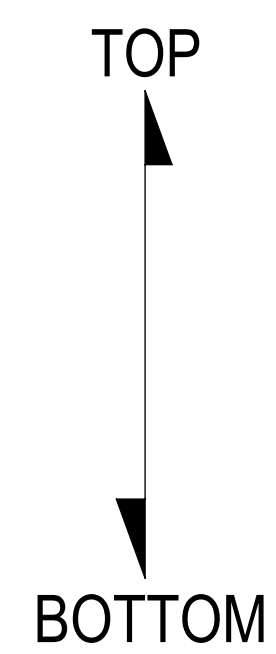
STEP 5: ATTACH TIE BACK PIPES TO RING MOUNTS (MC-RM1550-3) USING CROSSOVER ANGLES (XAU01), BOLT KITS (GB-04145), FLAT WASHER (GWF-04) AND U-BOLT (GUB-4352)



ALLOWABLE TIEBACK ANGLE
 ±15 DEGREES VERTICAL
 ±25 DEGREES HORIZONTAL

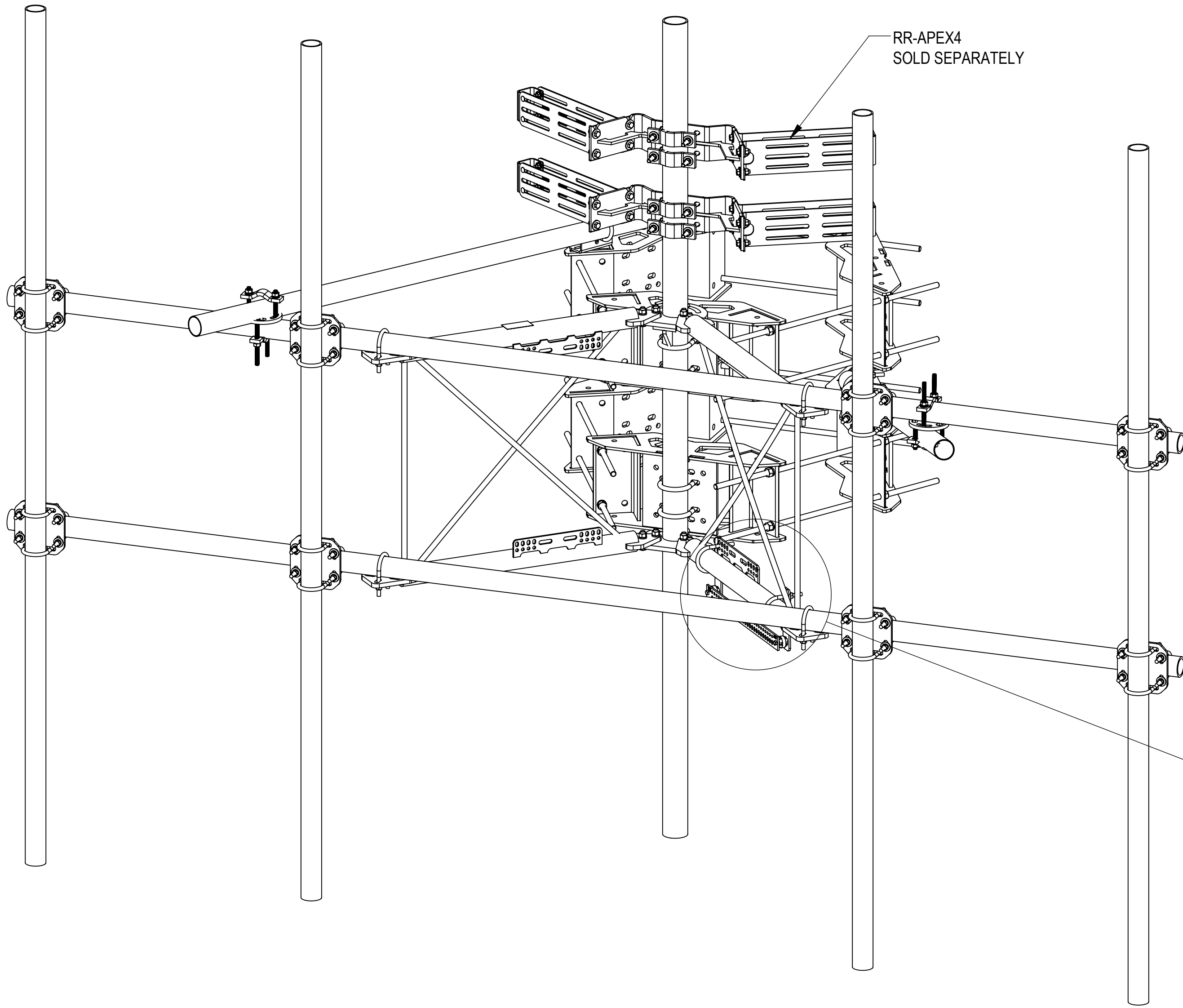


ISO VIEW

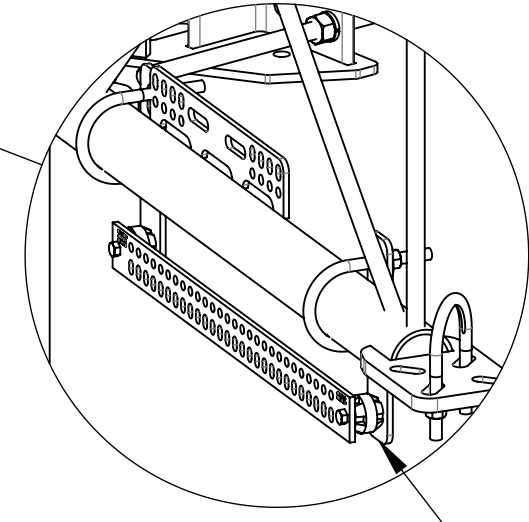


COMMSCOPE, INC. OF NORTH CAROLINA				
TITLE MCG23RHDX SERIES				
SIZE C	SCALE 1:16	DOCUMENT NO. MCG23RHDX		
DRAWING		VERSION	STATUS	REVISION
		06	RE	F
				SHEET 9 OF 10

OPTIONAL ACCESSORIES:

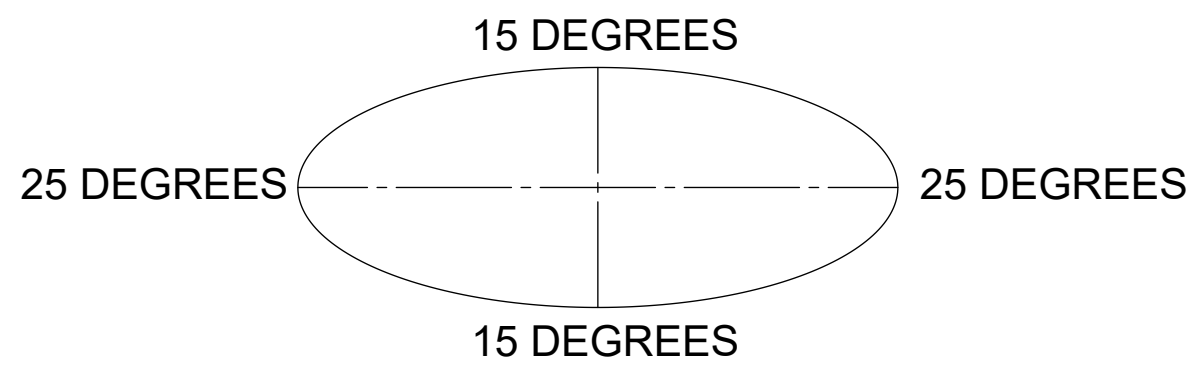


RR-APEX4
SOLD SEPARATELY



DETAIL G
SCALE 1 : 8
GBSF278
SOLD SEPARATELY

ALLOWABLE TIEBACK ANGLE
± 15 DEGREES VERTICAL
± 25 DEGREES HORIZONTAL



COMMSCOPE, INC. OF NORTH CAROLINA				
TITLE MCG23RHDX SERIES				
SIZE C	SCALE 1:16	DOCUMENT NO. MCG23RHDX		
		DRAWING		SHEET
		VERSION	STATUS	REVISION
		06	RE	F
				10 OF 10