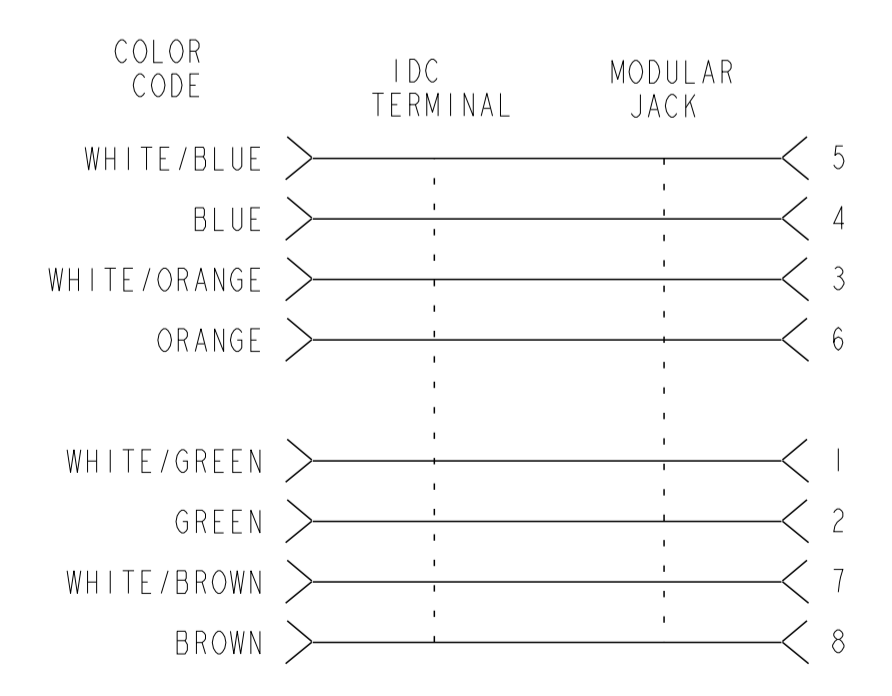
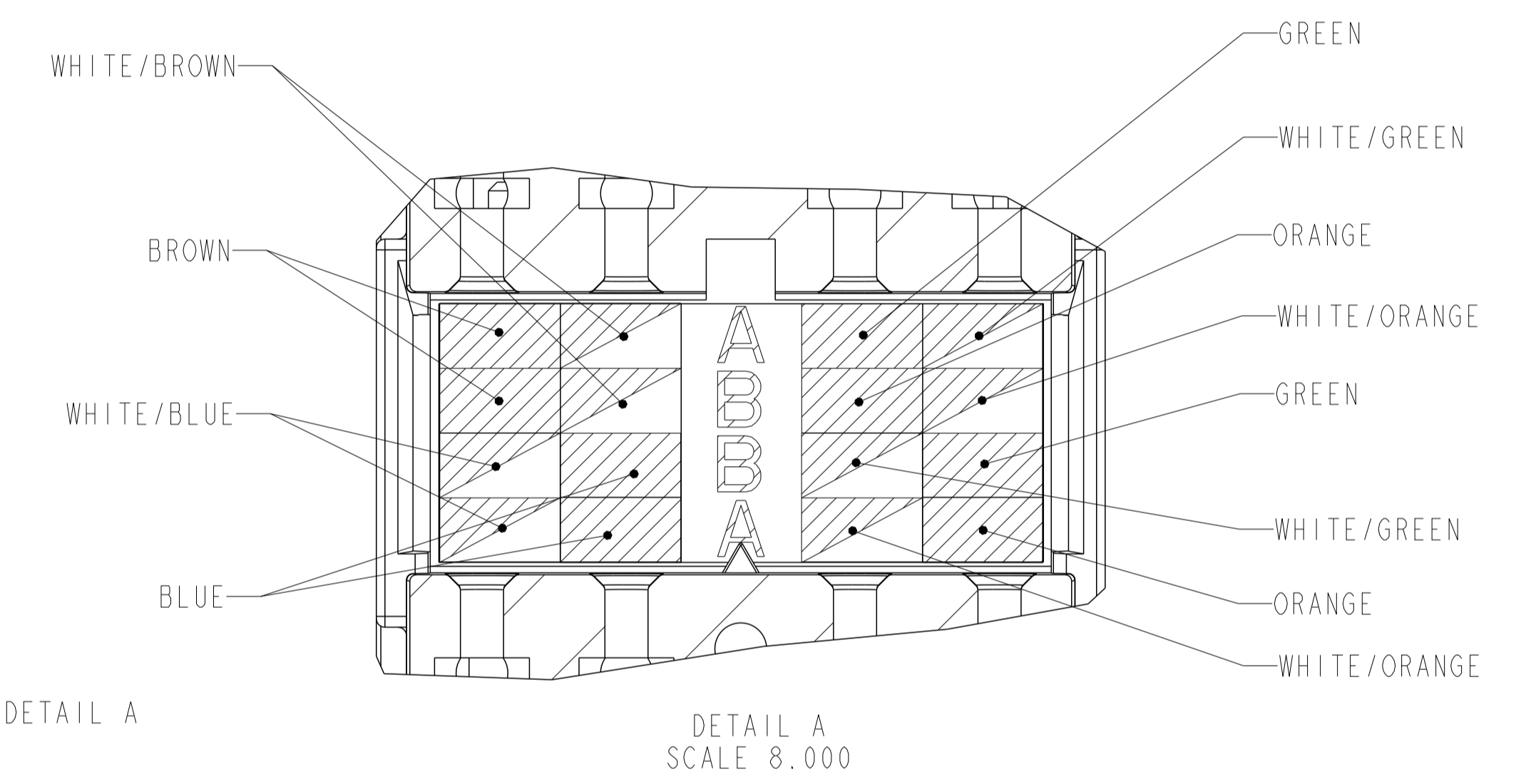
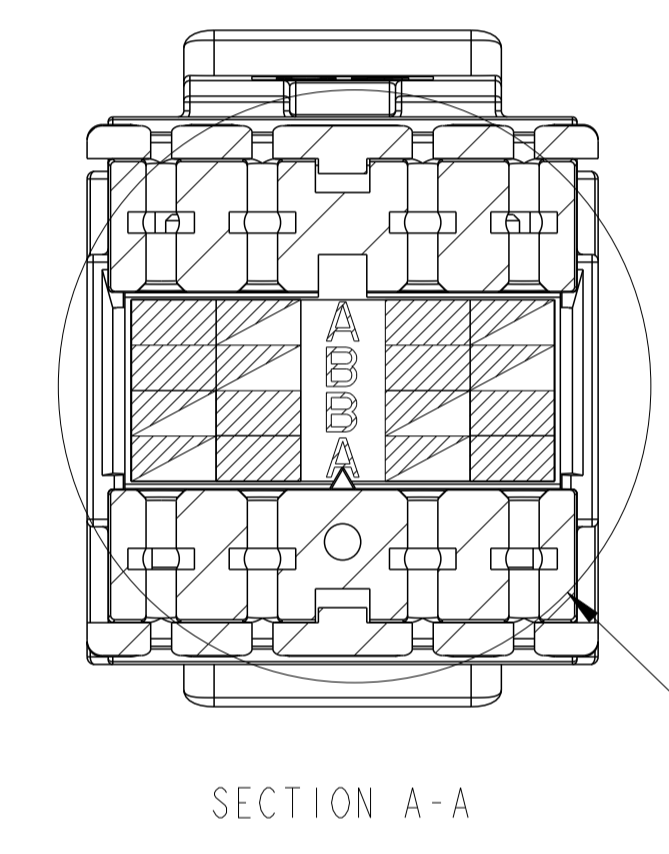
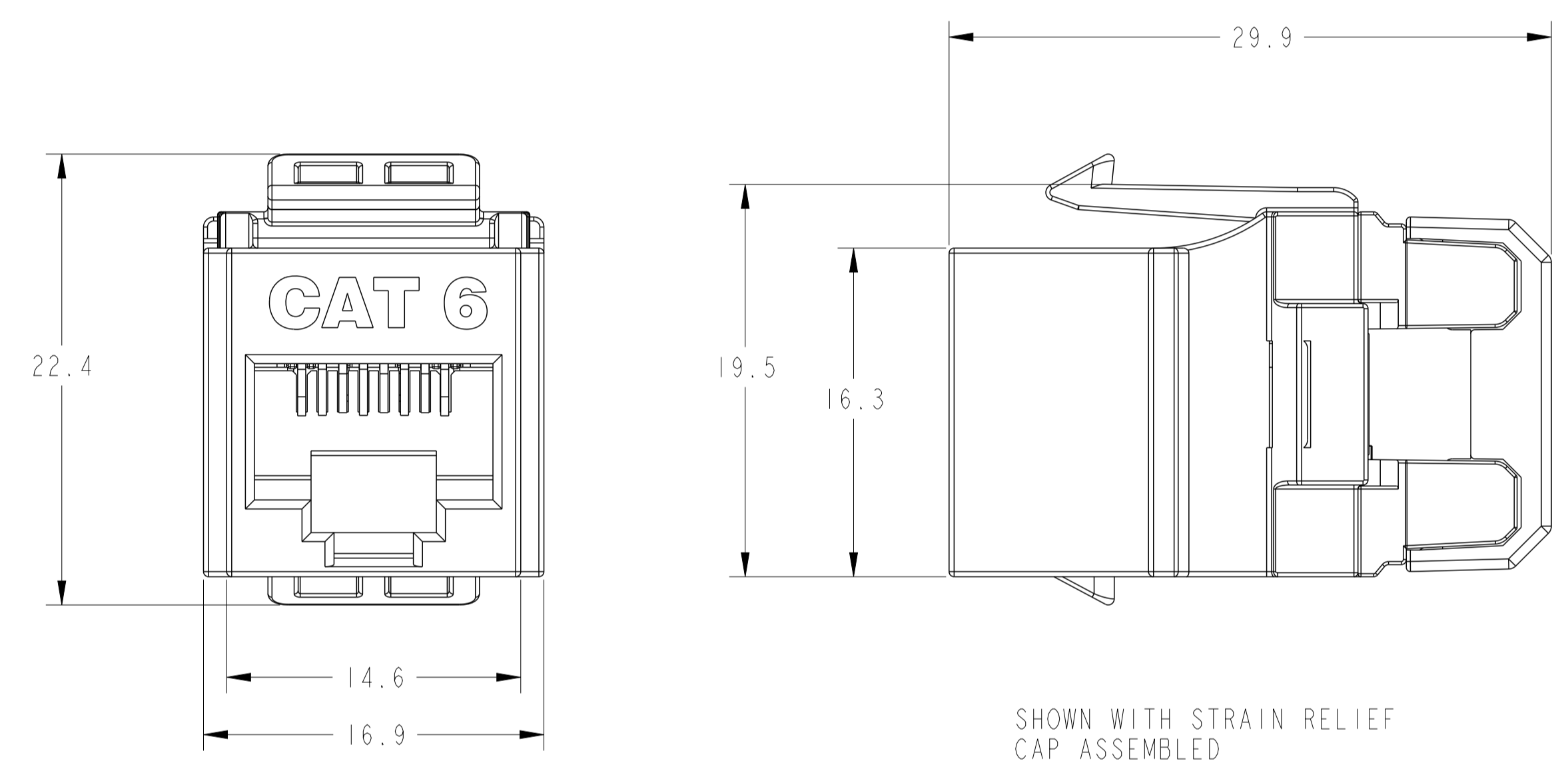
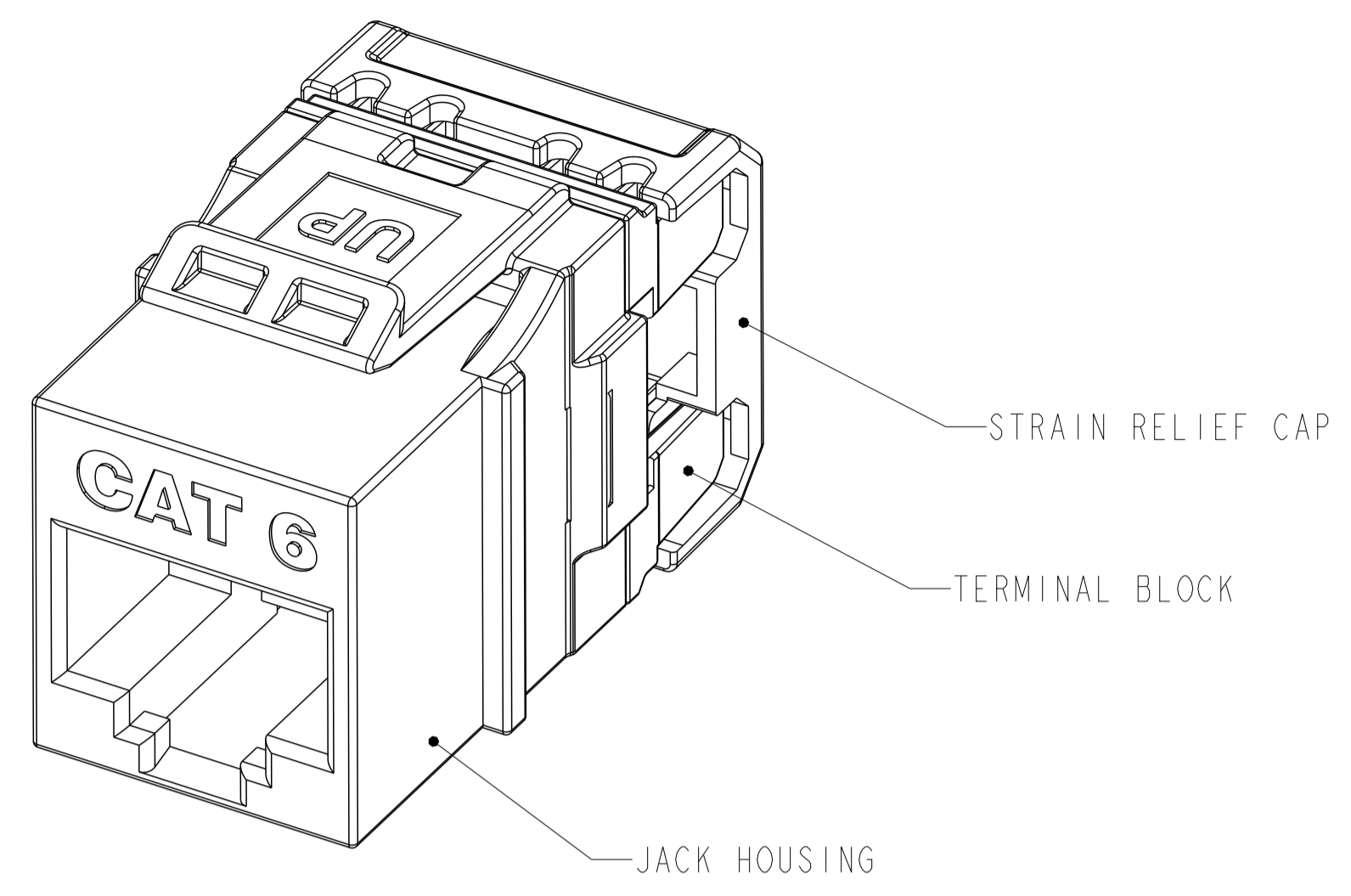
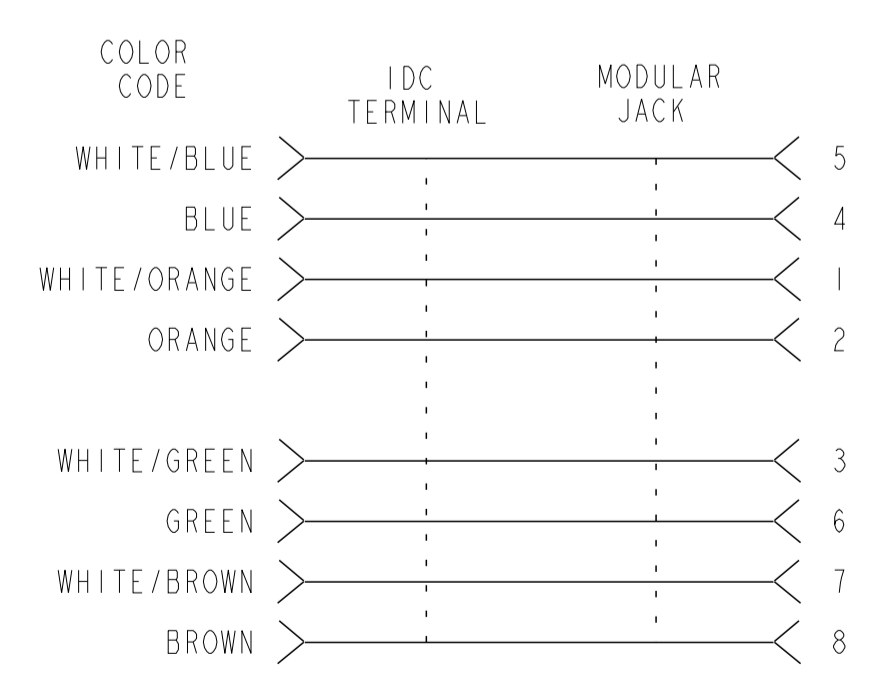


REVISIONS			
REV	CMO	DATE	APPROVED
A	40144738CMO	16-MAR-2022	MB

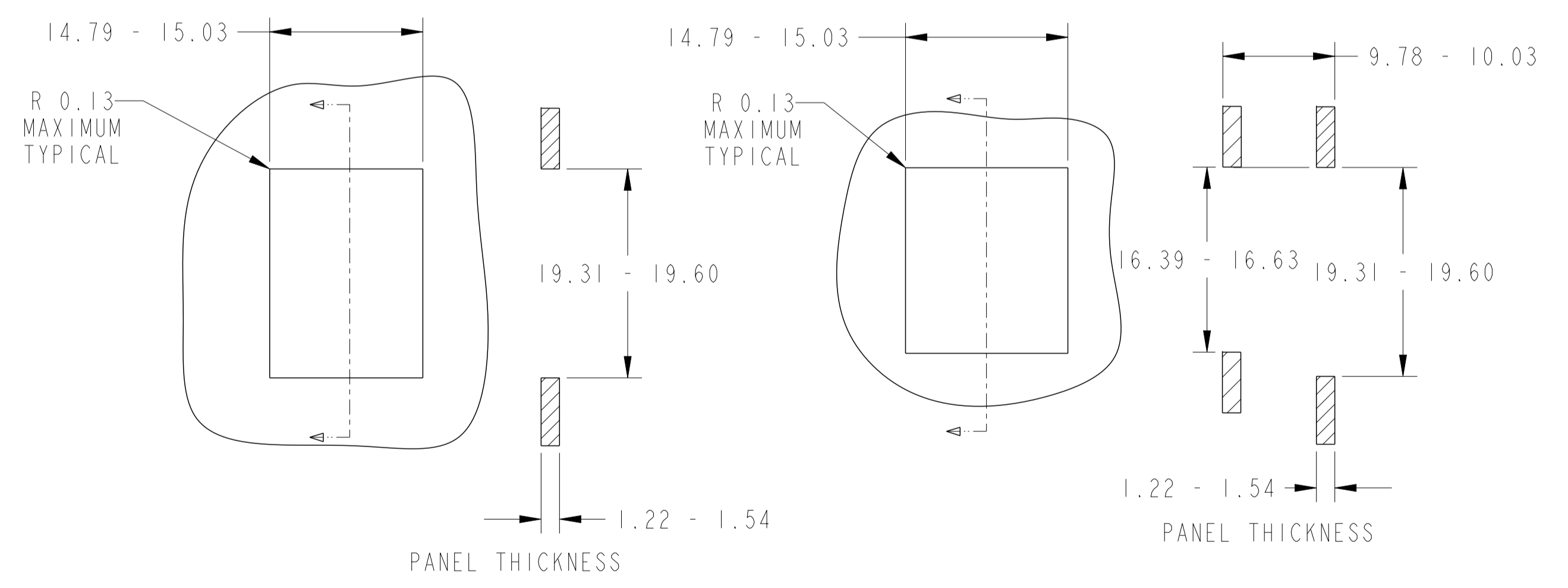
- ⚠ MATERIAL: JACK HOUSING - 94V-0 RATED THERMOPLASTIC.
JACK CONTACTS ARRAY - COPPER ALLOY, PLATED WITH GOLD IN LOCALIZED AREA AND MATTE TIN IN BOARD INTERFACE AREA OVER NICKEL UNDERPLATE.
IDC TERMINALS - COPPER ALLOY, PLATED WITH MATTE TIN OVER NICKEL UNDERPLATE.
- 2. JACK WILL TERMINATE 22-26 AWG SOLID AND 22-26 AWG STRANDED CABLE CONDUCTORS.
- 3. MOUNTING PANEL THICKNESS 1.22 - 1.55.
- ⚠ 4. THESE TWO SUGGESTED CUTOUT OPENINGS ARE USED IN TANDEM WITH DUAL FRONT AND BACK CUTOUTS.



ELECTRICAL SCHEMATIC T568A



ELECTRICAL SCHEMATIC T568B



SUGGESTED FLUSH MOUNT PANEL APPLICATION CUTOUT ⚠ 4

TOLERANCE TABLE	
ALL THE DIMENSIONS ARE IN MM, UNLESS OTHERWISE SPECIFIED	
0 PLACES	± 0.5
1 PLACES	± 0.3
2 PLACES	± 0.2
ANGLE TOL	± 0.5°

⚠	BLACK	760253632
MATERIAL	HOUSING COLOR	MID
COMMSCOPE, INC.		
DRAFTER	AMIT B.	
ENGINEER	MANJUNATH B.	
TITLE	KJ-C6 JACK, BLK KJ-C6 JACK, BLK	
SIZE	SCALE	DOCUMENT NO.
A	4.000	760253632-C
CUSTOMER DRAWING		REVISION SHEET
A		1 OF 1